

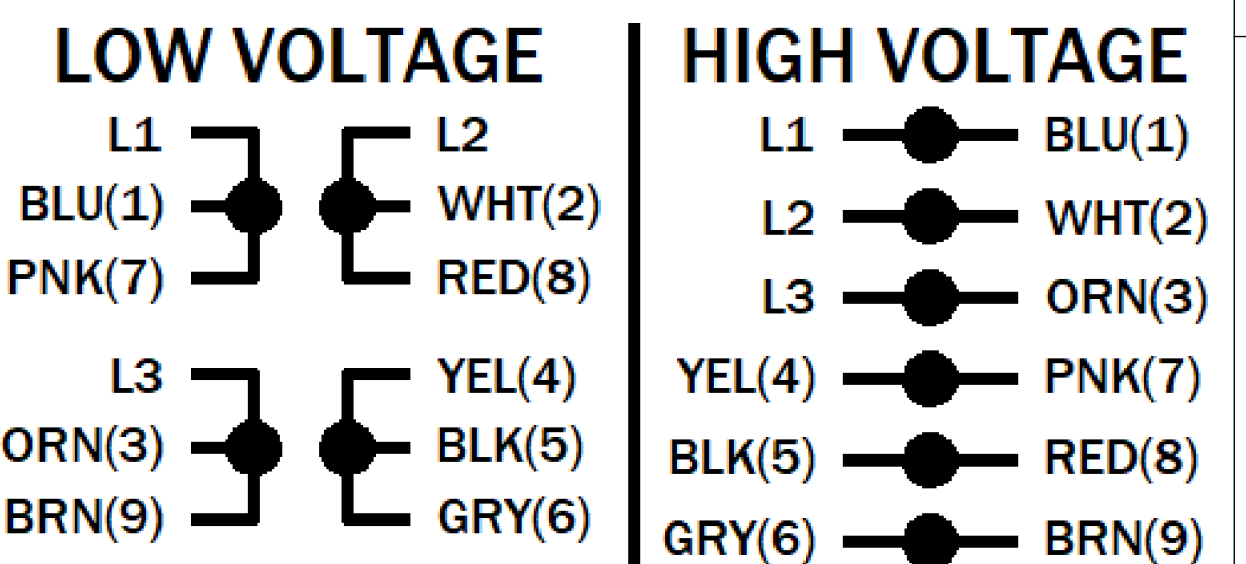
UNLESS OTHERWISE SPECIFIED DIMENSIONS WITHOUT TOLERANCES ARE REFERENCE ONLY

NOTES

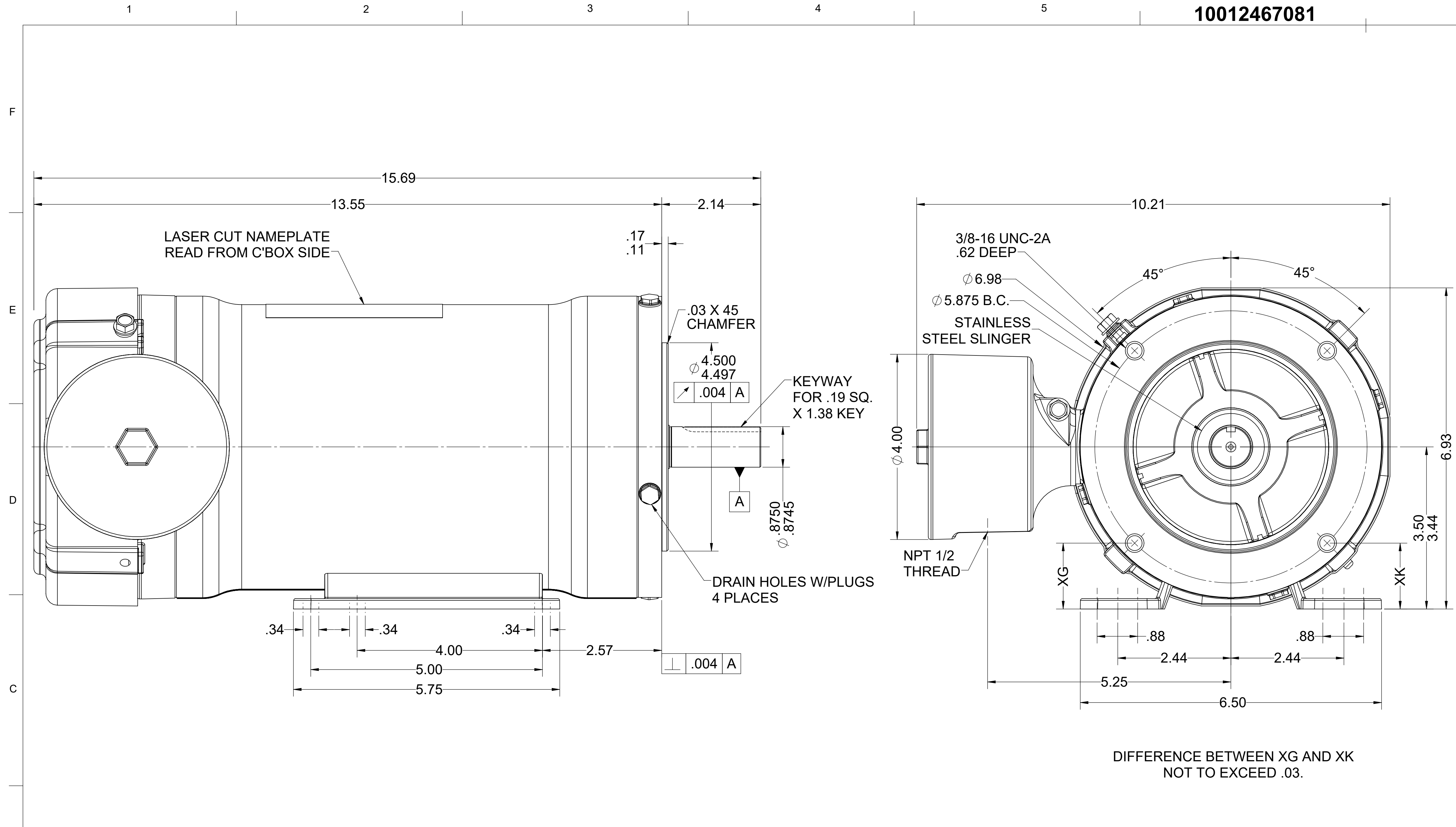
LEADS

TERMINAL BLOCK PLUS GROUND

EXTERNAL CONNECTIONS



DIFFERENCE BETWEEN XG AND XK NOT TO EXCEED .03.



MOTOR DATA

|                                  |                            |  |                    |  |                           |
|----------------------------------|----------------------------|--|--------------------|--|---------------------------|
| <b>TYPE</b> POLY - INVERTER DUTY |                            | <b>SHAFT MATERIAL</b> 304 S.S. EXTENSION |                    | <b>CUSTOMER NAME</b> WEG                     |                           |
| <b>HZ</b> 60                     | <b>HZ</b> 50               | <b>FRAME</b> 145TC                       | <b>PHASE</b> 3     | <b>CUSTOMER PART NUMBER</b> 00158ET3EHD145TC |                           |
| <b>VOLTS</b> 230/460             | <b>VOLTS</b> 190/380       | <b>ENCLOSURE</b> TEFC                    | <b>PAINT</b> NONE  | <b>VIEWING LEAD END</b>                      | <b>MOTOR ROTATION</b> REV |
| <b>HP[kW]</b> 1.5 [- ]           | <b>SF</b> 1.15             | <b>HP[kW]</b> 1.0 [0.746]                | <b>SF</b> 1.0      | <b>ENVIRONMENT</b> WASHDOWN                  | <b>BEARINGS</b> BALL      |
| <b>RPM</b> 1750                  | <b>RPM</b> 1460            | <b>I.P.CODE</b> IP69K                    | <b>END CAP</b> N/R | <b>ASSEMBLY VOLTAGE</b> HIGH                 |                           |
| <b>F.L. AMPS</b> 4.26/2.13       | <b>F.L. AMPS</b> 4.14/2.07 | <b>NEMA NOM. EFF.</b> 86.5%              | <b>IE3</b> 82.5%   | <b>THERMAL PROTECTION TYPE</b> NONE          |                           |
| <b>S.F. AMPS</b> 4.8/2.4         | <b>S.F. AMPS</b> -         |  |                    | <b>MOUNTING POSITION</b> ALL POSITIONS       |                           |
| <b>TIME RATE</b> CONT            | <b>MAX AMB</b> 40          |  |                    | <b>WINDING AND TEST SPEC</b> -               |                           |
| <b>KVA CODE</b> N                | <b>INS CLASS</b> F         |  |                    | <b>DRAWN: DMILOSTAN 09/20/24</b>             |                           |

| ECN | REV | CHANGE DESCRIPTION   | DATE/INITIALS |
|-----|-----|--|---------------|
| -   | 02  | UPDATE TO IE3. CHANGED ASSEMBLY ROTATION TO CW, UPDATED RPM, FLA, AND KVA CODE | 06/12/2025 IT |

THE INFORMATION DISCLOSED HEREIN INCLUDES PROPRIETARY RIGHTS OF WEG. ANY REPRODUCTION OR TRANSFERRAL OF INFORMATION FROM THIS DOCUMENT IS FORBIDDEN WITHOUT PRIOR CONSENT.

SIZE **D** DWG NO. **10012467081**

SCALE: 3:4 DO NOT SCALE DRAWING SHEET 1 OF 2

10012467081