

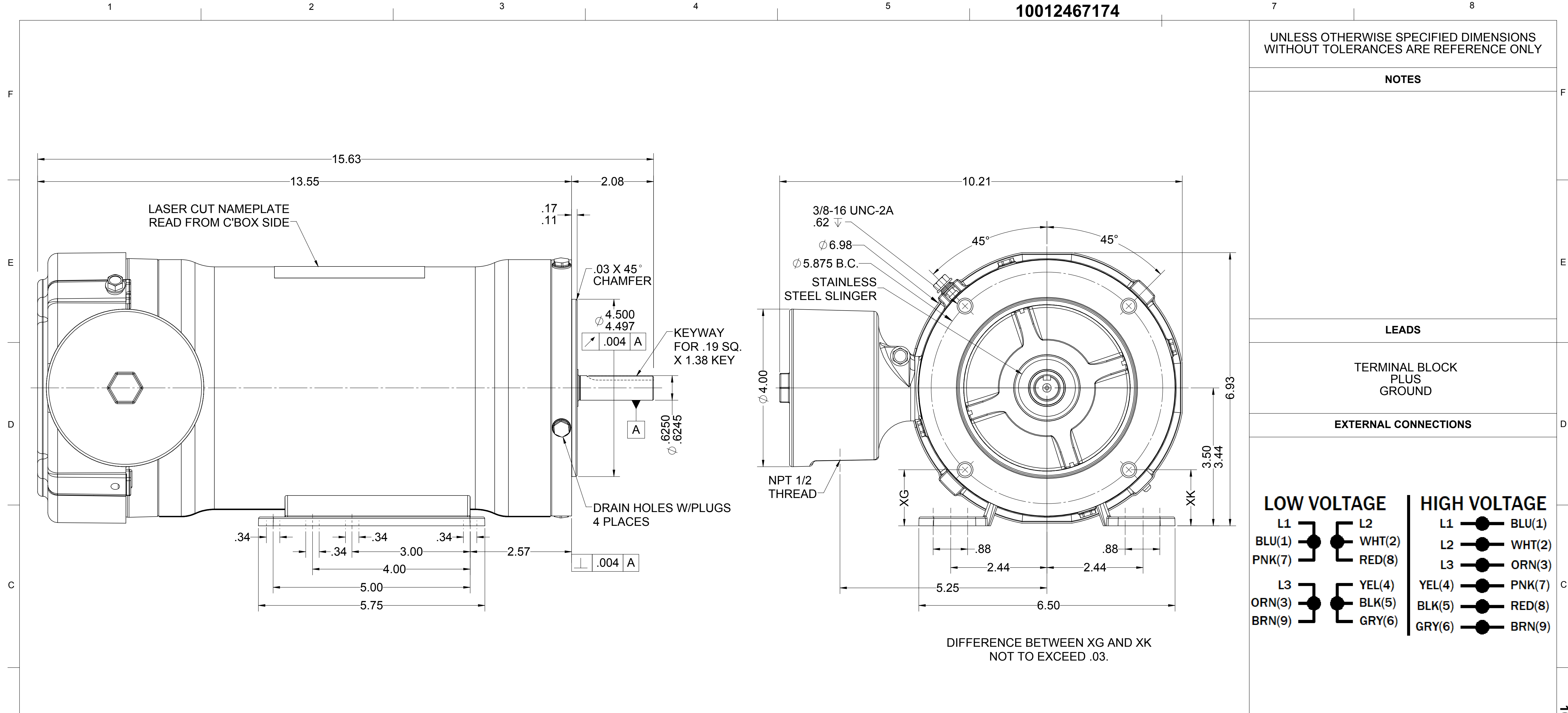
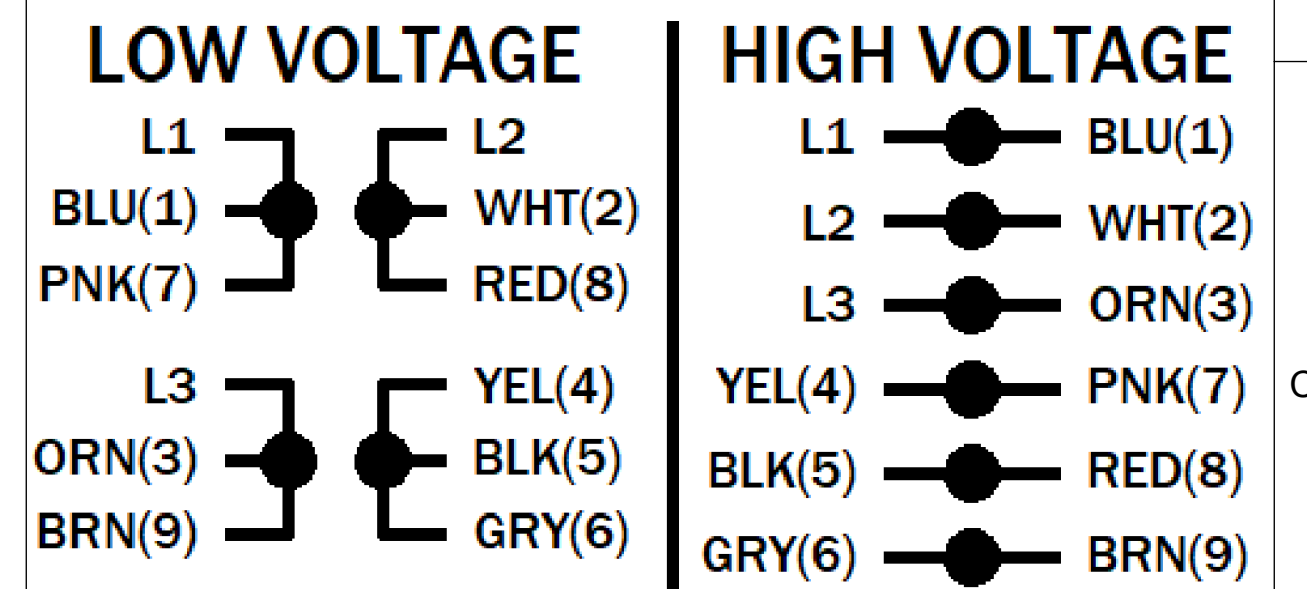
UNLESS OTHERWISE SPECIFIED DIMENSIONS WITHOUT TOLERANCES ARE REFERENCE ONLY

NOTES

LEADS

TERMINAL BLOCK PLUS GROUND

EXTERNAL CONNECTIONS



DIFFERENCE BETWEEN XG AND XK NOT TO EXCEED .03.

MOTOR DATA

TYPE		POLY - INVERTER DUTY		SHAFT MATERIAL		304 S.S. EXTENSION		CUSTOMER NAME		WEG HYDRODUTY	
HZ		60		HZ		50		FRAME		56C	
VOLTS		230/460		VOLTS		190/380		ENCLOSURE		TEFC	
HP[kW]		1.0 [-]		SF		1.15		ENVIRONMENT		WASHDOWN	
RPM		1750		RPM		1455		I.P.CODE		IP69K	
F.L. AMPS		3.1/1.55		F.L. AMPS		3.07/1.54		NEMA NOM. EFF.		85.5%	
S.F. AMPS		3.4/1.7		S.F. AMPS		-		IE2		77.1%	
PHASE		3		PAINT		NONE		VIEWING LEAD END		MOTOR ROTATION	
CUSTOMER PART NUMBER		00118ET3EHD56C		BEARINGS		BALL		ASSEMBLY ROTATION		CW	
ASSEMBLY VOLTAGE		HIGH		THERMAL PROTECTION TYPE		NONE		MOUNTING POSITION		ALL POSITIONS	
WINDING AND TEST SPEC		-		DRAWN:		DMILOSTAN 09/18/24		THE INFORMATION DISCLOSED HEREIN INCLUDES PROPRIETARY RIGHTS OF WEG. ANY REPRODUCTION OR TRANSFERRAL OF INFORMATION FROM THIS DOCUMENT IS FORBIDDEN WITHOUT PRIOR CONSENT.			

ECN	REV	CHANGE DESCRIPTION	DATE/INITIALS
	03	ADDED IE2 EFFICIENCY RATING. CORRECTED NEMA PREMIUM EFFICIENCY.	06/19/2025 ZM
SIZE	DWG NO.	10012467174	
D			
SCALE: 3:4	DO NOT SCALE DRAWING	SHEET 1 OF 2	

10012467174