

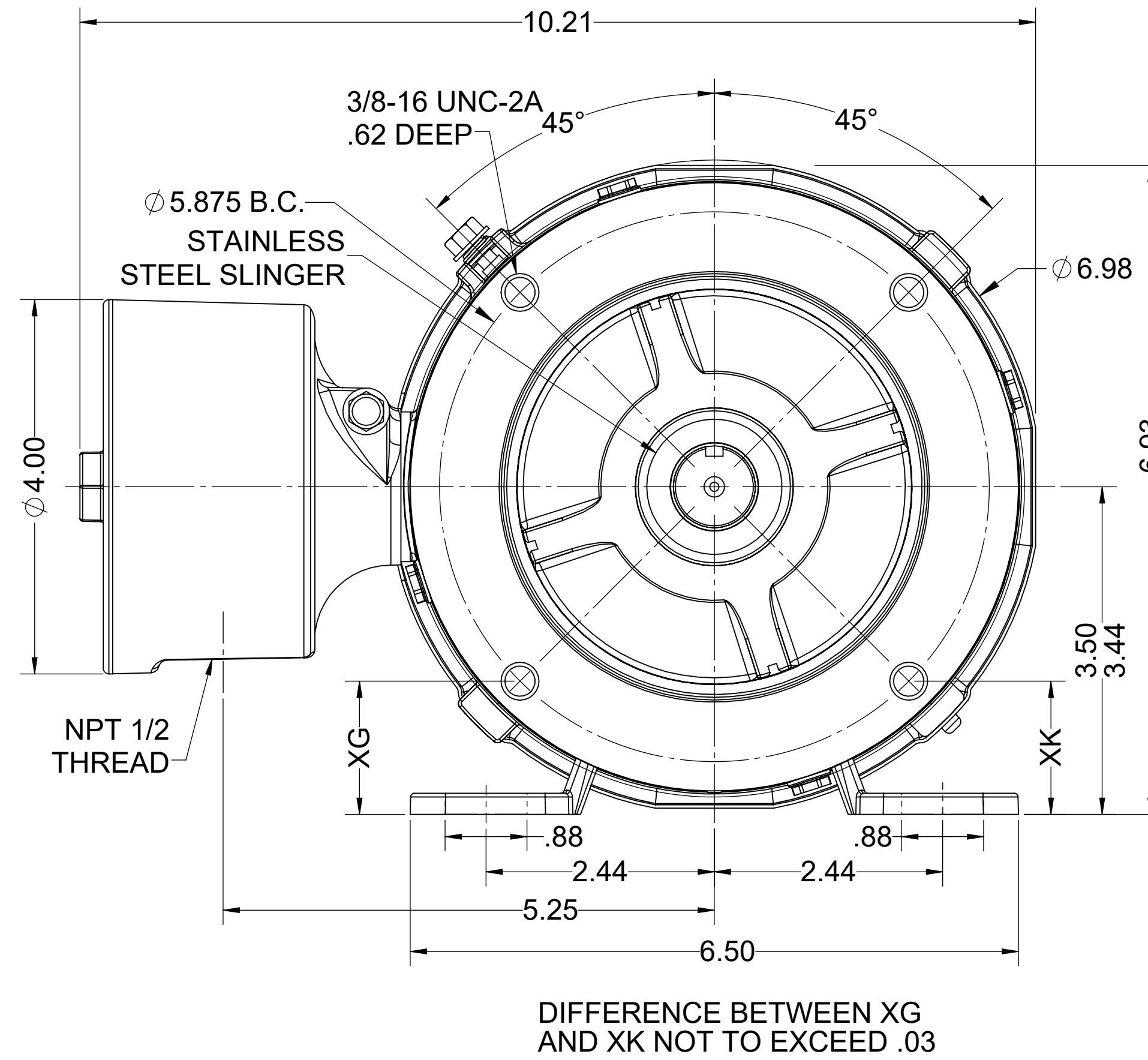
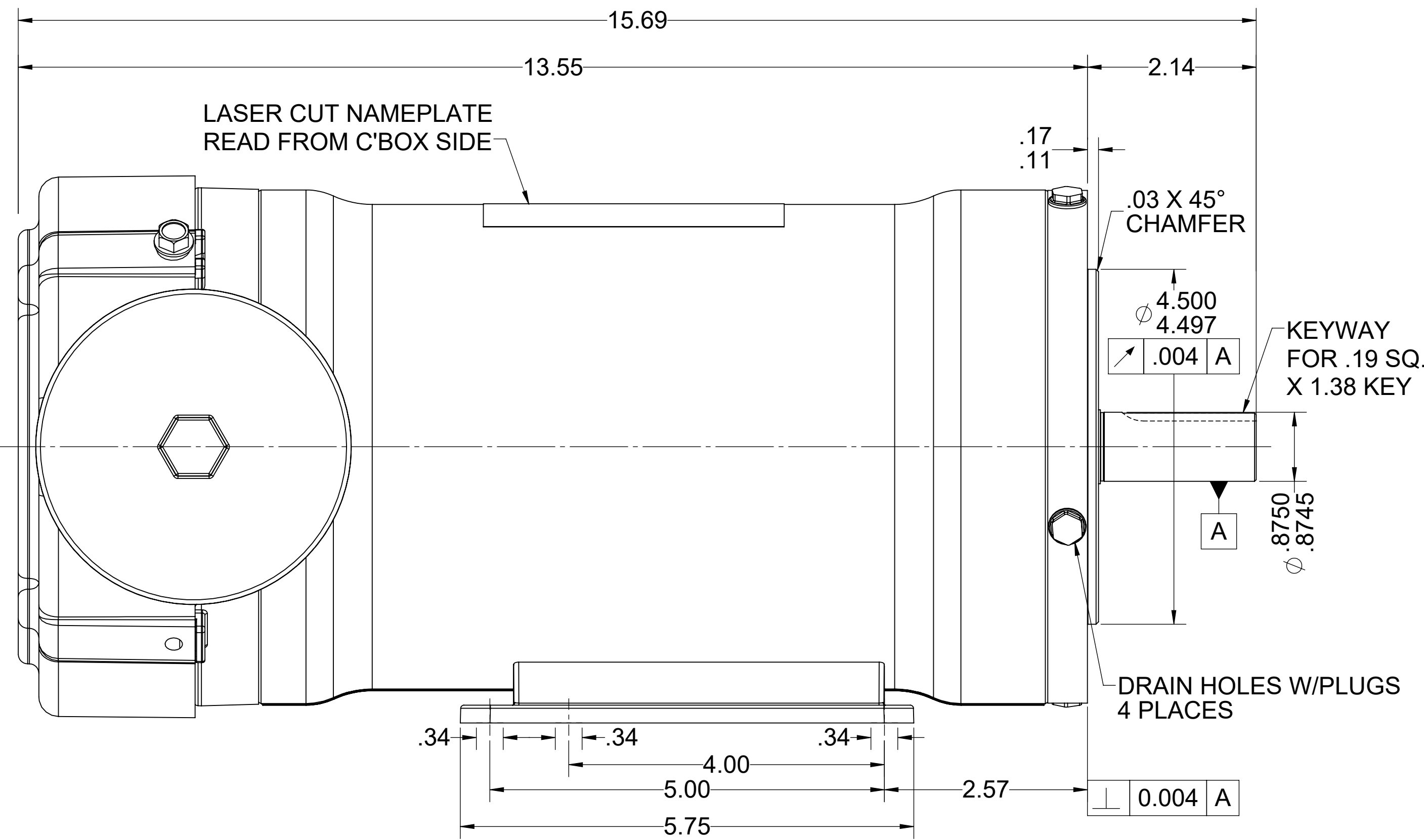
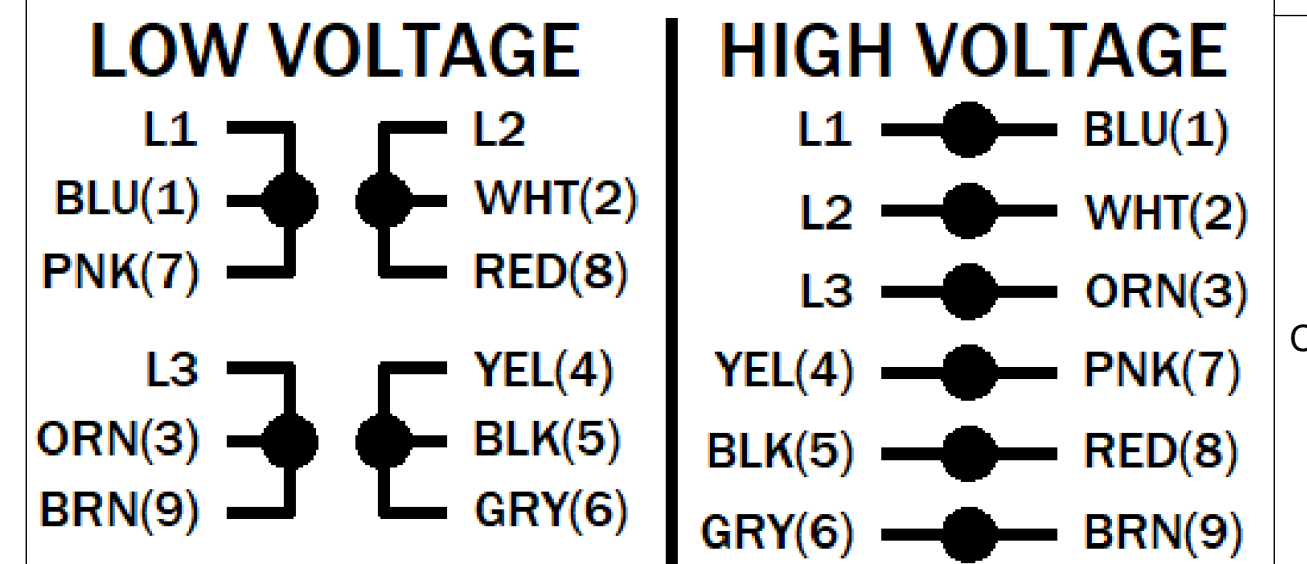
UNLESS OTHERWISE SPECIFIED DIMENSIONS WITHOUT TOLERANCES ARE REFERENCE ONLY

NOTES

LEADS

TERMINAL BLOCK PLUS GROUND

EXTERNAL CONNECTIONS



MOTOR DATA

TYPE		POLY - INVERTER DUTY		SHAFT MATERIAL		304 S.S. EXTENSION		CUSTOMER NAME		WEG HYDRODUTY			
HZ		60		HZ		50		FRAME		145TC			
VOLTS		230/460		VOLTS		190/380		ENCLOSURE		TEFC			
HP[kW]		3.0 [-]		SF		1.15		ENVIRONMENT		WASHDOWN			
RPM		3430		RPM		2875		I.P.CODE		IP69K			
F.L. AMPS		7.25/3.63		F.L. AMPS		6.14/3.07		NEMA NOM. EFF.		86.5%			
S.F. AMPS		9.0/4.5		S.F. AMPS		-		IE3		84.2%			
TIME RATE		CONT		MAX AMB		40		MOUNTING POSITION		ALL POSITIONS			
KVA CODE		L		INS CLASS		F		WINDING AND TEST SPEC		-			
DRAWN:		AZAHM		09/04/24		ASSEMBLY VOLTAGE		HIGH		THERMAL PROTECTION TYPE		NONE	

ECN	REV	CHANGE DESCRIPTION	DATE/INITIALS
-	02	ADDED MISSING CATALOG NUMBER AND UPDATED NEMA PREMIUM EFFICIENCY VALUE.	11/03/2025 ZM
THE INFORMATION DISCLOSED HEREIN INCLUDES PROPRIETARY RIGHTS OF WEG. ANY REPRODUCTION OR TRANSFERRAL OF INFORMATION FROM THIS DOCUMENT IS FORBIDDEN WITHOUT PRIOR CONSENT.			
SIZE	DWG NO.		
D	10012467254		
SCALE: 13:16	DO NOT SCALE DRAWING	SHEET 1 OF 1	

10012467254