



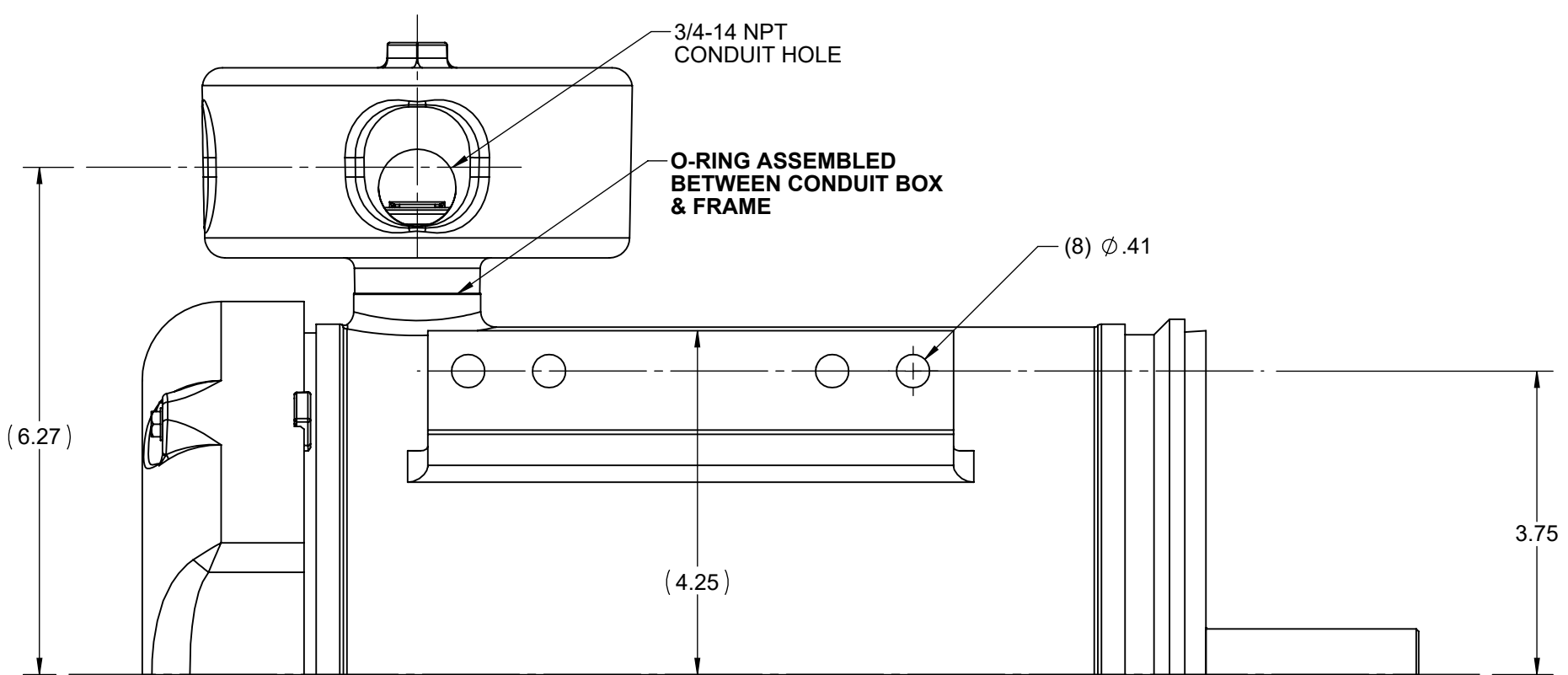
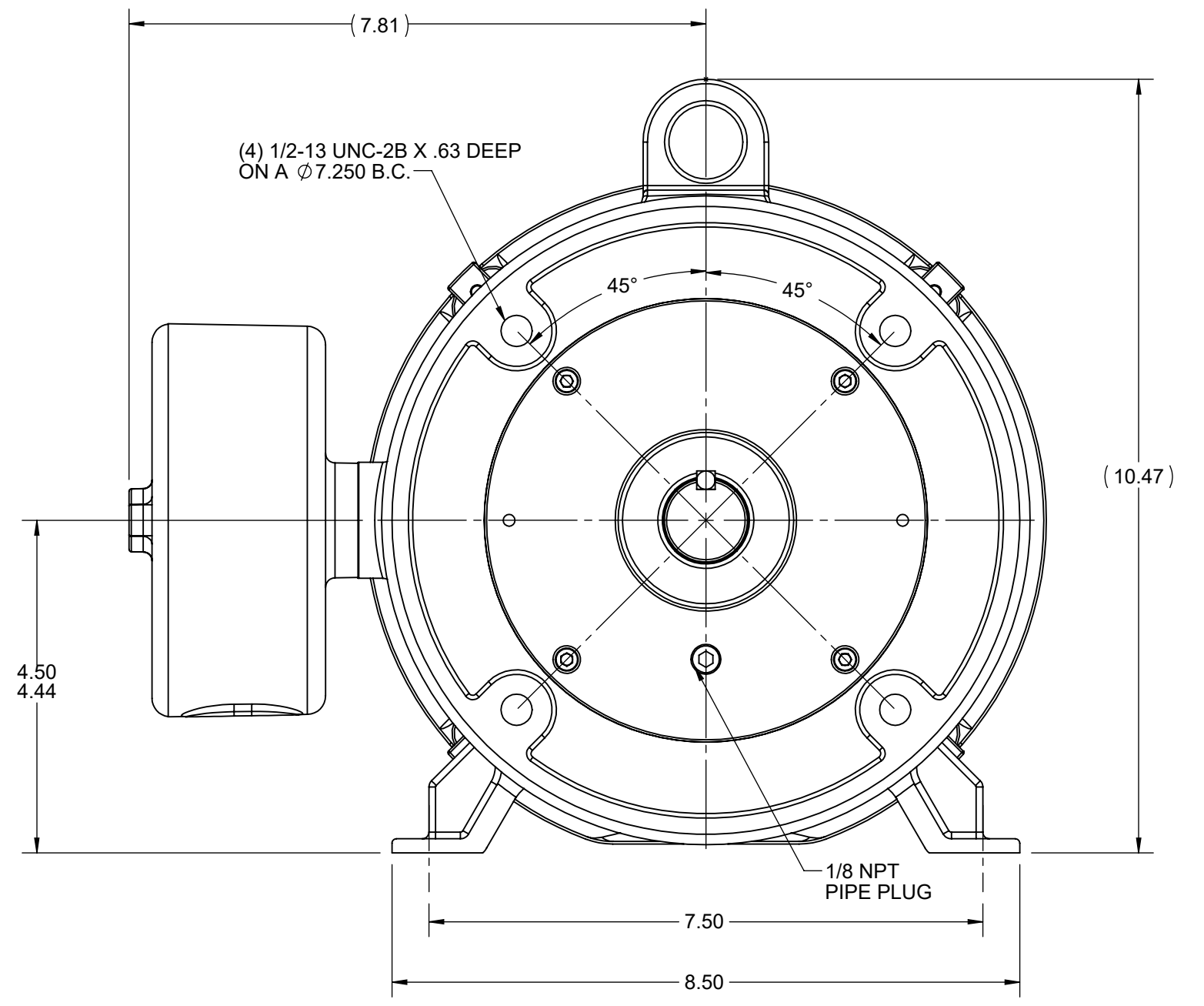
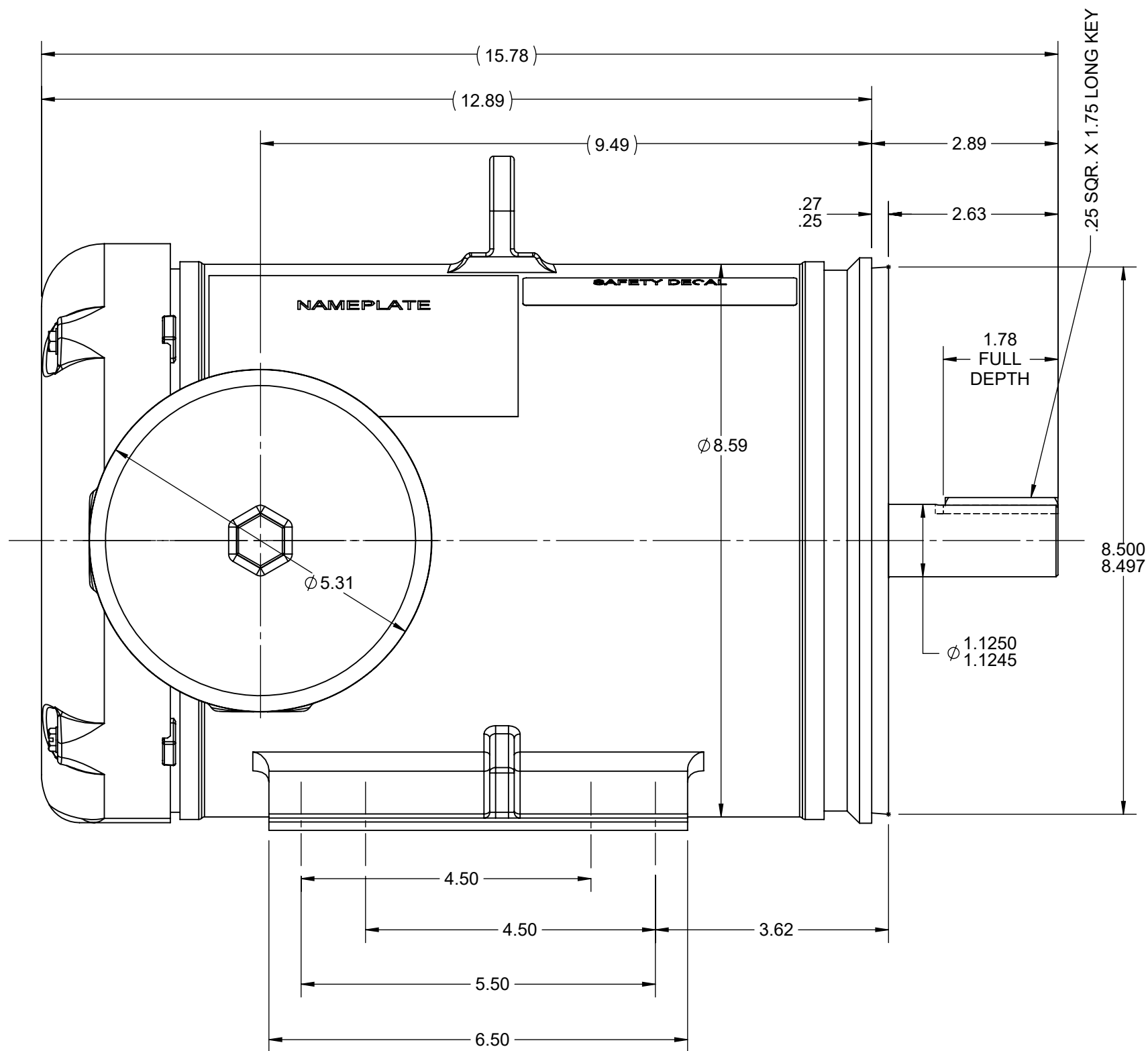
Nameplate Specifications

| | | | |
|------------------------|--------------------------------|----------------------------|------------------------------------|
| Phase | 3 | Output HP | 3 & 3 Hp |
| Output KW | 2.2 & 2.2 kW | Voltage | 230/460 & 190/380 V |
| Speed | 1770 & 1455 rpm | Service Factor | 1.15 & 1.15 |
| Frame | 184TC | Enclosure | Totally Enclosed Fan Cooled |
| Thermal Protection | No Protection | Efficiency | 89.5 & 86.5 % |
| Ambient Temperature | 40 °C | Frequency | 60 & 50 Hz |
| Current | 7.8/3.9 & 9.6/4.8 A | Power Factor | 80.5 |
| Duty | Continuous | Insulation Class | F |
| Design Code | B | KVA Code | K |
| Drive End Bearing Size | 6207 | Opp Drive End Bearing Size | 6207 |
| UL | Recognized | CSA | Y |
| CE | Y | IP Code | 69 |
| Number of Speeds | 1 | | |

Technical Specifications

| | | | |
|-----------------------|-------------------------------------|-------------------|-------------------------|
| Electrical Type | Squirrel Cage Inverter Rated | Starting Method | Line Or Inverter |
| Poles | 4 | Rotation | Reversible |
| Resistance Main | 6.08 Ohms | Mounting | Rigid Base |
| Motor Orientation | Horizontal | Drive End Bearing | Ball |
| Opp Drive End Bearing | Ball | Frame Material | Stainless Steel |
| Shaft Type | T | Shaft Diameter | 1.125 in |
| Assembly/Box Mounting | F1 ONLY | Inverter Load | VARIABLE 10:1 |
| Connection Drawing | 005010.52 | Outline Drawing | OL132647 |

This is an uncontrolled document once printed or downloaded and is subject to change without notice. Date Created: 08/15/2024

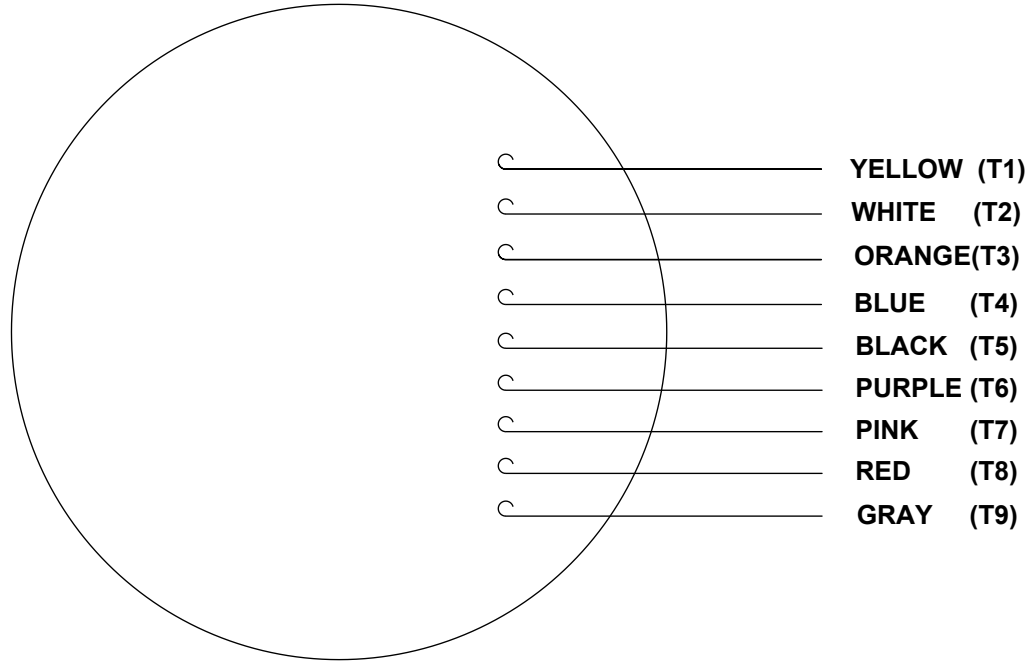


SPECIAL FEATURES:

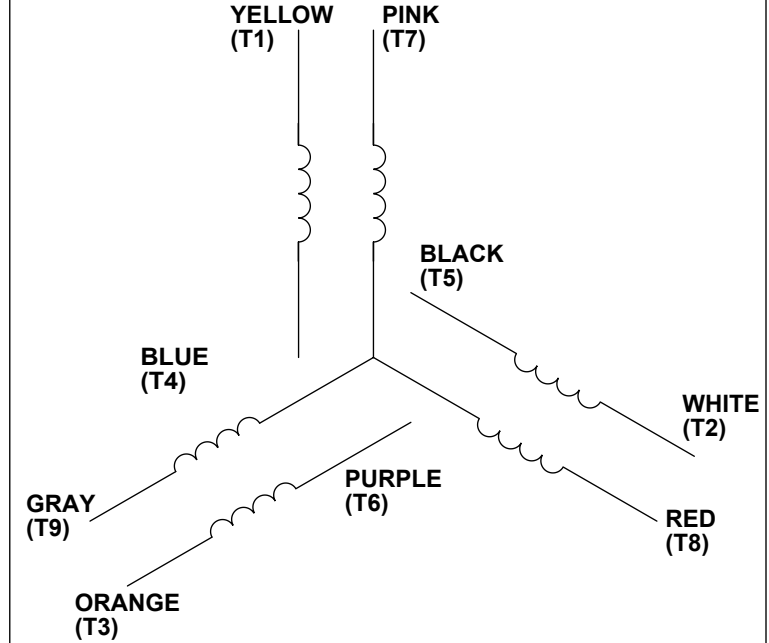
- 1) STAINLESS STEEL CONSTRUCTION
- 2) FULLY ENCAPSULATED MOTOR
- 3) 360° ROTATABLE CONDUIT BOX
- 4) IP69 RATED CONSTRUCTION

| | | | | | |
|--|-------------------|-------------------------------|---|----------------------------|--|
| DRAWING REVISION J | REVISION BY SP | REV DATE/© DATE 07/09/2021 | TOLERANCES (EXCEPT AS NOTED): DEC. INCH mm ANGLE | DRAWN BY LST | |
| ECO CR-0003448 | APPROVED BY VJ | DATE 07/09/2021 | .X ±0.1 [±3] ±0.5° .XX ±0.03 [±0.8] .XXX ±0.005 [±0.13] .XXXX ±0.0005 [±0.013] | DATE 08/15/24 | |
| ECO DESCRIPTION SLOTS REMOVED FROM C FACE TENON CR-0002915 | | | REMOVE BURRS & BREAK SHARP EDGES: .003/.015 [.08/.38] X 45° CORNER FILLETS: R.02 [.5] MACHINED SURFACES: .125/ mm 3.2 INCH/mm | APPROVED BY | DESCRIPTION OUTLINE 180TC FRAME - TEFC - RIGID "C" |
| <small>COPYRIGHT (PER REVISION DATE) WEG ALL RIGHTS RESERVED. PROPRIETARY AND CONFIDENTIAL INFORMATION - THIS DOCUMENT IS THE PROPERTY OF WEG, (OWNER) AND CONTAINS OWNER'S PROPRIETARY INFORMATION. ANY PERSON, CORPORATION OR OTHER FIRM RECEIVING IT IS DEEMED, BY RECEIVING IT, TO AGREE THAT IT, AND/OR ANY PART OF IT, SHALL NOT BE DISCLOSED TO ANY PERSON, CORPORATION OR OTHER ENTITY, DUPLICATED, AND/OR USED, EXCEPT AS EXPRESSLY APPROVED IN WRITING IN ADVANCE BY OWNER. THIS DOCUMENT SHALL BE RETURNED TO OWNER UPON REQUEST. IT MAY BE SUBJECT TO CERTAIN RESTRICTIONS UNDER APPLICABLE EXPORT CONTROL LAWS AND REGULATIONS.</small> | | | mm DIMENSIONS IN [BRACKETS] ARE FOR REFERENCE ONLY | DATE | MATERIAL |
| | | | THIRD ANGLE PROJECTION | REFERENCE | PROCESS/FINISH |
| | | | SIZE C | DRAWING NUMBER OL132647 | SHEET 1 OF 1 |

VIEW FROM OUTSIDE OF MOTOR AT SWITCH END.



LINE LEADS




| VOLTAGE | L1 | L2 | L3 | JOIN & INSULATE |
|---------|-------|-------|-------|-------------------------------|
| HIGH | T1 | T2 | T3 | (T4,T7) (T5,T8) (T6,T9) |
| LOW | T1,T7 | T2,T8 | T3,T9 | T4,T5,T6 |

RBC PROPRIETARY AND CONFIDENTIAL INFORMATION
 This document is the property of REGAL BELOIT CORPORATION ("RBC") including its subsidiaries and divisions and contains proprietary information of RBC. This document is loaned on the express condition that neither it nor the information contained therein shall be disclosed to others without the express written consent of RBC, and that the information shall be used by the recipient only as approved expressly by RBC. This document shall be returned to RBC upon its request. This document may be subject to certain restrictions under U.S. export control laws and regulations.

| | | |
|--|---------------------------|-------------------------|
| DRAWING REVISION C | REVISION BY PVR | DATE 04/23/14 |
| ECO ECO-0049985 | APPROVED BY JD | DATE 04/23/14 |
| ECO DESCRIPTION UPDATED PER ECO-0049985 | | |
| <small>COPYRIGHT WEG ALL RIGHTS RESERVED. PROPRIETARY AND CONFIDENTIAL INFORMATION - THIS DOCUMENT IS THE PROPERTY OF WEG ("OWNER") AND CONTAINS OWNER'S PROPRIETARY INFORMATION. ANY PERSON, CORPORATION OR OTHER FIRM RECEIVING IT IS DEEMED, BY RECEIVING IT, TO AGREE THAT IT, AND/OR ANY PART OF IT, SHALL NOT BE DISCLOSED TO ANY PERSON, CORPORATION OR OTHER ENTITY, DUPLICATED, AND/OR USED, EXCEPT AS EXPRESSLY APPROVED IN WRITING IN ADVANCE BY OWNER. THIS DOCUMENT SHALL BE RETURNED TO OWNER UPON REQUEST. IT MAY BE SUBJECT TO CERTAIN RESTRICTIONS UNDER APPLICABLE EXPORT CONTROL LAWS AND REGULATIONS.</small> | | |

| | | | |
|---|---------|-----------|-------|
| TOLERANCES UNLESS OTHERWISE SPECIFIED: | | | |
| DEC. | INCH | mm | ANGLE |
| .X | ±0.1 | [±2.5] | ±0.5° |
| .XX | ±0.01 | [±0.25] | |
| .XXX | ±0.005 | [±0.127] | |
| .XXXX | ±0.0005 | [±0.0127] | |
| REMOVE BURRS & BREAK SHARP | | | |
| EDGES: .003/.015 [.076/.381] | | | |
| CORNER FILLETS: .02 [.51] | | | |
| MACHINED SURFACES: 125/3.2 | | | |
| INCH <input checked="" type="checkbox"/> mm <input checked="" type="checkbox"/> | | | |
| mm SHOWN IN [BRACKETS] | | | |

| |
|---------------------------|
| DRAWN BY LST |
| DATE 08/15/2024 |
| APPROVED BY |
| DATE |
| PROCESS/FINISH |
| THIRD ANGLE PROJECTION |



LEAD ASSY
EXT. WIRING DIA. 3 PH. W/O PROT.

| | |
|------------------------|-----------------------------------|
| DESCRIPTION | MATERIAL |
| SIZE A | DRAWING NUMBER 00501052 |
| SHEET 1 OF 1 | |