



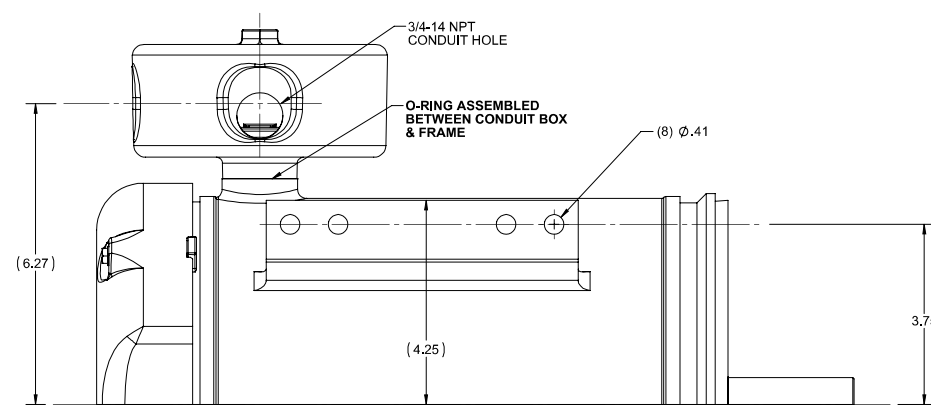
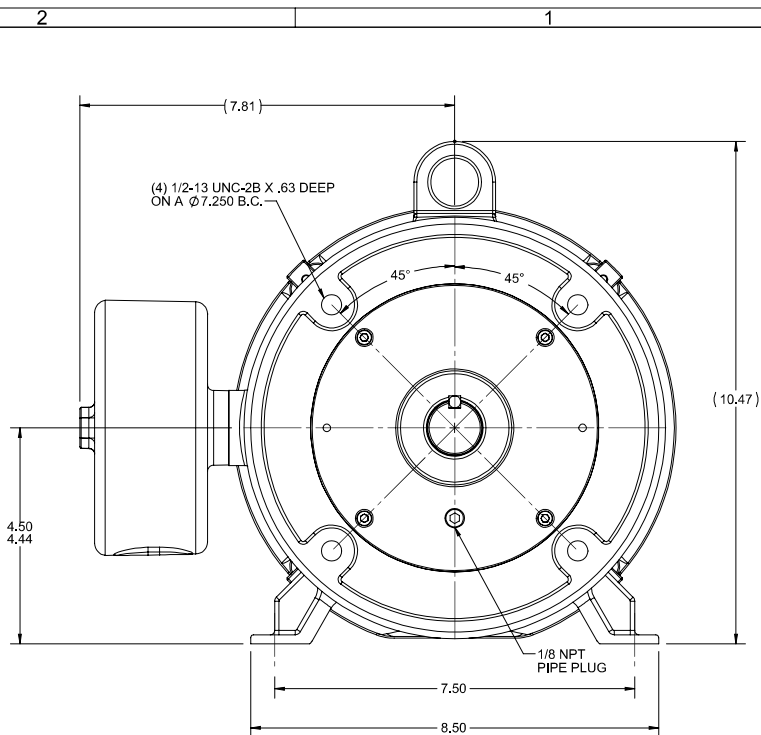
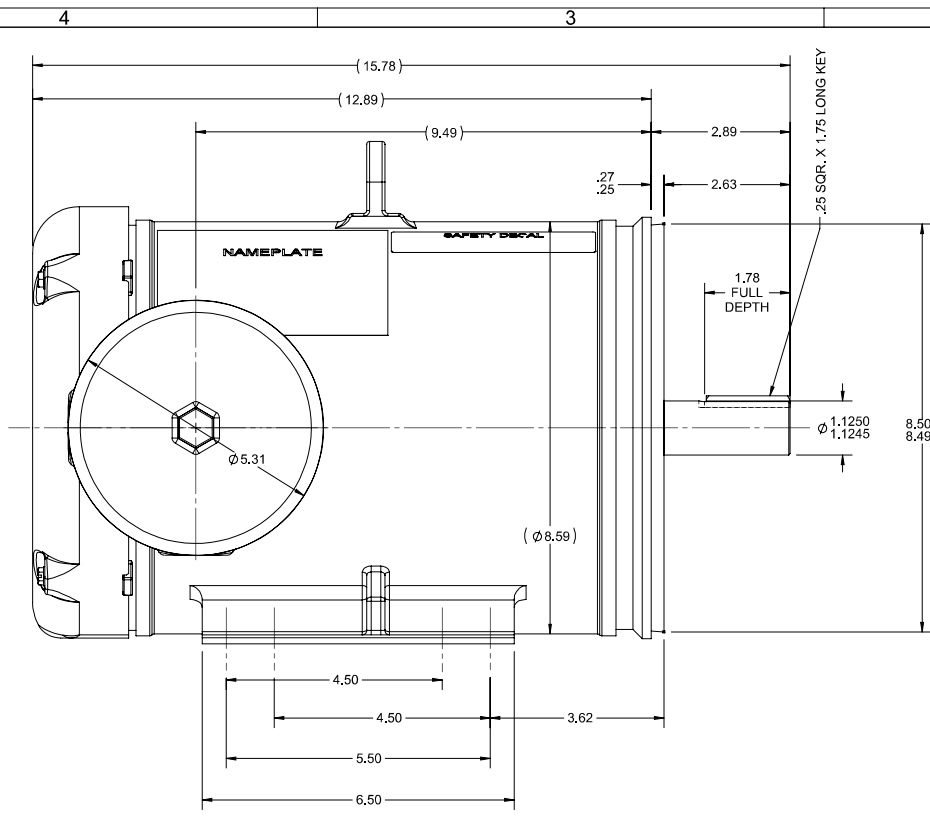
### Nameplate Specifications

Phase	3	Output HP	5 & 5 Hp
Output KW	3.7 & 3.7 kW	Voltage	230/460 & 190/380 V
Speed	1760 & 1450 rpm	Service Factor	1.15 & 1.15
Frame	184TC	Enclosure	Totally Enclosed Fan Cooled
Thermal Protection	No Protection	Efficiency	89.5 & 87.5 %
Ambient Temperature	40 °C	Frequency	60 & 50 Hz
Current	12.6/6.3 & 15.2/7.6 A	Power Factor	83
Duty	Continuous	Insulation Class	F
Design Code	B	KVA Code	G
Drive End Bearing Size	6207	Opp Drive End Bearing Size	6207
UL	Recognized	CSA	Y
CE	Y	IP Code	69
Number of Speeds	1		

### Technical Specifications

Electrical Type	Squirrel Cage Inverter Rated	Starting Method	Line Or Inverter
Poles	4	Rotation	Selective Clockwise
Resistance Main	2.68 Ohms	Mounting	Rigid Base
Motor Orientation	Horizontal	Drive End Bearing	Ball
Opp Drive End Bearing	Ball	Frame Material	Stainless Steel
Shaft Type	T	Shaft Diameter	1.125 in
Assembly/Box Mounting	F1 ONLY	Inverter Load	VARIABLE 10:1
Connection Drawing	005010.52	Outline Drawing	OL132649

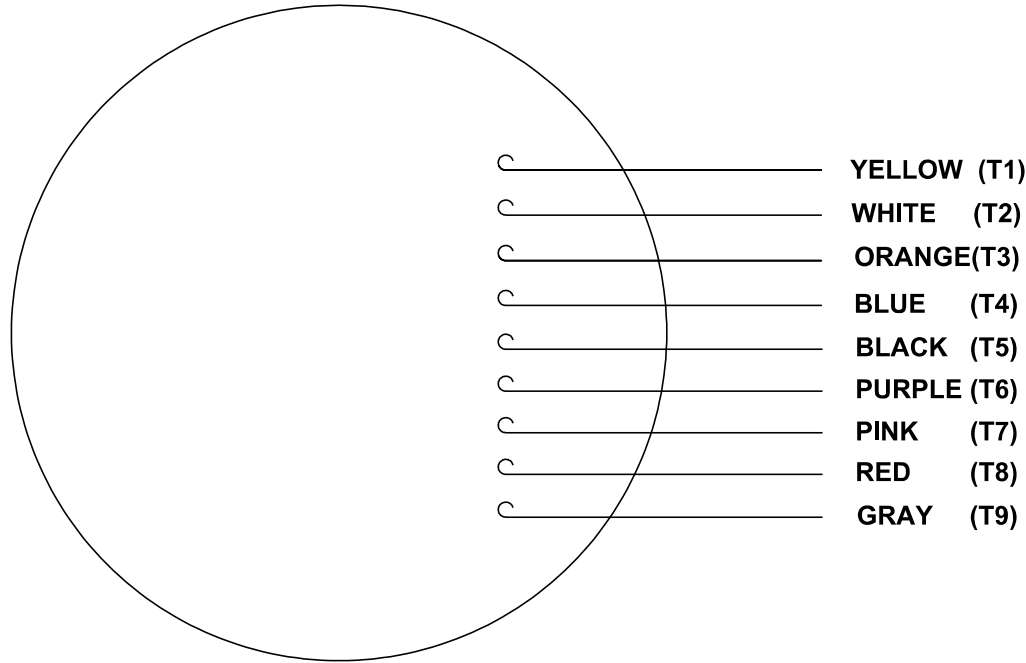
This is an uncontrolled document once printed or downloaded and is subject to change without notice. Date Created: 05/15/2024



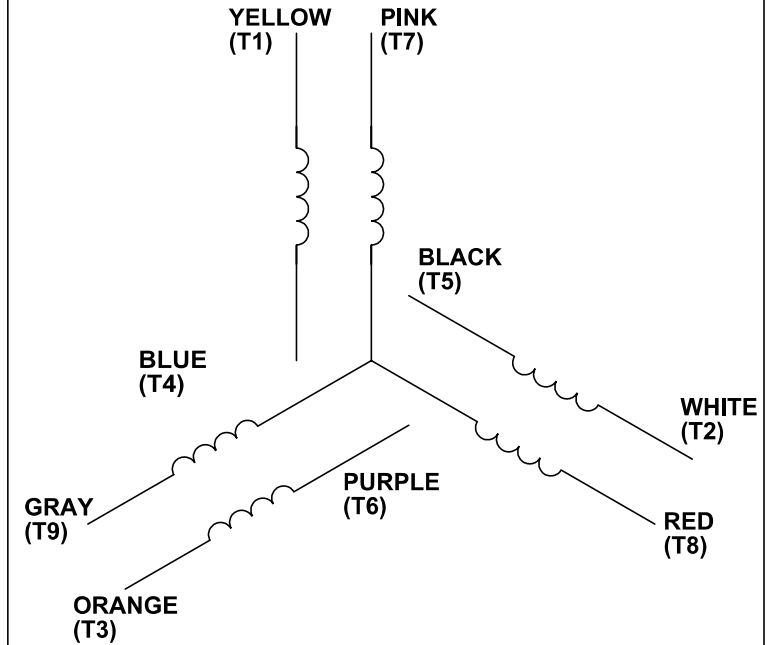
- SPECIAL FEATURES:**
1. STAINLESS STEEL CONSTRUCTION
  2. IP69 RATED CONSTRUCTION
  3. 360° ROTATABLE CONDUIT BOX
  4. FULLY ENCAPSULATED MOTOR

DRAWING REVISION J		REVISION BY SP	REV DATE/© DATE 07/09/2021	TOLERANCES (EXCEPT AS NOTED): DEC. INCH - mm ANGLE -X +0.1 [±3] +0.5° .XX ±0.03 [±0.8] .XXX ±0.005 [±0.13] .XXXX ±0.0005 [±0.013] REMOVE BURRS & BREAK SHARP EDGES: .003/.015 [.08/.38] X 45° CORNER FILLETS: R.02 [-5] MACHINED SURFACES: 125 / 3.2 INCH / mm DIMENSIONS IN [BRACKETS] ARE FOR REFERENCE ONLY		DRAWN BY LST	
ECO-0003448		APPROVED BY VJ	DATE 07/09/2021	DATE 08/15/2024	APPROVED BY	DESCRIPTION <b>OUTLINE</b> 180TC FRAME - TEFC - RIGID "C"	
ECO DESCRIPTION SLOTS REMOVED FROM C FACE TENON_CR-0002915 COPYRIGHT © 1998 WEG S.A. ALL RIGHTS RESERVED. PROPRIETARY AND CONFIDENTIAL INFORMATION. THIS DOCUMENT IS THE PROPERTY OF WEG. OWNERS AND OWNERS' PRIVILEGES. INFORMATION ANY PERSON, CORPORATION OR OTHER FIRM RECEIVING IT IS DEEMED BY RECEIVING IT TO AGREE THAT IT, AND/OR ANY PART OF IT, SHALL NOT BE DISCLOSED TO ANY PERSON, CORPORATION OR OTHER ENTITY, DUPLICATED, AND/OR USED, EXCEPT AS EXPRESSLY APPROVED IN ADVANCE BY OWNER. THIS DOCUMENT SHALL BE RETURNED TO OWNER UPON REQUEST. IT MAY BE SUBJECT TO CERTAIN RESTRICTIONS UNDER APPLICABLE EXPORT CONTROLS AND REGULATIONS.				REFERENCE	MATERIAL	PROCESS/FINISH	
THIRD ANGLE PROJECTION		SIZE C	DRAWING NUMBER OL132649	SHEET 1 OF 1			

VIEW FROM OUTSIDE OF MOTOR AT SWITCH END.



## LINE LEADS



VOLTAGE	L1	L2	L3	JOIN & INSULATE
HIGH	T1	T2	T3	(T4,T7) (T5,T8) (T6,T9)
LOW	T1,T7	T2,T8	T3,T9	T4,T5,T6

**WEG PROPRIETARY AND CONFIDENTIAL INFORMATION**

This document is the property of WEG including its subsidiaries and divisions and contains proprietary information of WEG. This document is loaned on the express condition that neither it nor the information contained therein shall be disclosed to others without the express written consent of WEG, and that the information shall be used by the recipient only as approved expressly by WEG. This document shall be returned to WEG upon its request. This document may be subject to certain restrictions under U.S. export control laws and regulations.

DRAWING REVISION <b>C</b>	REVISION BY <b>PVR</b>	DATE <b>04/23/14</b>
ECO <b>ECO-0049985</b>	APPROVED BY <b>JD</b>	DATE <b>04/23/14</b>
ECO DESCRIPTION <b>UPDATED PER ECO-0049985</b>		
<small>COPYRIGHT REGAL BELOIT AMERICA, INC. ALL RIGHTS RESERVED.                  PROPRIETARY AND CONFIDENTIAL INFORMATION - THIS DOCUMENT IS THE PROPERTY OF                  REGAL BELOIT AMERICA, INC. ("OWNER") AND CONTAINS OWNER'S PROPRIETARY                  INFORMATION. ANY PERSON, CORPORATION OR OTHER FIRM RECEIVING IT IS DEEMED,                  BY RECEIVING IT, TO AGREE THAT IT, AND/OR ANY PART OF IT, SHALL NOT BE DISCLOSED                  TO ANY PERSON, CORPORATION OR OTHER ENTITY, DUPLICATED, AND/OR USED, EXCEPT                  AS EXPRESSLY APPROVED IN WRITING IN ADVANCE BY OWNER. THIS DOCUMENT SHALL                  BE RETURNED TO OWNER UPON REQUEST. IT MAY BE SUBJECT TO CERTAIN                  RESTRICTIONS UNDER APPLICABLE EXPORT CONTROL LAWS AND REGULATIONS.</small>		

TOLERANCES UNLESS OTHERWISE SPECIFIED:			
DEC.	INCH	mm	ANGLE
.X	±0.1	[±2.5]	±0.5°
.XX	±0.01	[±0.25]	
.XXX	±0.005	[±0.127]	
.XXXX	±0.0005	[±0.0127]	
REMOVE BURRS & BREAK SHARP			
EDGES: .003/.015 [.076/.381]			
CORNER FILLETS: .02 [.51]			
MACHINED SURFACES: 125/ 3.2/			
INCH √ mm √			
mm SHOWN IN [BRACKETS]			

DRAWN BY <b>LST</b>
DATE <b>08/15/2024</b>
APPROVED BY
DATE
PROCESS/FINISH
THIRD ANGLE PROJECTION



DESCRIPTION <b>LEAD ASSY EXT. WIRING DIA. 3 PH. W/O PROT.</b>	
MATERIAL	
SIZE <b>A</b>	DRAWING NUMBER <b>00501052</b>
SHEET <b>1 OF 1</b>	