



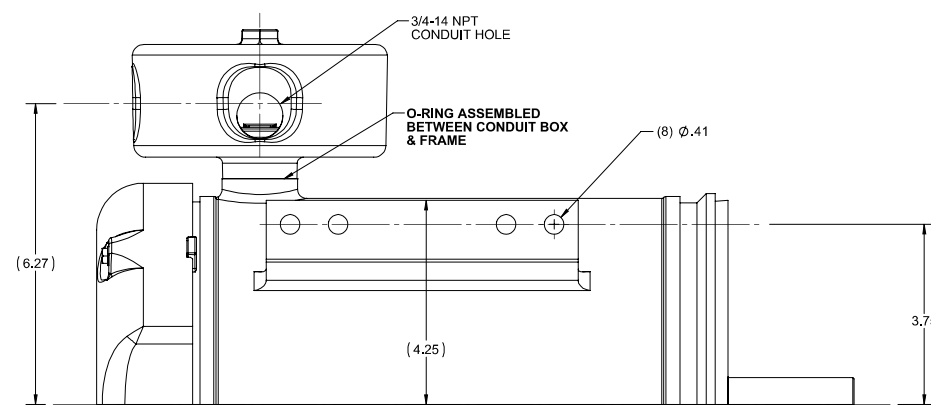
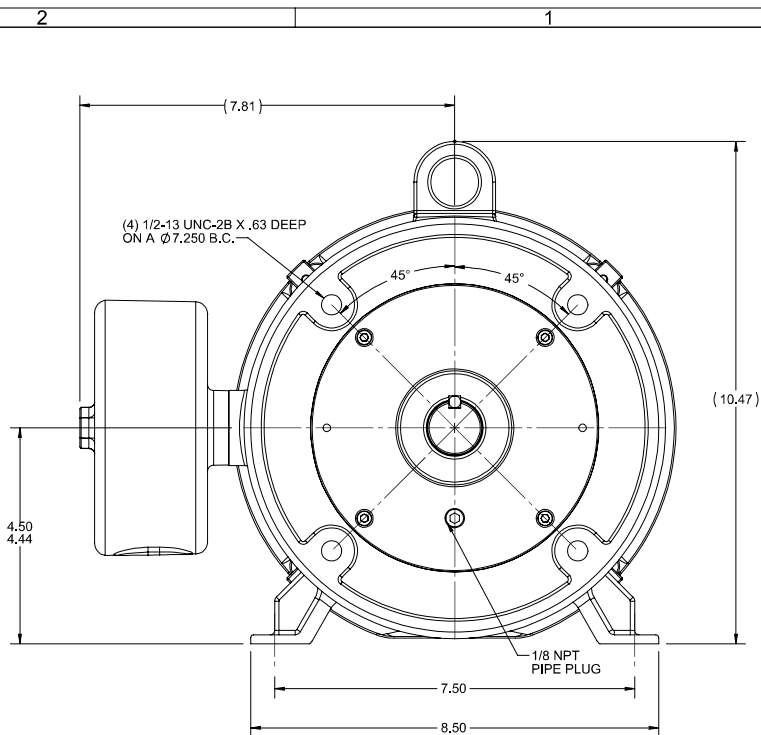
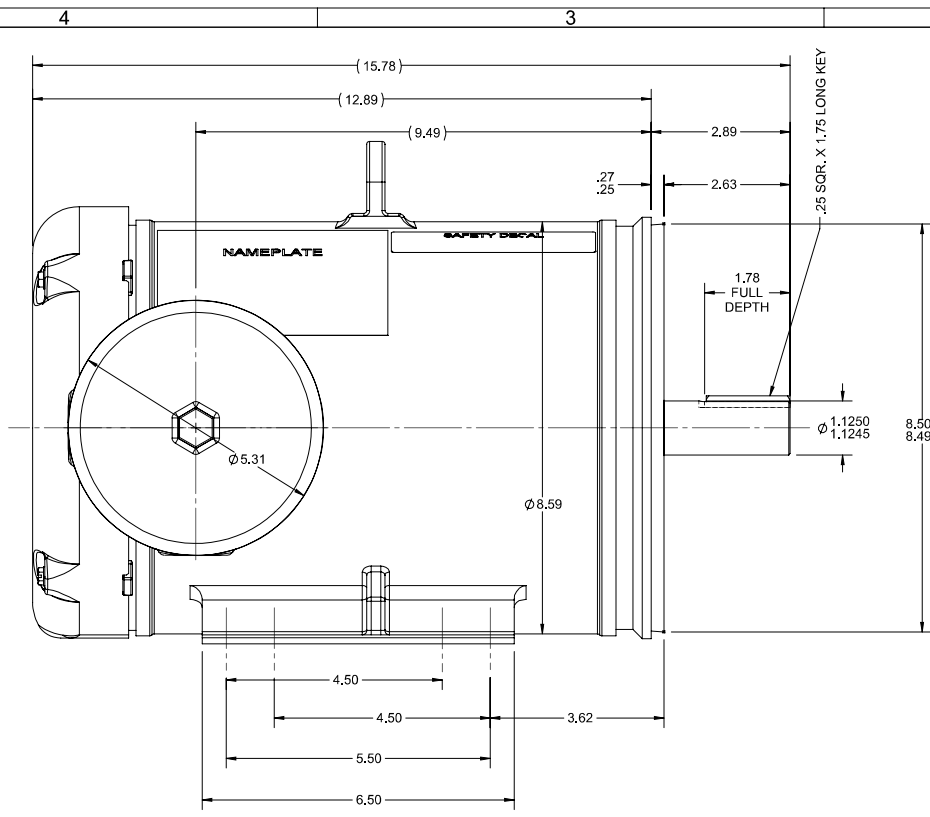
Nameplate Specifications

Phase	3	Output HP	5 & 5 Hp
Output KW	3.7 & 3.7 kW	Voltage	230/460 & 190/380 V
Speed	3520 & 2910 rpm	Service Factor	1.15 & 1.15
Frame	184TC	Enclosure	Totally Enclosed Fan Cooled
Thermal Protection	No Protection	Efficiency	88.5 & 88.5 %
Ambient Temperature	40 °C	Frequency	60 & 50 Hz
Current	12.4/6.2 & 14.8/7.4 A	Power Factor	88
Duty	Continuous	Insulation Class	F
Design Code	B	KVA Code	J
Drive End Bearing Size	6207	Opp Drive End Bearing Size	6207
UL	Recognized	CSA	Y
CE	Y	IP Code	69
Number of Speeds	1		

Technical Specifications


Electrical Type	Squirrel Cage Inverter Rated	Starting Method	Line Or Inverter
Poles	2	Rotation	Reversible
Resistance Main	0 Ohms	Mounting	Rigid Base
Motor Orientation	Horizontal	Drive End Bearing	Ball
Opp Drive End Bearing	Ball	Frame Material	Stainless Steel
Shaft Type	T	Shaft Diameter	1.125 in
Assembly/Box Mounting	F1 ONLY	Inverter Load	VARIABLE 10:1
Connection Drawing	005010.52	Outline Drawing	OL132648

This is an uncontrolled document once printed or downloaded and is subject to change without notice. Date Created: 08/15/2024

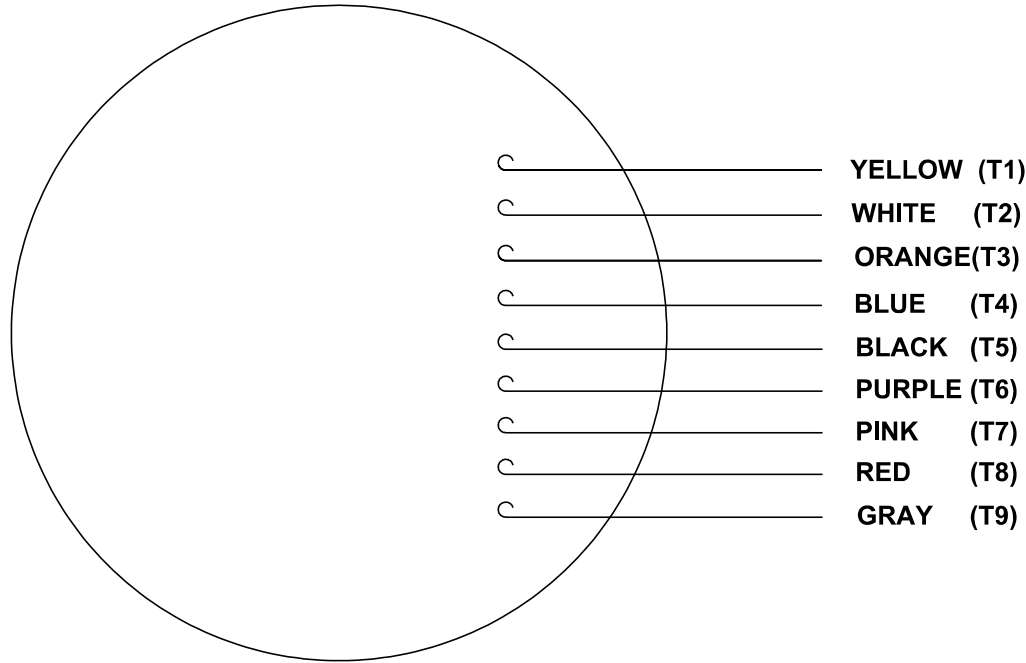


SPECIAL FEATURES:

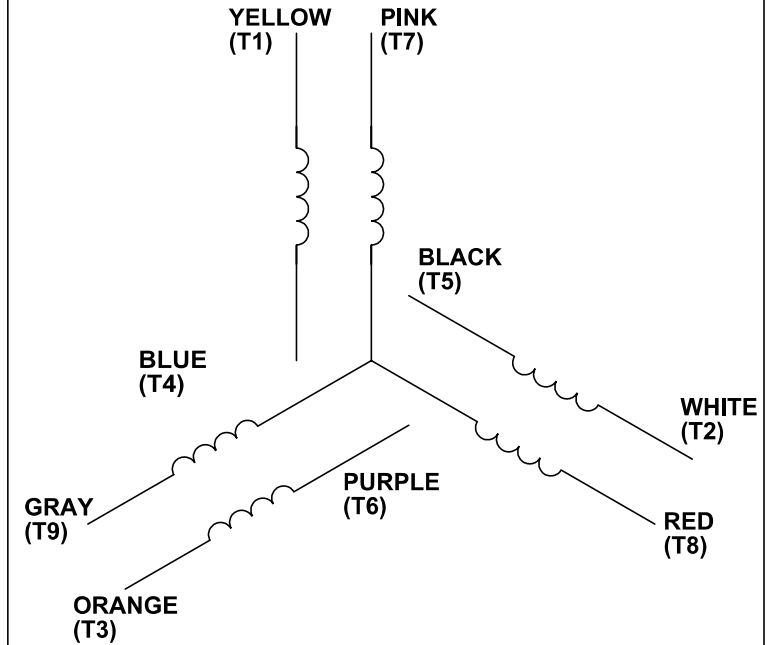
- 1) STAINLESS STEEL CONSTRUCTION
- 2) FULLY ENCAPSULATED MOTOR
- 3) 360° ROTATABLE CONDUIT BOX
- 4) IP69 RATED CONSTRUCTION

DRAWING REVISION J		REVISION BY SP	REV DATE/© DATE 07/09/2021	TOLERANCES (EXCEPT AS NOTED): DEC. INCH - mm ANGLE		DRAWN BY LST		
ECO CR-0003448		APPROVED BY VJ	DATE 07/09/2021	.XX ±0.1 [±3]	±0.5°	DATE 08/15/2024		
ECO DESCRIPTION SLOTS REMOVED FROM C FACE TENON_CR-0002915				.XX ±0.03 [±0.8]		APPROVED BY	DESCRIPTION OUTLINE	
COPYRIGHT © PER REVISION DATE WITH ALL RIGHTS RESERVED. PROPRIETARY AND CONFIDENTIAL INFORMATION. THIS DOCUMENT IS THE PROPERTY OF WEG. OWNERS AND CONTRACTORS OWNERS PROPRIETARY INFORMATION. ANY PERSON, CORPORATION OR OTHER FIRM RECEIVING IT IS DEEMED BY RECEIVING IT TO AGREE THAT IT, AND/OR ANY PART OF IT, SHALL NOT BE DISCLOSED TO ANY PERSON, CORPORATION OR OTHER ENTITY, DUPLICATED, AND/OR USED, EXCEPT AS EXPRESSLY APPROVED IN WRITING IN ADVANCE BY OWNER. THIS DOCUMENT SHALL BE RETURNED TO OWNER UPON REQUEST. IT MAY BE SUBJECT TO CERTAIN RESTRICTIONS UNDER APPLICABLE EXPORT CONTROLS AND REGULATIONS.				.XXX ±0.005 [±0.13]		DATE	180TC FRAME - TEFC - RIGID "C"	
				.XXX ±0.005 [±0.13]		REFERENCE	MATERIAL	
				CORNER FILLETS: R.02 [-5]		THIRD ANGLE PROJECTION	PROCESS/FINISH	
				MACHINED SURFACES: 125 / 3.2		SIZE	DRAWING NUMBER	
				mm DIMENSIONS IN [BRACKETS] ARE FOR REFERENCE ONLY		C	OL132648	
							SHEET	1 OF 1

VIEW FROM OUTSIDE OF MOTOR AT SWITCH END.



LINE LEADS



VOLTAGE	L1	L2	L3	JOIN & INSULATE
HIGH	T1	T2	T3	(T4,T7) (T5,T8) (T6,T9)
LOW	T1,T7	T2,T8	T3,T9	T4,T5,T6

WEG PROPRIETARY AND CONFIDENTIAL INFORMATION

This document is the property of WEG including its subsidiaries and divisions and contains proprietary information of WEG. This document is loaned on the express condition that neither it nor the information contained therein shall be disclosed to others without the express written consent of WEG, and that the information shall be used by the recipient only as approved expressly by WEG. This document shall be returned to WEG upon its request. This document may be subject to certain restrictions under U.S. export control laws and regulations.

DRAWING REVISION C	REVISION BY PVR	DATE 04/23/14	TOLERANCES UNLESS OTHERWISE SPECIFIED: DEC. INCH mm ANGLE .X ±0.1 [±2.5] ±0.5° .XX ±0.01 [±0.25] .XXX ±0.005 [±0.127] .XXXX ±0.0005 [±0.0127] REMOVE BURRS & BREAK SHARP EDGES: .003/.015 [.076/.381] CORNER FILLETS: .02 [.51] MACHINED SURFACES: 125/3.2 INCH/mm	DRAWN BY LST	
ECO ECO-0049985	APPROVED BY JD	DATE 04/23/14		DATE 08/15/2024	
ECO DESCRIPTION UPDATED PER ECO-0049985				APPROVED BY	DESCRIPTION LEAD ASSY EXT. WIRING DIA. 3 PH. W/O PROT.
COPYRIGHT WEG ALL RIGHTS RESERVED. PROPRIETARY AND CONFIDENTIAL INFORMATION - THIS DOCUMENT IS THE PROPERTY OF WEG ("OWNER") AND CONTAINS OWNER'S PROPRIETARY INFORMATION. ANY PERSON, CORPORATION OR OTHER FIRM RECEIVING IT IS DEEMED, BY RECEIVING IT, TO AGREE THAT IT, AND/OR ANY PART OF IT, SHALL NOT BE DISCLOSED TO ANY PERSON, CORPORATION OR OTHER ENTITY, DUPLICATED, AND/OR USED, EXCEPT AS EXPRESSLY APPROVED IN WRITING IN ADVANCE BY OWNER. THIS DOCUMENT SHALL BE RETURNED TO OWNER UPON REQUEST. IT MAY BE SUBJECT TO CERTAIN RESTRICTIONS UNDER APPLICABLE EXPORT CONTROL LAWS AND REGULATIONS.				DATE	MATERIAL
			mm SHOWN IN [BRACKETS]	PROCESS/FINISH	
				THIRD ANGLE PROJECTION	SIZE A
				DRAWING NUMBER 00501052	SHEET 1 OF 1