



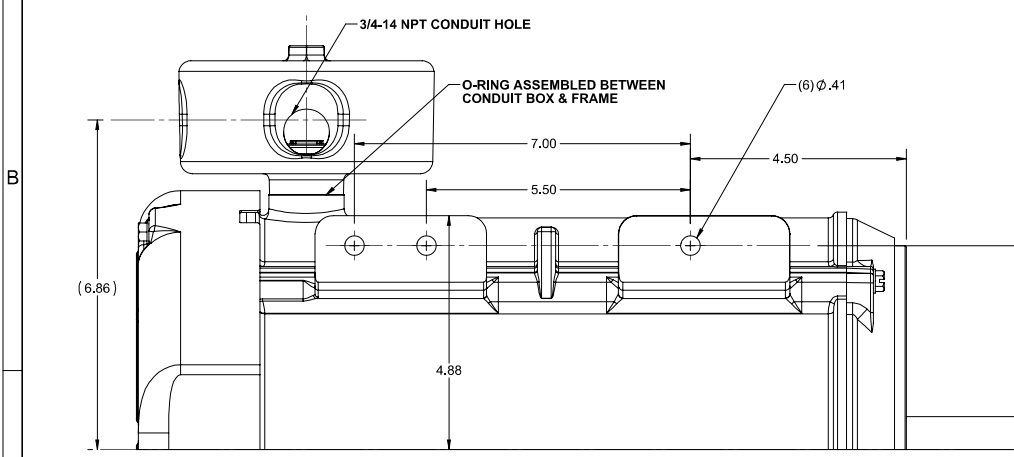
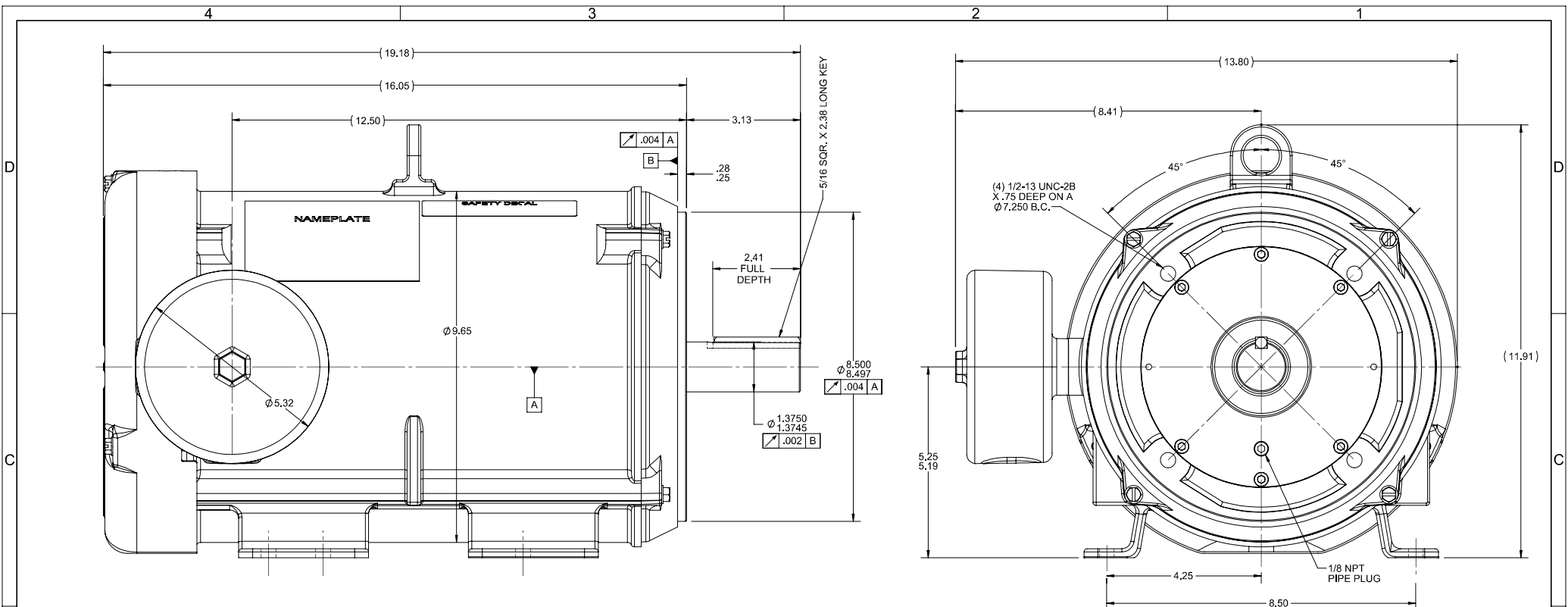
Nameplate Specifications

Phase	3	Output HP	10 & 7.50 Hp
Output KW	7.5 & 5.6 kW	Voltage	230/460 & 190/380 V
Speed	1760 & 1475 rpm	Service Factor	1.15 & 1.15
Frame	215TC	Enclosure	Totally Enclosed Fan Cooled
Thermal Protection	No Protection	Efficiency	91.7 & 89.5 %
Ambient Temperature	40 °C	Frequency	60 & 50 Hz
Current	26.4/13.2 & 27.4/13.7 A	Power Factor	77.5
Duty	Continuous	Insulation Class	F
Design Code	B	KVA Code	H
Drive End Bearing Size	6209	Opp Drive End Bearing Size	6207
UL	Recognized	CSA	Y
CE	Y	IP Code	69
Number of Speeds	1		

Technical Specifications

Electrical Type	Squirrel Cage Inverter Rated	Starting Method	Line Or Inverter
Poles	4	Rotation	Reversible
Resistance Main	.9 Ohms	Mounting	Rigid Base
Motor Orientation	Horizontal	Drive End Bearing	Ball
Opp Drive End Bearing	Ball	Frame Material	Stainless Steel
Shaft Type	T	Shaft Diameter	1.375 in
Assembly/Box Mounting	F1 ONLY	Inverter Load	VARIABLE 10:1
Connection Drawing	005010.52	Outline Drawing	OL141412

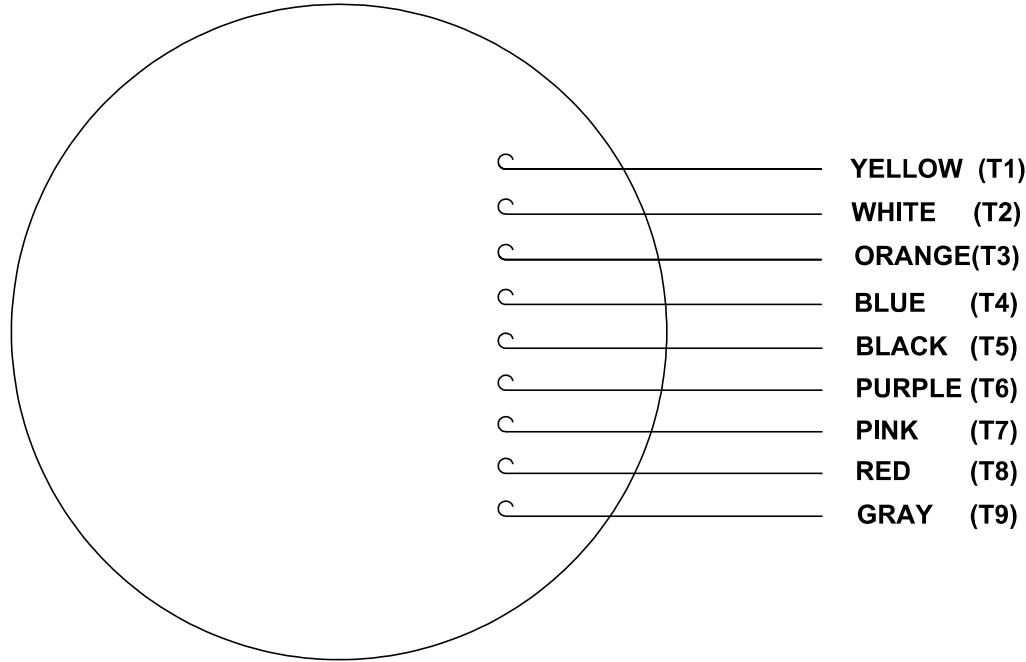
This is an uncontrolled document once printed or downloaded and is subject to change without notice. Date Created: 08/15/2024



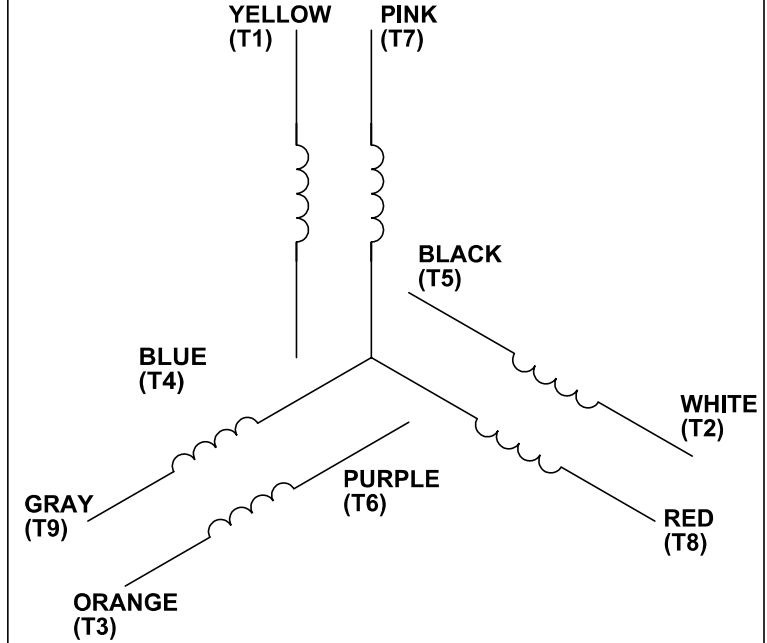
- SPECIAL FEATURES:**
- 1) STAINLESS STEEL CONSTRUCTION
 - 2) FULLY ENCAPSULATED MOTOR
 - 3) 360° ROTATABLE CONDUIT BOX
 - 4) IP69 RATED CONSTRUCTION

DRAWING REVISION K	REVISION BY NR	REV DATE/© DATE 09/07/2023	TOLERANCES (EXCEPT AS NOTED): DEC. INCH mm ANGLE XX ±0.1 [±3] ±0.5° .XX ±0.03 [±0.8] .XXX ±0.005 [±0.13] .XXX ±0.0005 [±0.013]		DRAWN BY LST	
REQUEST NUMBER CR-0016763	APPROVED BY MG	DATE 09/07/2023	REMOVE BURRS & BREAK SHARP EDGES: .003/.015 [.08/.38] X 45° CORNER FILLETS: R.02 [-5] MACHINED SURFACES: 125 / mm	DATE 08/15/2024	DESCRIPTION OUTLINE 210TC FRAME - TEFC - RIGID "C"	
REQUEST NUMBER DESCRIPTION UPDATED DRAWING			THIRD ANGLE PROJECTION	REFERENCE	MATERIAL	PROCESS/FINISH
<small>COPYRIGHT (PER REVISION DATE) WEG ALL RIGHTS RESERVED. PROPRIETARY AND CONFIDENTIAL INFORMATION. THIS DOCUMENT IS THE PROPERTY OF WEG. OWNERSHIP AND CONTENTS OWNERS PROPRIETARY. INFORMATION ANY PERSON, CORPORATION OR OTHER FIRM RECEIVING IT IS DEEMED BY RECEIVING IT TO AGREE THAT IT, AND/OR ANY PART OF IT, SHALL NOT BE DISCLOSED TO ANY PERSON, CORPORATION OR OTHER ENTITY, DUPLICATED, AND/OR USED, EXCEPT AS EXPRESSLY APPROVED IN WRITING IN ADVANCE BY OWNER. THIS DOCUMENT SHALL BE RETURNED TO OWNER UPON REQUEST. IT MAY BE SUBJECT TO CERTAIN RESTRICTIONS UNDER APPLICABLE EXPORT CONTROLS AND REGULATIONS.</small>			SIZE C	DRAWING NUMBER OL141412	SHEET 1 OF 1	

VIEW FROM OUTSIDE OF MOTOR AT SWITCH END.



LINE LEADS




VOLTAGE	L1	L2	L3	JOIN & INSULATE
HIGH	T1	T2	T3	(T4,T7) (T5,T8) (T6,T9)
LOW	T1,T7	T2,T8	T3,T9	T4,T5,T6

WEG PROPRIETARY AND CONFIDENTIAL INFORMATION
 This document is the property of WEG including its subsidiaries and divisions and contains proprietary information of WEG. This document is loaned on the express condition that neither it nor the information contained therein shall be disclosed to others without the express written consent of WEG, and that the information shall be used by the recipient only as approved expressly by WEG. This document shall be returned to WEG upon its request. This document may be subject to certain restrictions under U.S. export control laws and regulations.

DRAWING REVISION C	REVISION BY PVR	DATE 04/23/14
ECO ECO-0049985	APPROVED BY JD	DATE 04/23/14
ECO DESCRIPTION UPDATED PER ECO-0049985		
COPYRIGHT WEG ALL RIGHTS RESERVED. PROPRIETARY AND CONFIDENTIAL INFORMATION - THIS DOCUMENT IS THE PROPERTY OF WEG ("OWNER") AND CONTAINS OWNER'S PROPRIETARY INFORMATION. ANY PERSON, CORPORATION OR OTHER FIRM RECEIVING IT IS DEEMED, BY RECEIVING IT, TO AGREE THAT IT, AND/OR ANY PART OF IT, SHALL NOT BE DISCLOSED TO ANY PERSON, CORPORATION OR OTHER ENTITY, DUPLICATED, AND/OR USED, EXCEPT AS EXPRESSLY APPROVED IN WRITING IN ADVANCE BY OWNER. THIS DOCUMENT SHALL BE RETURNED TO OWNER UPON REQUEST. IT MAY BE SUBJECT TO CERTAIN RESTRICTIONS UNDER APPLICABLE EXPORT CONTROL LAWS AND REGULATIONS.		

TOLERANCES UNLESS OTHERWISE SPECIFIED:			
DEC.	INCH	mm	ANGLE
.X	±0.1	[±2.5]	±0.5°
.XX	±0.01	[±0.25]	
.XXX	±0.005	[±0.127]	
.XXXX	±0.0005	[±0.0127]	
REMOVE BURRS & BREAK SHARP			
EDGES: .003/.015 [.076/.381]			
CORNER FILLETS: .02 [.51]			
MACHINED SURFACES: 125/3.2			
INCH <input type="checkbox"/> mm <input checked="" type="checkbox"/>			
mm SHOWN IN [BRACKETS]			

DRAWN BY LST
DATE 08/15/2024
APPROVED BY
DATE
PROCESS/FINISH
THIRD ANGLE PROJECTION



DESCRIPTION LEAD ASSY EXT. WIRING DIA. 3 PH. W/O PROT.	
MATERIAL	
SIZE A	DRAWING NUMBER 00501052
SHEET 1 OF 1	