



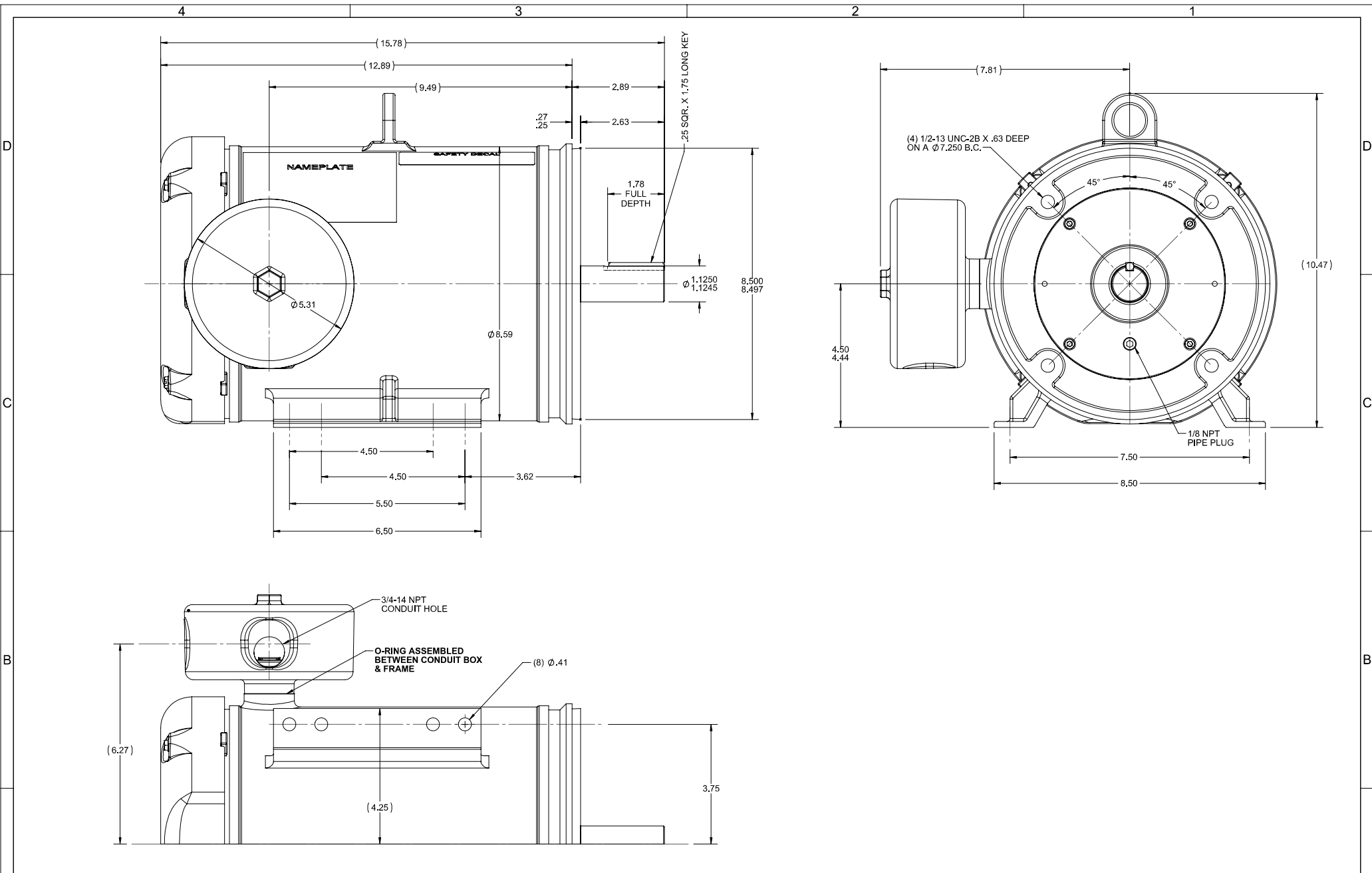
Nameplate Specifications

Phase	3	Output HP	3 & 3 Hp
Output KW	2.2 & 2.2 kW	Voltage	230/460 & 190/380 V
Speed	3510 & 2912 rpm	Service Factor	1.15 & 1.15
Frame	184TC	Enclosure	Totally Enclosed Fan Cooled
Thermal Protection	No Protection	Efficiency	86.5 & 84.5 %
Ambient Temperature	40 °C	Frequency	60 & 50 Hz
Current	7.6/3.8 & 9.4/4.7 A	Power Factor	83.7
Duty	Continuous	Insulation Class	F
Design Code	B	KVA Code	K
Drive End Bearing Size	6207	Opp Drive End Bearing Size	6207
UL	Recognized	CSA	Y
CE	Y	IP Code	69
Number of Speeds	1		

Technical Specifications

Electrical Type	Squirrel Cage Inverter Rated	Starting Method	Line Or Inverter
Poles	2	Rotation	Selective Clockwise
Mounting	Rigid Base	Motor Orientation	Horizontal
Drive End Bearing	Ball	Opp Drive End Bearing	Ball
Frame Material	Stainless Steel	Shaft Type	T
Shaft Diameter	1.125 in	Assembly/Box Mounting	F1 ONLY
Inverter Load	VARIABLE 10:1		
Outline Drawing	OL132646	Connection Drawing	005010.52

This is an uncontrolled document once printed or downloaded and is subject to change without notice. Date Created: 08/02/202

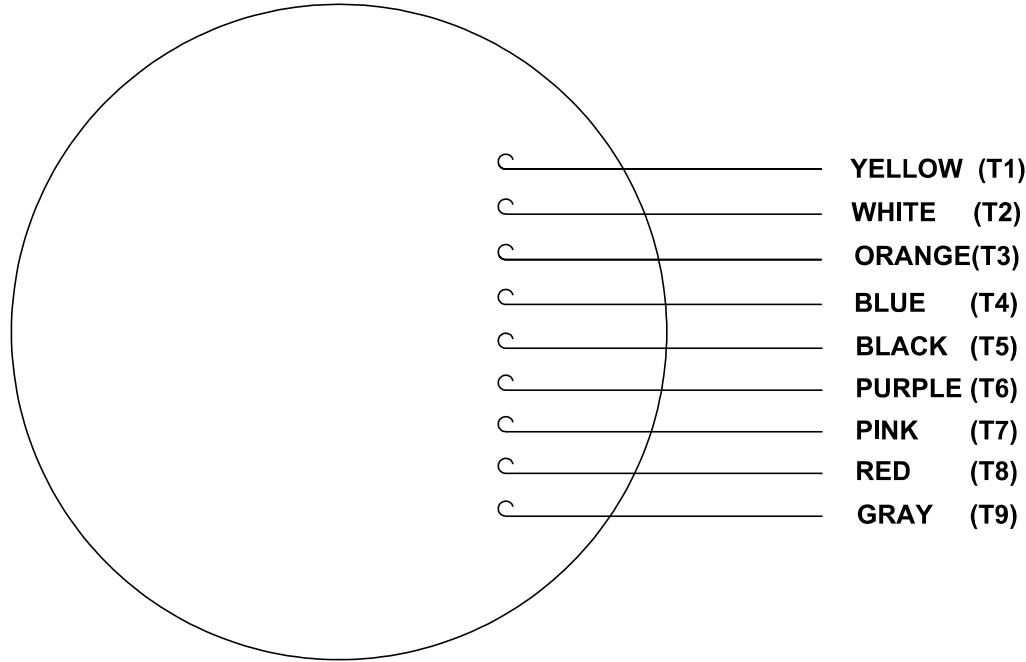


SPECIAL FEATURES:

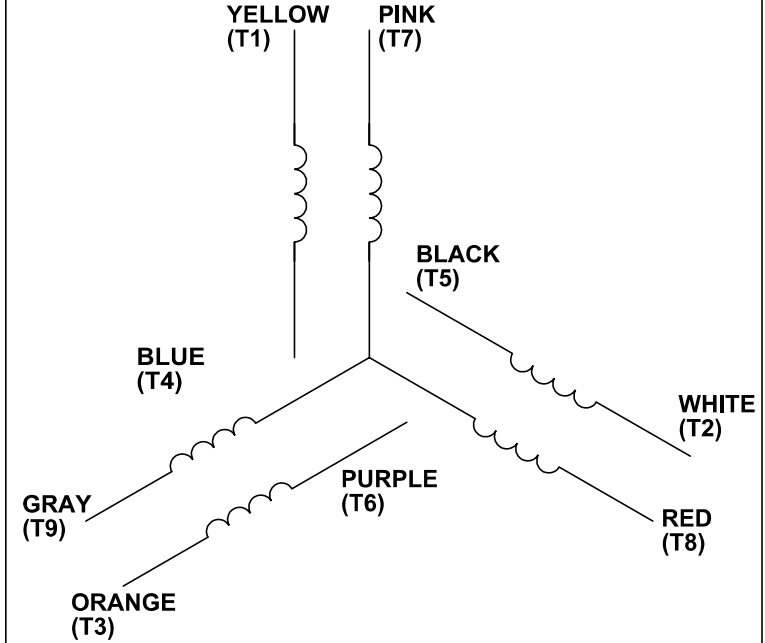
- 1) STAINLESS STEEL CONSTRUCTION
- 2) FULLY ENCAPSULATED MOTOR
- 3) 360° ROTATABLE CONDUIT BOX
- 4) IP69 RATED CONSTRUCTION

DRAWING REVISION J		REVISION BY SP	REV DATE/© DATE 07/09/2021	TOLERANCES (EXCEPT AS NOTED): DEC. INCH - mm ANGLE -X +0.1 [±3] +0.5° -XX ±0.03 [±0.8] -XXX ±0.005 [±0.13] -XXXX ±0.0005 [±0.013]		DRAWN BY LST	WEG DESCRIPTION OUTLINE 180TC FRAME - TEFC - RIGID "C"
ECO CR-0003448		APPROVED BY VJ	DATE 07/09/2021	ECO DESCRIPTION SLOTS REMOVED FROM C FACE TENON CR-0002915 REMOVE BURRS & BREAK SHARP EDGES: .003/.015 [.08/.38] X 45° CORNER FILLETS: R.02 [-5] MACHINED SURFACES: 125/ 3.2 INCH / mm DIMENSIONS IN [BRACKETS] ARE FOR REFERENCE ONLY		DATE 08/02/24	
COPYRIGHT (YR) REVISION DATE (YR) WEG ALL RIGHTS RESERVED. PROPRIETARY AND CONFIDENTIAL INFORMATION. THIS DOCUMENT IS THE PROPERTY OF WEG. OWNERS AND CONTRACTORS OWNERS PROPRIETARY INFORMATION. ANY PERSON, CORPORATION OR OTHER FIRM RECEIVING IT IS DEEMED BY RECEIVING IT TO AGREE THAT IT, AND/OR ANY PART OF IT, SHALL NOT BE DISCLOSED TO ANY PERSON, CORPORATION OR OTHER ENTITY, DUPLICATED, AND/OR USED, EXCEPT AS EXPRESSLY APPROVED IN WRITING IN ADVANCE BY OWNER. THIS DOCUMENT SHALL BE RETURNED TO OWNER UPON REQUEST. IT MAY BE SUBJECT TO CERTAIN RESTRICTIONS UNDER APPLICABLE EXPORT CONTROL LISTS AND REGULATIONS.				REFERENCE THIRD ANGLE PROJECTION		MATERIAL SIZE DRAWING NUMBER OL132646	PROCESS/FINISH SHEET 1 OF 1

VIEW FROM OUTSIDE OF MOTOR AT SWITCH END.



LINE LEADS



VOLTAGE	L1	L2	L3	JOIN & INSULATE
HIGH	T1	T2	T3	(T4,T7) (T5,T8) (T6,T9)
LOW	T1,T7	T2,T8	T3,T9	T4,T5,T6

WEG PROPRIETARY AND CONFIDENTIAL INFORMATION
 This document is the property of WEG including its subsidiaries and divisions and contains proprietary information of WEG. This document is loaned on the express condition that neither it nor the information contained therein shall be disclosed to others without the express written consent of WEG, and that the information shall be used by the recipient only as approved expressly by WEG. This document shall be returned to WEG upon its request. This document may be subject to certain restrictions under U.S. export control laws and regulations.

DRAWING REVISION C	REVISION BY PVR	DATE 08/02/24	TOLERANCES UNLESS OTHERWISE SPECIFIED:		DRAWN BY LST	WEG
ECO ECO-0049985	APPROVED BY JD	DATE 08/02/24	DEC. ± 0.1 [±2.5]	INCH ± 0.01 [±0.25]	DATE 08/02/24	
ECO DESCRIPTION UPDATED PER ECO-0049985			.XXX ± 0.005 [±0.127]		APPROVED BY	LEAD ASSY EXT. WIRING DIA. 3 PH. W/O PROT.
PROPRIETARY AND CONFIDENTIAL INFORMATION - THIS DOCUMENT IS THE PROPERTY OF WEG AND CONTAINS OWNER'S PROPRIETARY INFORMATION. ANY PERSON, CORPORATION OR OTHER FIRM RECEIVING IT IS DEEMED, BY RECEIVING IT, TO AGREE THAT IT, AND/OR ANY PART OF IT, SHALL NOT BE DISCLOSED TO ANY PERSON, CORPORATION OR OTHER ENTITY, DUPLICATED, AND/OR USED, EXCEPT AS EXPRESSLY APPROVED IN WRITING IN ADVANCE BY OWNER. THIS DOCUMENT SHALL BE RETURNED TO OWNER UPON REQUEST. IT MAY BE SUBJECT TO CERTAIN RESTRICTIONS UNDER APPLICABLE EXPORT CONTROL LAWS AND REGULATIONS.			.XXXX ± 0.0005 [±0.0127]		DATE	
COPYRIGHT WEG.			REMOVE BURRS & BREAK SHARP		PROCESS/FINISH	MATERIAL
			EDGES: .003/.015 [.076/.381]		THIRD ANGLE PROJECTION	SIZE A
			CORNER FILLETS: .02 [.51]			DRAWING NUMBER 00501052
			MACHINED SURFACES: 125/3.2 INCH/mm			SHEET 1 OF 1
			mm SHOWN IN [BRACKETS]			