

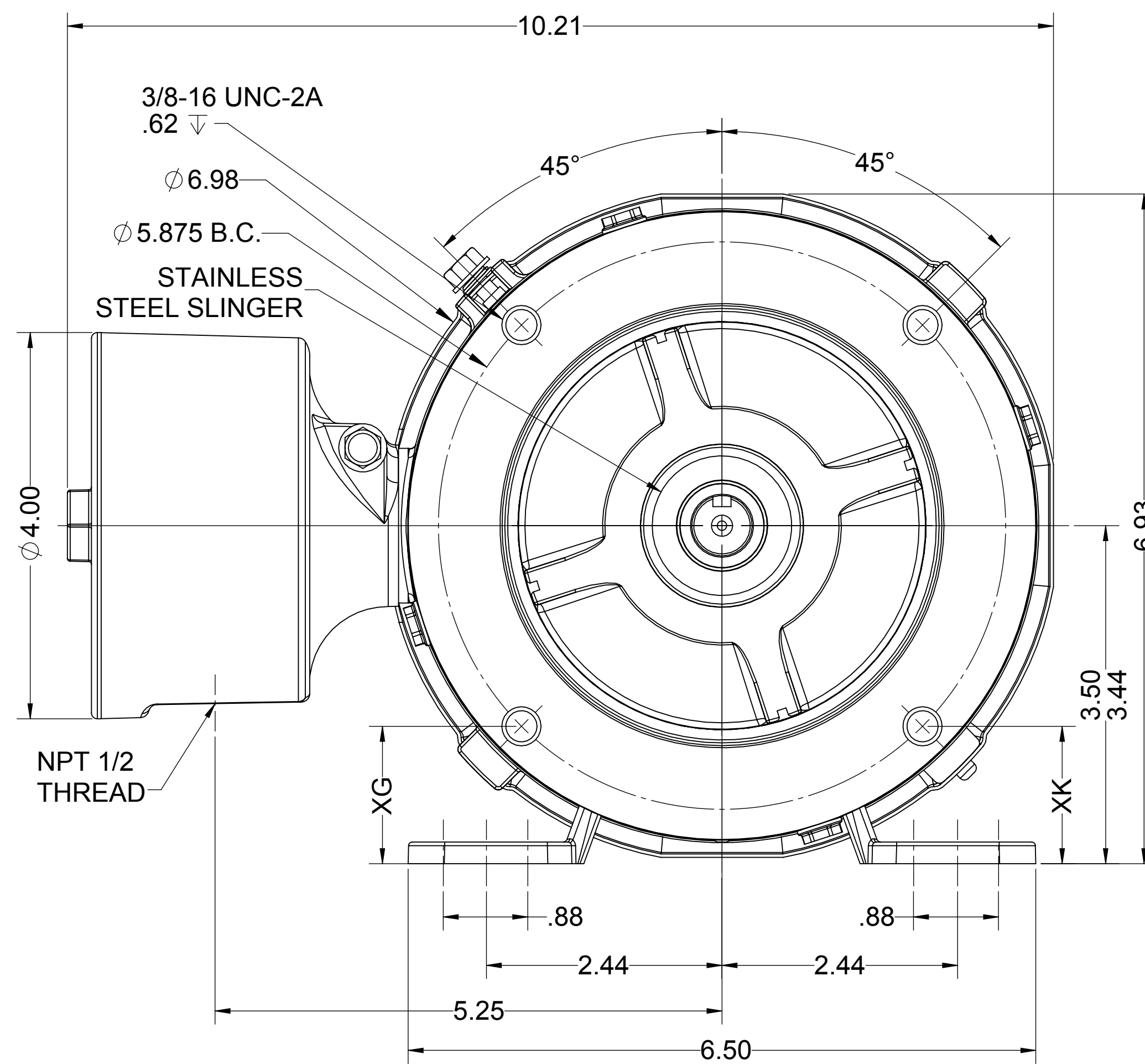
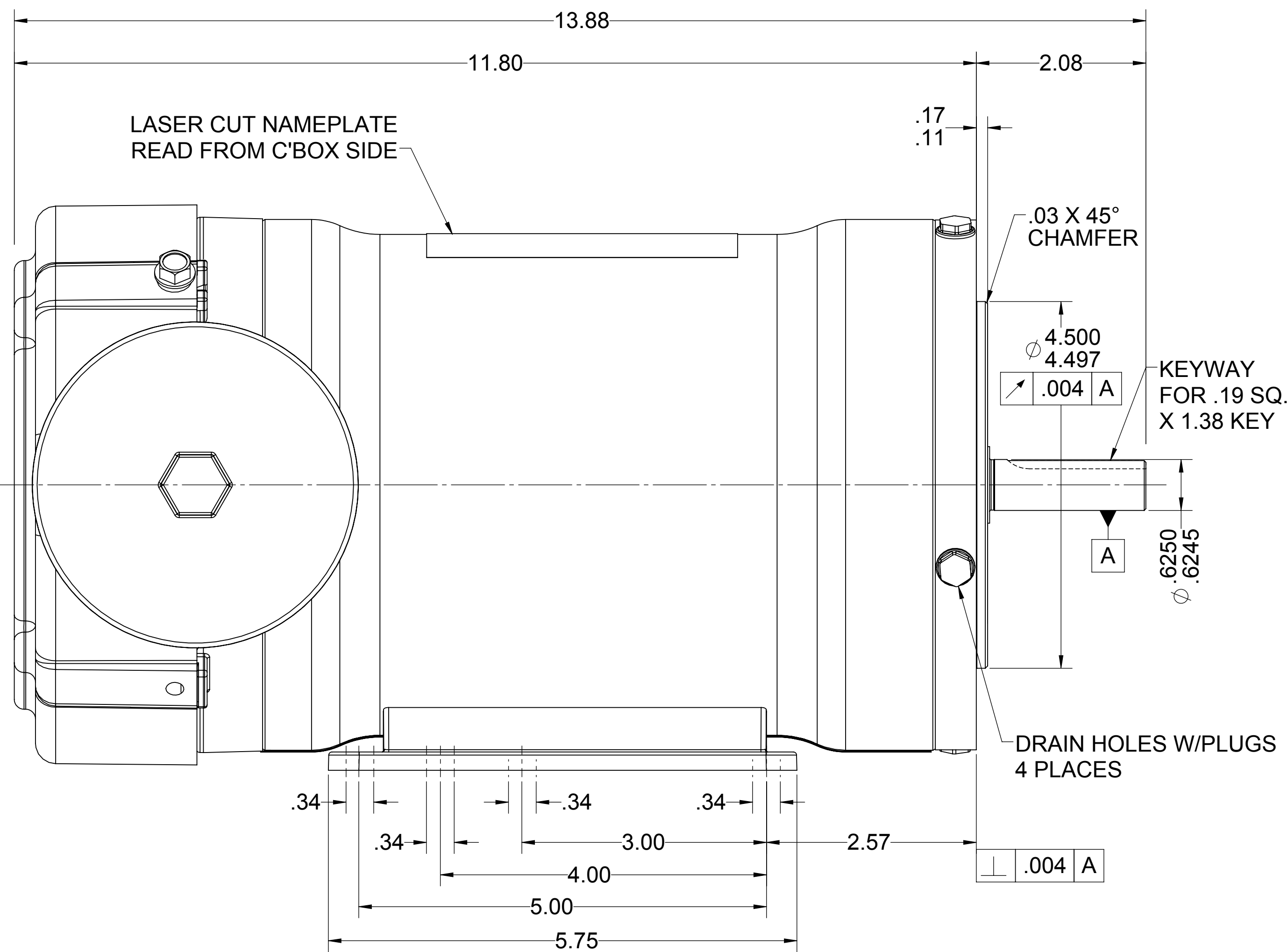
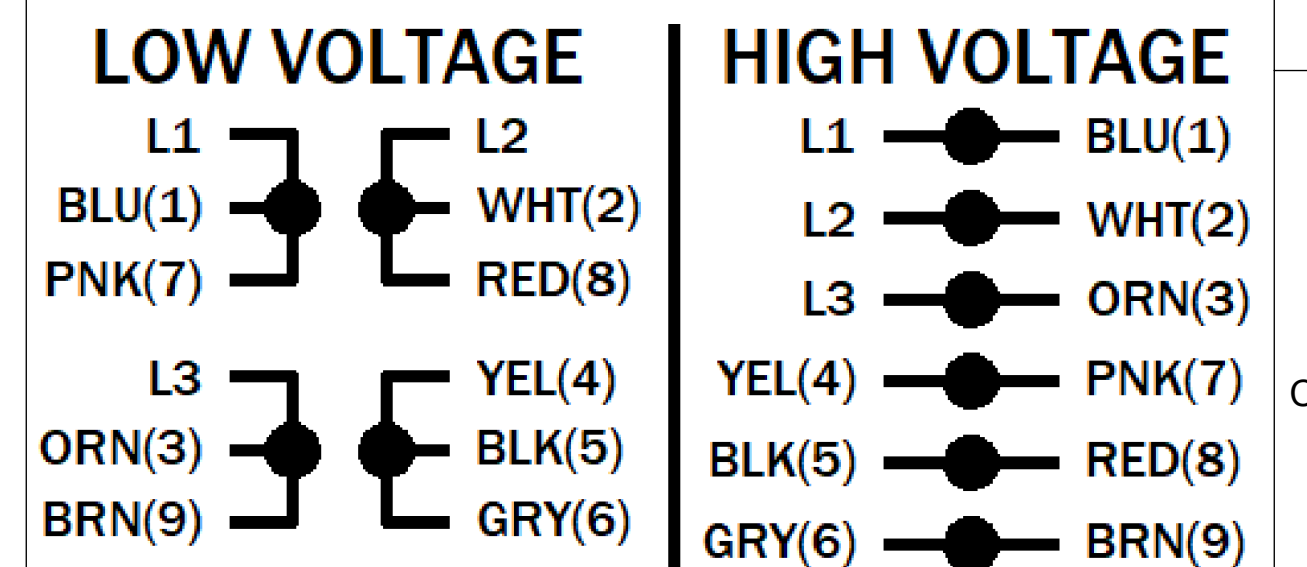
UNLESS OTHERWISE SPECIFIED DIMENSIONS WITHOUT TOLERANCES ARE REFERENCE ONLY

NOTES

LEADS

TERMINAL BLOCK PLUS GROUND

EXTERNAL CONNECTIONS



DIFFERENCE BETWEEN XG AND XK NOT TO EXCEED .03.

MOTOR DATA

TYPE		POLY - INVERTER DUTY		SHAFT MATERIAL		303 S.S. EXTENSION		CUSTOMER NAME		WEG HYDRODUTY	
HZ		60		HZ		50		CUSTOMER PART NUMBER		.5012ET3EHD56C	
VOLTS		230/460		VOLTS		190/380		VIEWING LEAD END		MOTOR ROTATION REV	
HP[kW]		0.5 [-]		Hp[kW]		0.33 [0.246]		ASSEMBLY ROTATION		CW	
RPM		1150		RPM		960		ASSEMBLY VOLTAGE		HIGH	
F.L. AMPS		2.47/1.23		F.L. AMPS		2.35/1.17		THERMAL PROTECTION TYPE		NONE	
S.F. AMPS		2.60/1.30		S.F. AMPS		-		MOUNTING POSITION		ALL POSITIONS	
TIME RATE		CONT		MAX AMB		40		WINDING AND TEST SPEC		-	
KVA CODE		N		INS CLASS		F		DRAWN: DMILOSTAN		02/18/25	

ECN	REV	CHANGE DESCRIPTION	DATE/INITIALS
-	02	ADDED KW VALUE. UPDATED CONNECTION DIAGRAM. ADDED IE2 EFFICIENCY RATING. REMOVED 208V FROM 60HZ. REMOVED NEMA PREMIUM NOM EFFICIENCY.	06/19/2025 ZM
SIZE		DWG NO.	
D		10012728192	
SCALE: 3:4	DO NOT SCALE DRAWING	SHEET 1 OF 2	

10012728192

