

UNLESS OTHERWISE SPECIFIED DIMENSIONS WITHOUT TOLERANCES ARE REFERENCE ONLY

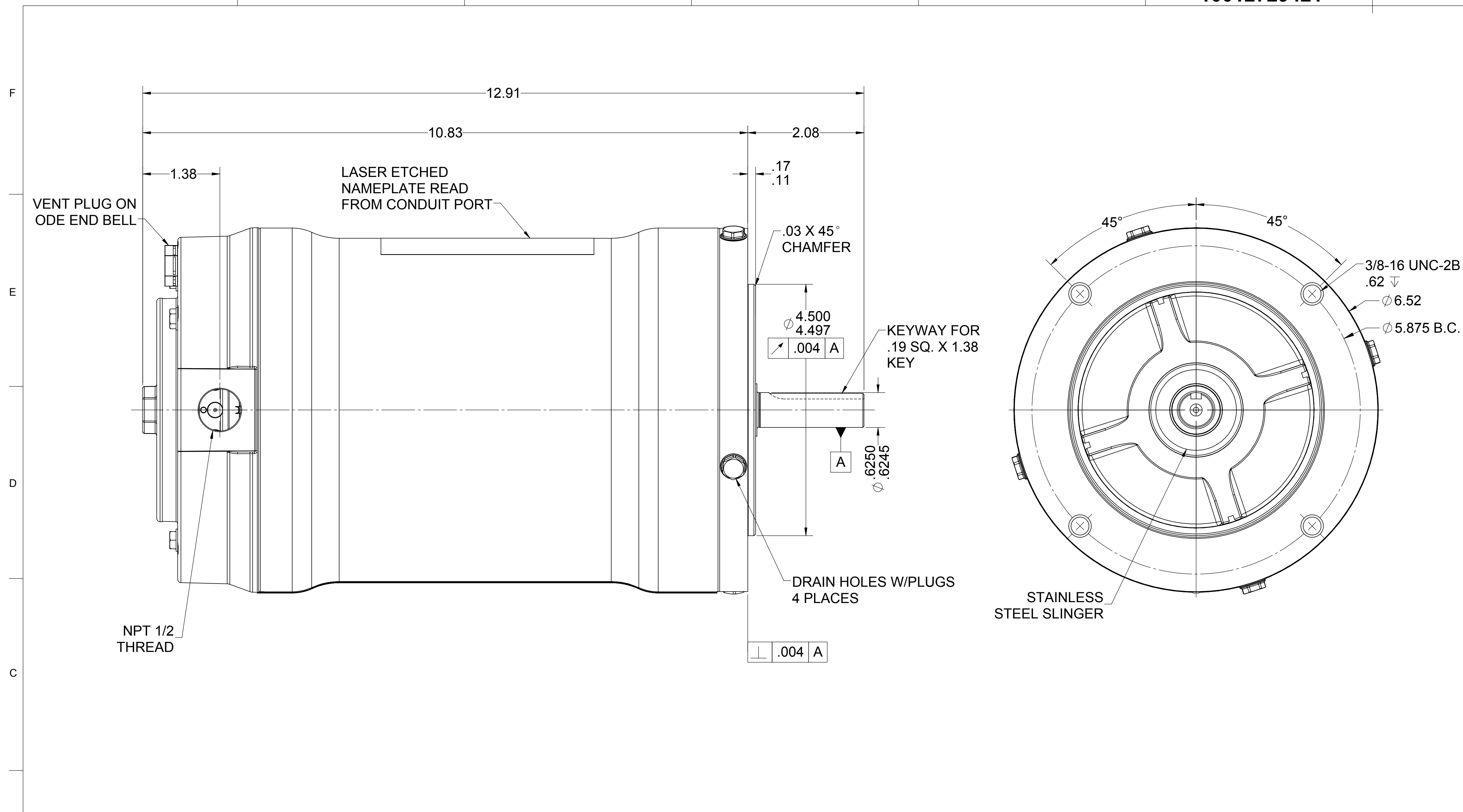
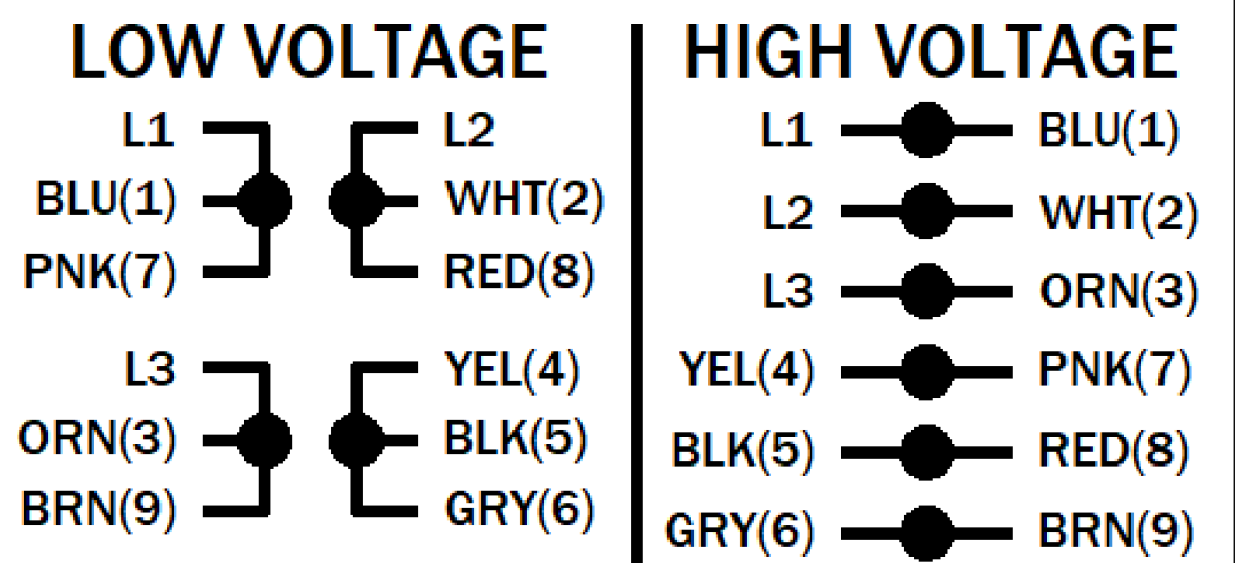
NOTES

- 1. WIRENUTS INCLUDED UNDER CONDUIT COVER.

LEADS

TERMINAL BLOCK PLUS GROUND

EXTERNAL CONNECTIONS



MOTOR DATA

TYPE		POLY - INVERTER DUTY		SHAFT MATERIAL		304 S.S. EXTENSION		CUSTOMER NAME		WEG HYDRODUTY	
HZ		60		HZ		50		FRAME		56C	
VOLTS		230/460		VOLTS		190/380		ENCLOSURE		TENV	
HP[kW]		0.5 []		SF		1.0		ENVIRONMENT		WASHDOWN	
RPM		1750		RPM		1460		I.P.CODE		IP69K	
F.L. AMPS		1.89/0.95		F.L. AMPS		2.05/1.03		NEMA NOM. EFF.		-%	
S.F. AMPS		-		S.F. AMPS		-		BEARINGS		BALL	
TIME RATE		CONT		MAX AMB		40		END CAP		N/R	
KVA CODE		P		INS CLASS		F		ASSEMBLY VOLTAGE		HIGH	
								THERMAL PROTECTION TYPE		NONE	
								MOUNTING POSITION		ALL POSITIONS	
								WINDING AND TEST SPEC		-	
								DRAWN: DMILOSTAN		01/22/25	

ECN	REV	CHANGE DESCRIPTION	DATE/INITIALS
-	03	ADDED IE2 AND EFFICIENCY.	08/15/2025 ZM
THE INFORMATION DISCLOSED HEREIN INCLUDES PROPRIETARY RIGHTS OF WEG. ANY REPRODUCTION OR TRANSFERRAL OF INFORMATION FROM THIS DOCUMENT IS FORBIDDEN WITHOUT PRIOR CONSENT.			
SIZE	DWG NO.		
D	10012729421		
SCALE: 1:1	DO NOT SCALE DRAWING	SHEET 1 OF 1	

10012729421