

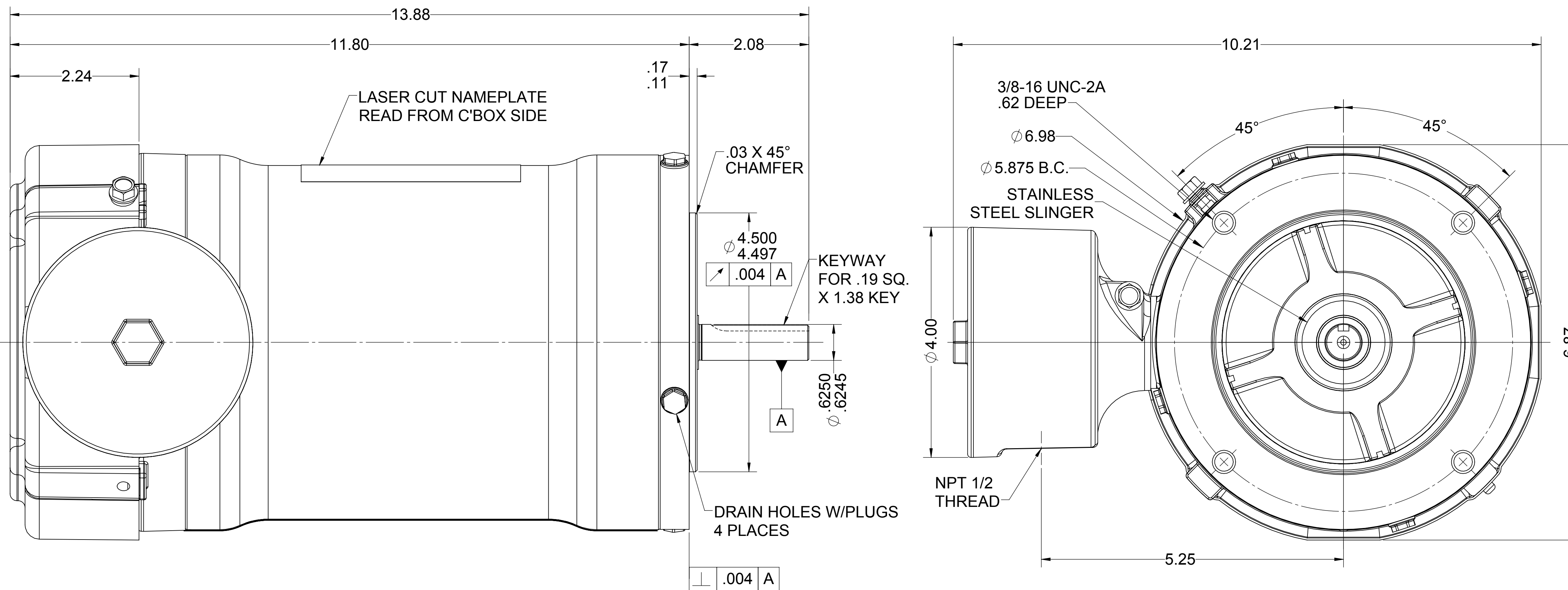
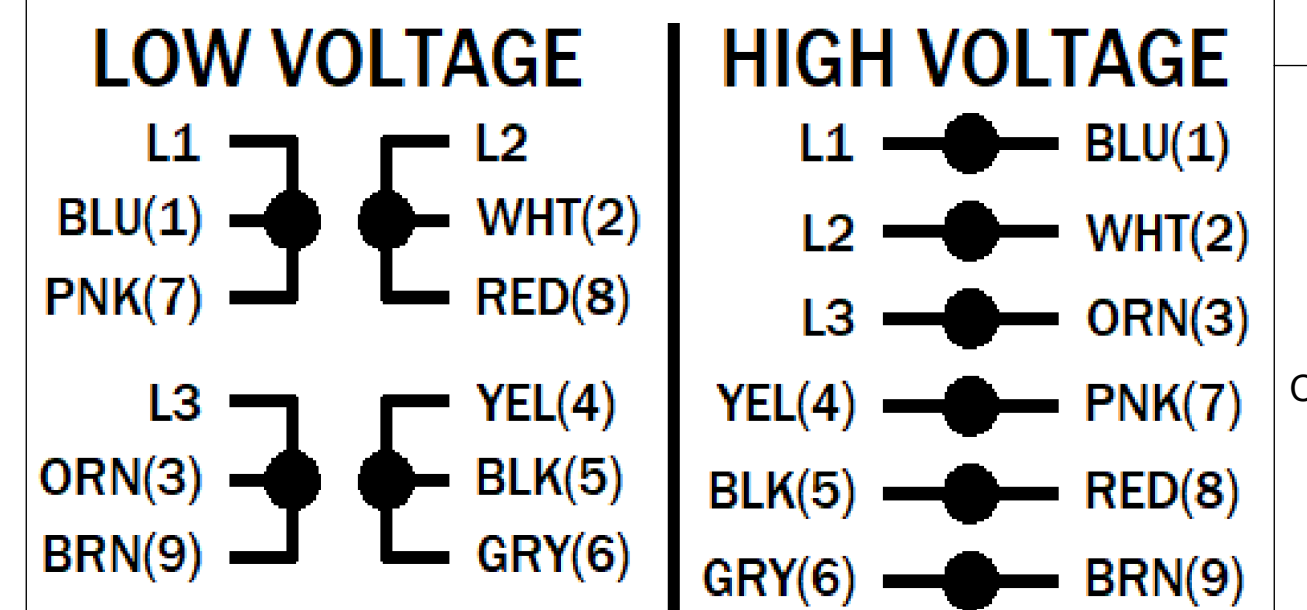
UNLESS OTHERWISE SPECIFIED DIMENSIONS WITHOUT TOLERANCES ARE REFERENCE ONLY

NOTES

LEADS

TERMINAL BLOCK PLUS GROUND

EXTERNAL CONNECTIONS



MOTOR DATA

TYPE POLY - INVERTER DUTY		SHAFT MATERIAL 303 S.S. EXTENSION		CUSTOMER NAME WEG HYDRODUTY	
HZ 60	HZ 50	FRAME 56C	PHASE 3	CUSTOMER PART NUMBER .7518ET3EHD56CFL	
VOLTS 230/460	VOLTS 190/380	ENCLOSURE TEFC	PAINT NONE	VIEWING LEAD END	MOTOR ROTATION REV
HP[kW] 0.75 [-]	SF 1.15	Hp[kW] 0.50 [0.373]	SF 1.0	ENVIRONMENT WASHDOWN	BEARINGS BALL
RPM 1740	RPM 1440	I.P.CODE IP69K	END CAP N/R	ASSEMBLY VOLTAGE HIGH	
F.L. AMPS 2.81/1.41	F.L. AMPS 2.48/1.24	NEMA NOM. EFF. -%	IE2 72.7%	THERMAL PROTECTION TYPE NONE	
S.F. AMPS 3.0/1.5	S.F. AMPS -			MOUNTING POSITION HORIZONTAL	
TIME RATE CONT		MAX AMB 40			
KVA CODE M	INS CLASS F				WINDING AND TEST SPEC -
					DRAWN: DMILOSTAN 01/23/25

ECN	REV 02	CHANGE DESCRIPTION	DATE/INITIALS
		CORRECTED 50Hz POWER TO BE .50. ADDED CATALOG NUMBER. ADDED KW VALUE. UPDATED CONNECTION DIAGRAM. ADDED IE2 EFFICIENCY RATING. REMOVED 208V FROM 60HZ.	06/19/2025 ZM
		THE INFORMATION DISCLOSED HEREIN INCLUDES PROPRIETARY RIGHTS OF WEG. ANY REPRODUCTION OR TRANSFERRAL OF INFORMATION FROM THIS DOCUMENT IS FORBIDDEN WITHOUT PRIOR CONSENT.	
SIZE D	DWG NO. 10012729536		
SCALE: 3:4	DO NOT SCALE DRAWING	SHEET 1 OF 2	

10012729536