

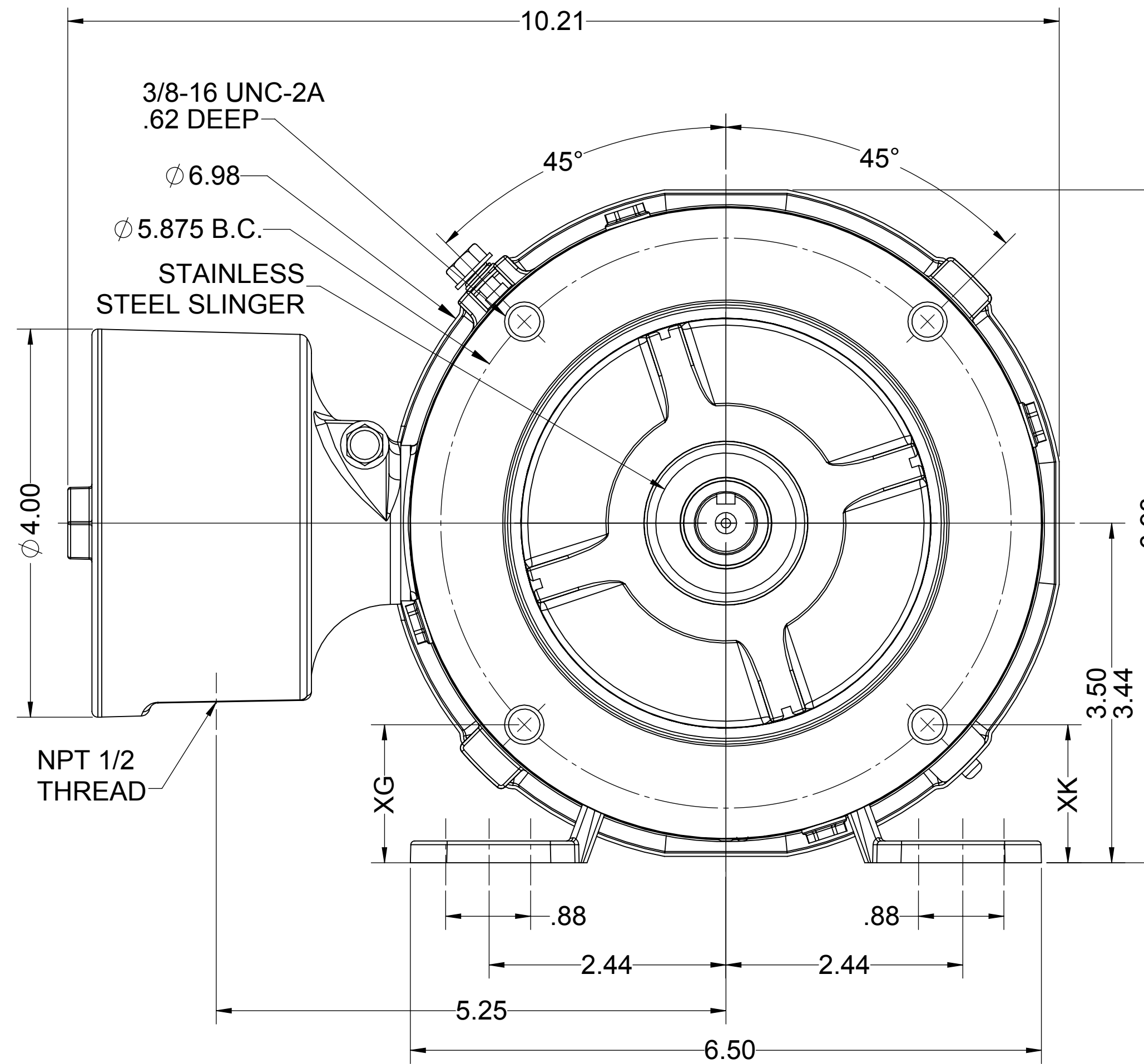
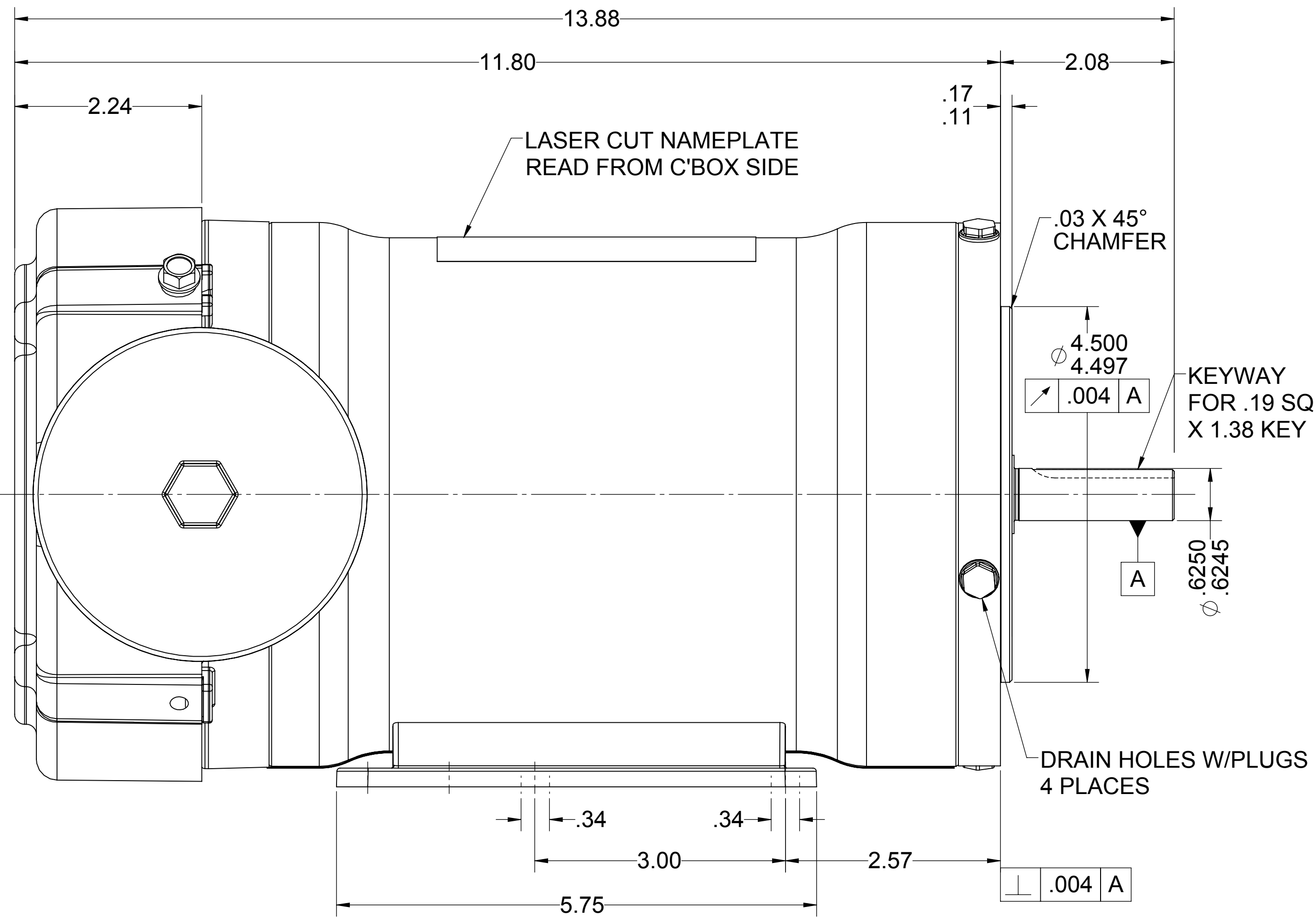
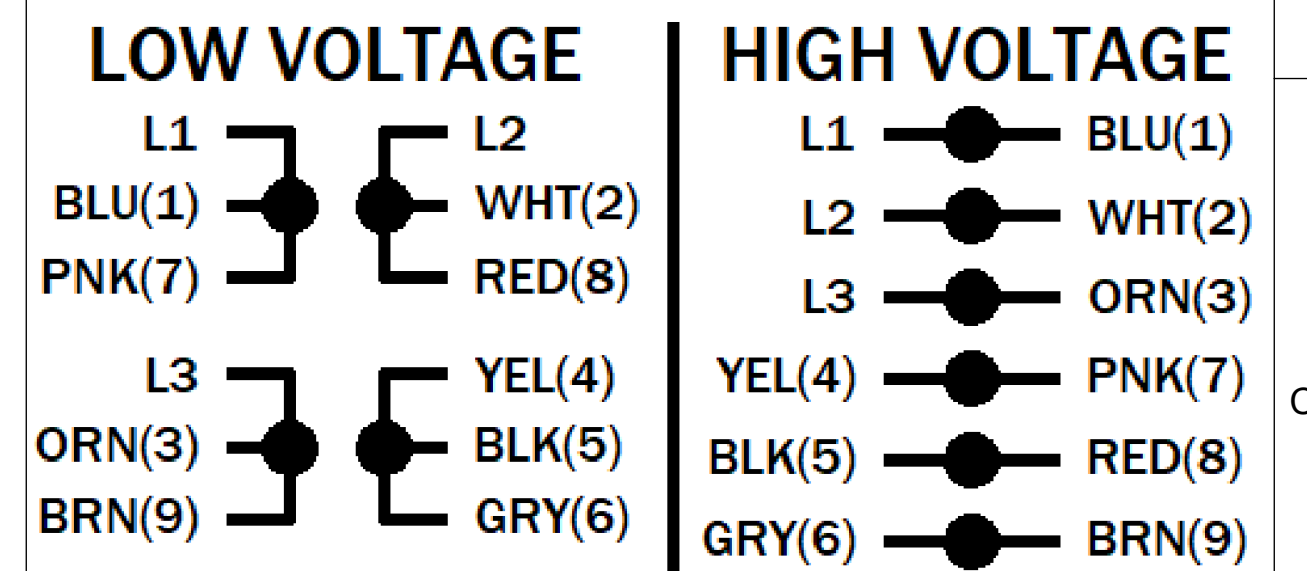
UNLESS OTHERWISE SPECIFIED DIMENSIONS WITHOUT TOLERANCES ARE REFERENCE ONLY

NOTES

LEADS

TERMINAL BLOCK PLUS GROUND

EXTERNAL CONNECTIONS



DIFFERENCE BETWEEN XG AND XK NOT TO EXCEED .03.

MOTOR DATA

TYPE		POLY - INVERTER DUTY		SHAFT MATERIAL		303 S.S. EXTENSION		CUSTOMER NAME		WEG HYDRODUTY	
HZ		60		HZ		50		CUSTOMER PART NUMBER		.7518ET3EHD56C	
VOLTS		230/460		VOLTS		190/380		VIEWING LEAD END		MOTOR ROTATION REV ASSEMBLY ROTATION CW	
HP[kW]		0.75 [-]		SF		1.15		ENVIRONMENT		WASHDOWN	
RPM		1740		RPM		1440		I.P.CODE		IP69K	
F.L. AMPS		2.81/1.41		F.L. AMPS		2.48/1.24		NEMA NOM. EFF.		-%	
S.F. AMPS		3.0/1.5		S.F. AMPS		-		END CAP		N/R	
TIME RATE		CONT		MAX AMB		40		ASSEMBLY VOLTAGE		HIGH	
KVA CODE		M		INS CLASS		F		THERMAL PROTECTION TYPE		NONE	
								MOUNTING POSITION		HORIZONTAL	
								WINDING AND TEST SPEC		-	
								DRAWN: DMILOSTAN		01/24/25	

ECN	REV	CHANGE DESCRIPTION	DATE/INITIALS
	02	CORRECTED 50Hz POWER TO BE .50. ADDED CATALOG NUMBER. ADDED kW VALUE. UPDATED CONNECTION DIAGRAM. ADDED IE2 EFFICIENCY RATING. REMOVED 208V FROM 60HZ.	06/19/2025 ZM
SIZE		DWG NO.	
D		10012729542	
SCALE: 3:4		DO NOT SCALE DRAWING	
		SHEET 1 OF 2	

THE INFORMATION DISCLOSED HEREIN INCLUDES PROPRIETARY RIGHTS OF WEG. ANY REPRODUCTION OR TRANSFERRAL OF INFORMATION FROM THIS DOCUMENT IS FORBIDDEN WITHOUT PRIOR CONSENT.

10012729542