

UNLESS OTHERWISE SPECIFIED DIMENSIONS WITHOUT TOLERANCES ARE REFERENCE ONLY

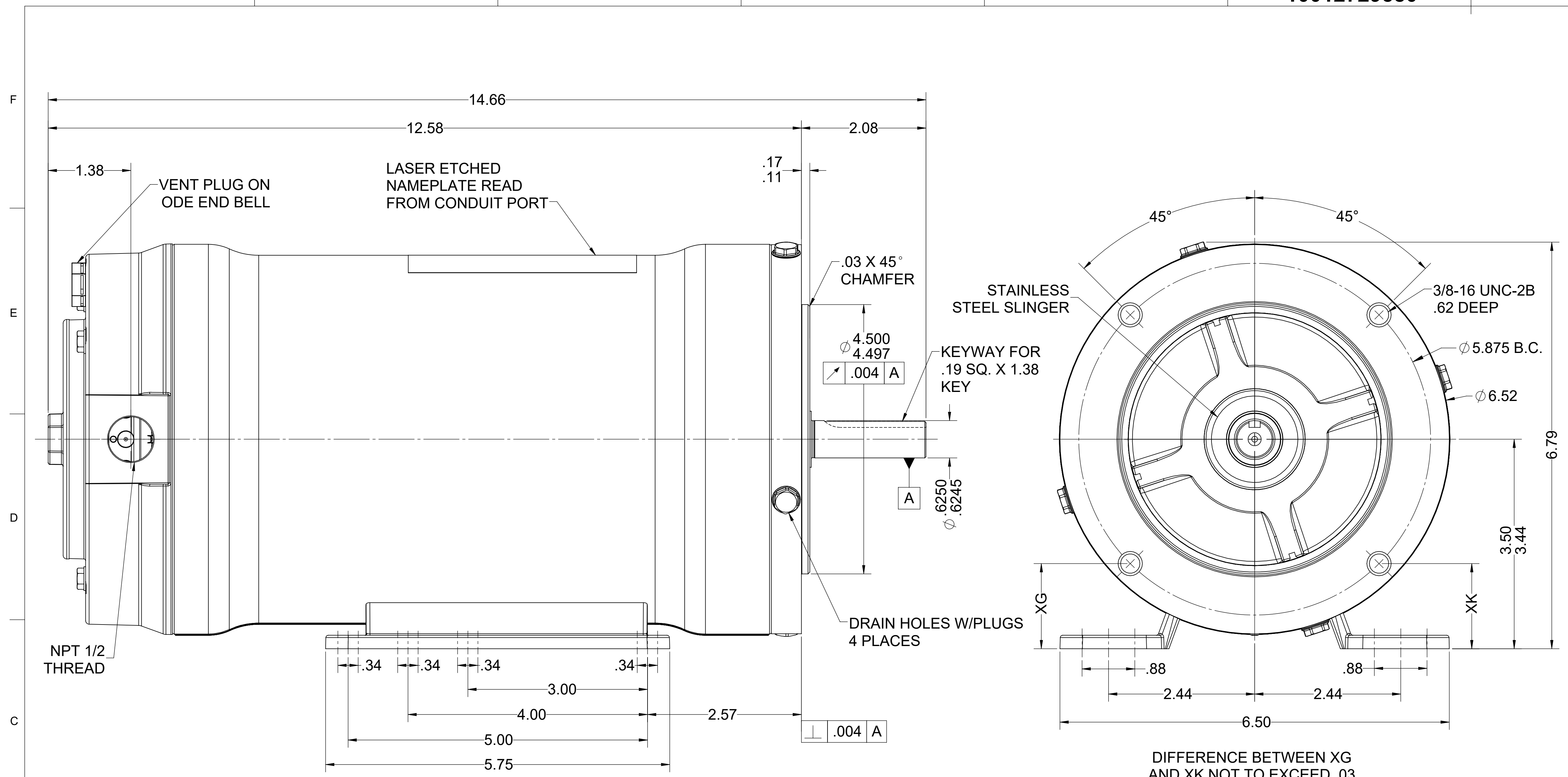
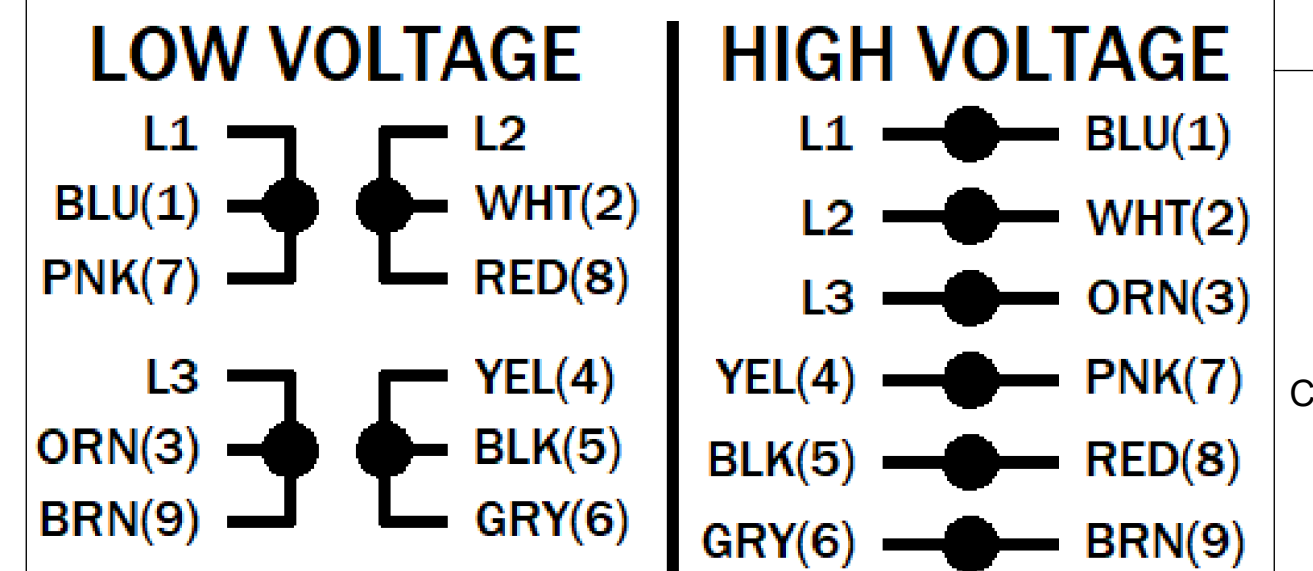
NOTES

- 1. WIRENUTS INCLUDED UNDER CONDUIT COVER.

LEADS


TERMINAL BLOCK PLUS GROUND

EXTERNAL CONNECTIONS



MOTOR DATA

TYPE POLY - INVERTER DUTY		SHAFT MATERIAL 303 S.S. EXTENSION		CUSTOMER NAME WEG HYDRODUTY	
HZ 60	HZ 50	FRAME 56C	PHASE 3	CUSTOMER PART NUMBER 00118NT3EHD56C	
VOLTS 230/460	VOLTS 190/380	ENCLOSURE TENV	PAINT NONE	VIEWING LEAD END	MOTOR ROTATION REV
HP[kW] 1.0 []	SF 1.00	HP[kW] 0.75 [0.560]	SF 1.00	ENVIRONMENT WASHDOWN	ASSEMBLY ROTATION CW
RPM 1750	RPM 1460	I.P.CODE IP69K	END CAP N/R	ASSEMBLY VOLTAGE HIGH	
F.L. AMPS 3.1/1.55	F.L. AMPS 2.94/1.47	NEMA NOM. EFF. 85.5%	IE3 -%	THERMAL PROTECTION TYPE NONE	
S.F. AMPS -	S.F. AMPS -			MOUNTING POSITION ALL POSITIONS	
TIME RATE CONT		MAX AMB 40		WINDING AND TEST SPEC -	
KVA CODE N		INS CLASS F		DRAWN: DMILOSTAN 12/06/24	

ECN	REV	CHANGE DESCRIPTION	DATE/INITIALS
-	02	ADDED CATALOG NUMBER AND NEMA NOMINAL EFFICIENCY. UPDATED RPM, FLA, AND KVA CODE	06/13/2025 IT
<p>THE INFORMATION DISCLOSED HEREIN INCLUDES PROPRIETARY RIGHTS OF WEG. ANY REPRODUCTION OR TRANSFERRAL OF INFORMATION FROM THIS DOCUMENT IS FORBIDDEN WITHOUT PRIOR CONSENT.</p> 			
SIZE	DWG NO.		
D	10012729580		
SCALE: 1:1	DO NOT SCALE DRAWING	SHEET 1 OF 1	

10012729580