

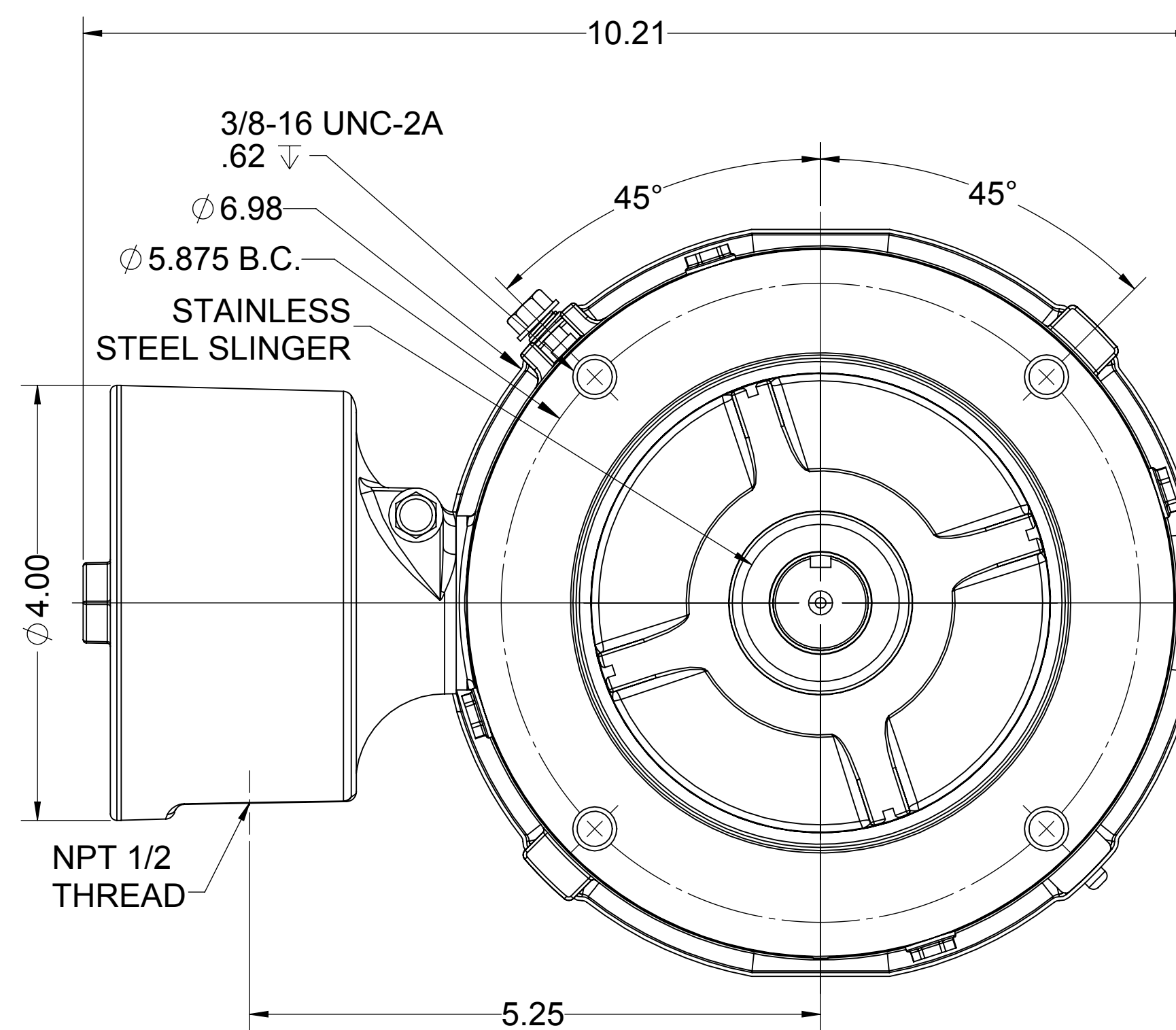
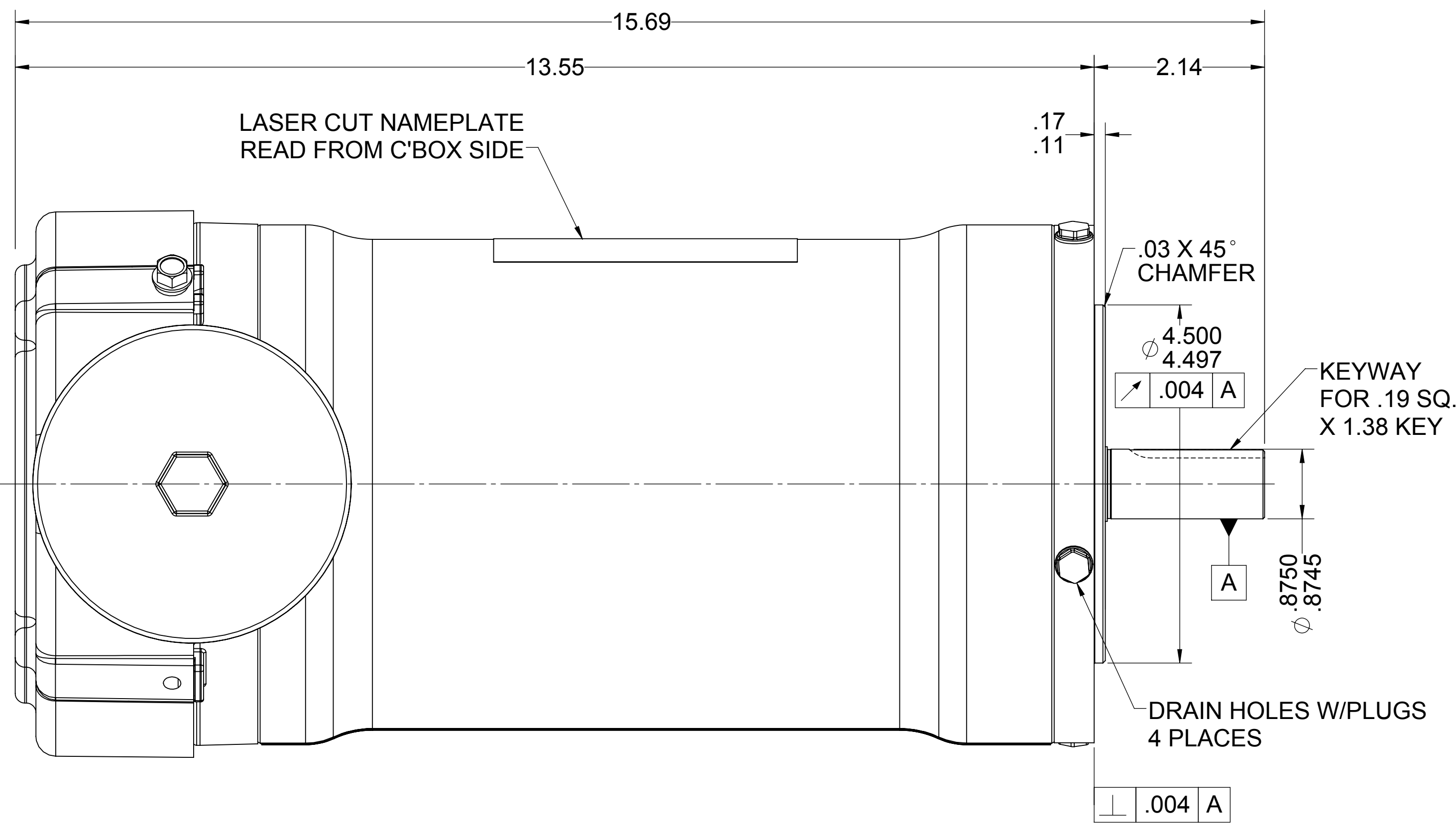
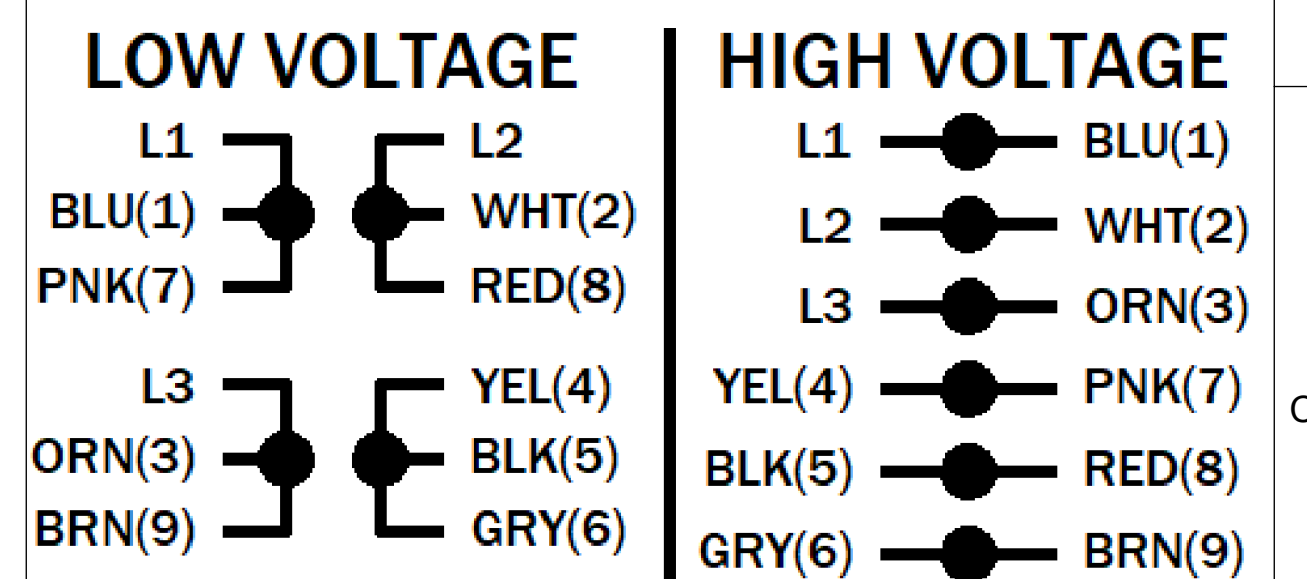
UNLESS OTHERWISE SPECIFIED DIMENSIONS WITHOUT TOLERANCES ARE REFERENCE ONLY

NOTES

LEADS

TERMINAL BLOCK PLUS GROUND

EXTERNAL CONNECTIONS



MOTOR DATA

TYPE		POLY - INVERTER DUTY		SHAFT MATERIAL		304 S.S. EXTENSION		CUSTOMER NAME		WEG HYDRODUTY	
HZ		60		HZ		50		CUSTOMER PART NUMBER		00118ET3EHDR143TC	
VOLTS		230/460		VOLTS		190/380		VIEWING LEAD END		MOTOR ROTATION REV ASSEMBLY ROTATION CW	
HP[kW]		1.0 [-]		SF		1.15		ENVIRONMENT		WASHDOWN	
RPM		1750		RPM		1455		I.P.CODE		IP69K	
F.L. AMPS		3.1/1.55		F.L. AMPS		3.07/1.54		NEMA NOM. EFF.		85.5%	
S.F. AMPS		3.4/1.7		S.F. AMPS		-		END CAP		N/R	
TIME RATE		CONT		MAX AMB		40		THERMAL PROTECTION TYPE		NONE	
KVA CODE		N		INS CLASS		F		MOUNTING POSITION		ALL POSITIONS	
								WINDING AND TEST SPEC		-	
								DRAWN: ITORRES		12/12/24	

ECN	REV	CHANGE DESCRIPTION	DATE/INITIALS
-	04	UPDATE TO NEMA NOMINAL EFFICIENCY, IE EFFICIENCY AND IE CLASS.	07/14/2025 ZM
SIZE		DWG NO.	
D		10012729593	
SCALE: 3:4		DO NOT SCALE DRAWING	
		SHEET 1 OF 2	

10012729593

