

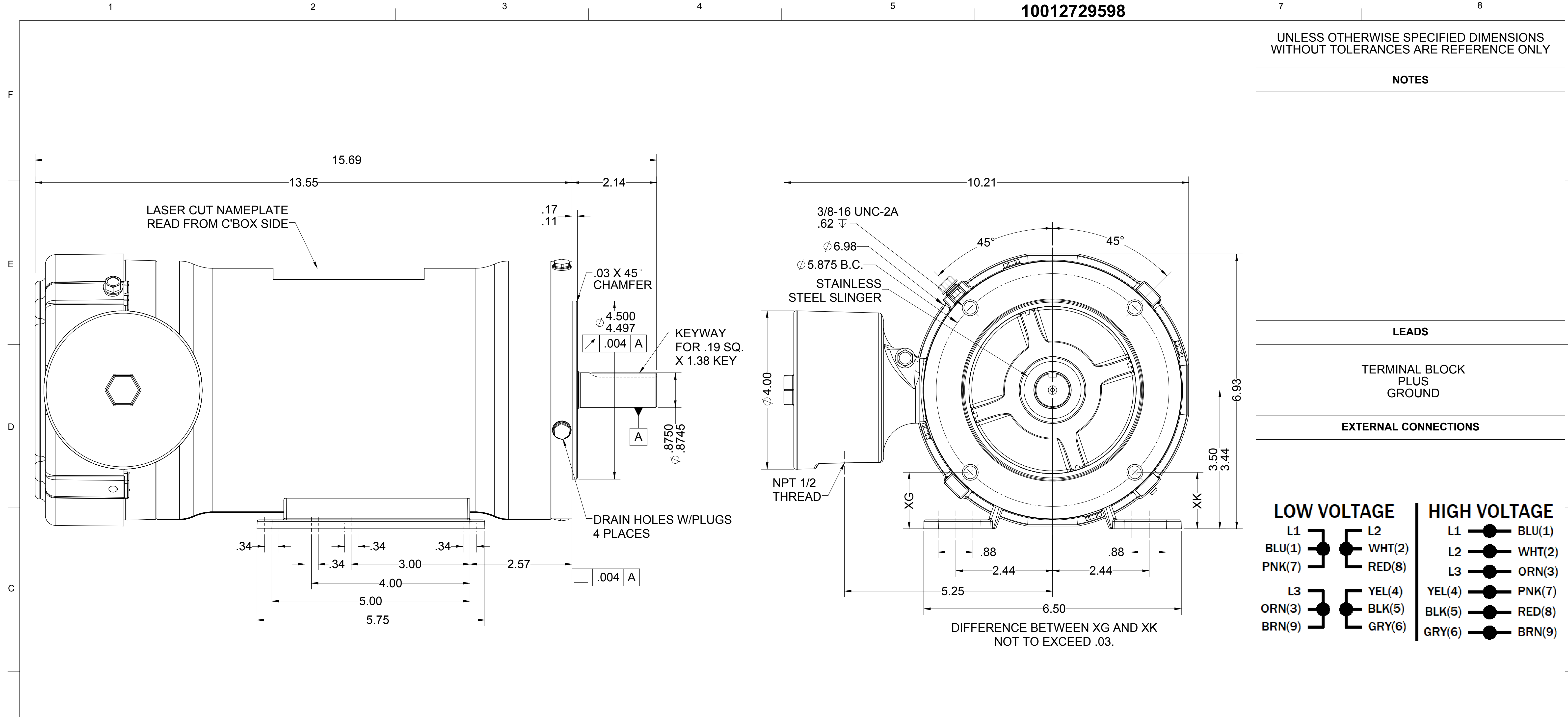
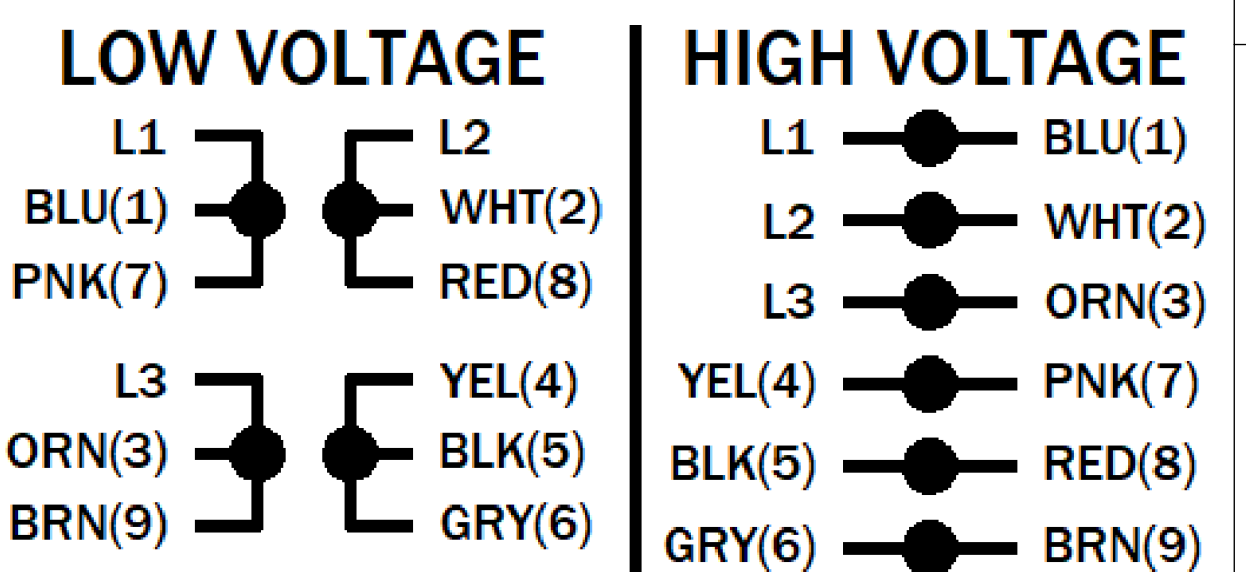
UNLESS OTHERWISE SPECIFIED DIMENSIONS WITHOUT TOLERANCES ARE REFERENCE ONLY

NOTES

LEADS

TERMINAL BLOCK PLUS GROUND

EXTERNAL CONNECTIONS



MOTOR DATA

<b>TYPE</b> POLY - INVERTER DUTY		<b>SHAFT MATERIAL</b> 304 S.S. EXTENSION		<b>CUSTOMER NAME</b> WEG HYDRODUTY	
<b>HZ</b> 60	<b>HZ</b> 50	<b>FRAME</b> 143/5TC	<b>PHASE</b> 3	<b>CUSTOMER PART NUMBER</b> 00118ET3EHD143TC	
<b>VOLTS</b> 230/460	<b>VOLTS</b> 190/380	<b>ENCLOSURE</b> TEFC	<b>PAINT</b> NONE	<b>VIEWING LEAD END</b>	<b>MOTOR ROTATION</b> REV
<b>HP[kW]</b> 1.0 [- ]	<b>SF</b> 1.15	<b>HP[kW]</b> 0.75 [0.560]	<b>SF</b> 1.0	<b>ENVIRONMENT</b> WASHDOWN	<b>ASSEMBLY ROTATION</b> CW
<b>RPM</b> 1740	<b>RPM</b> 1450	<b>I.P.CODE</b> IP69K	<b>END CAP</b> N/R	<b>ASSEMBLY VOLTAGE</b> HIGH	
<b>F.L. AMPS</b> 3.10/1.55	<b>F.L. AMPS</b> 2.95/1.48	<b>NEMA NOM. EFF.</b> 85.5%	<b>IE2</b> 77.1%	<b>THERMAL PROTECTION TYPE</b> NONE	
<b>S.F. AMPS</b> 3.4/1.7	<b>S.F. AMPS</b> -			<b>MOUNTING POSITION</b> ALL POSITIONS	
<b>TIME RATE</b> CONT		<b>MAX AMB</b> 40		<b>WINDING AND TEST SPEC</b> -	
<b>KVA CODE</b> N	<b>INS CLASS</b> F			<b>DRAWN: DMILOSTAN 12/06/24</b>	

<b>ECN</b>	<b>REV</b> 04	<b>CHANGE DESCRIPTION</b>	<b>DATE/INITIALS</b>
		UPDATE TO CONNECTION DIAGRAM, IE EFFICIENCY AND IE RATING. ADDED CATALOG NUMBER AND KW VALUE FOR 50HZ.	08/17/2025 ZM
SIZE <b>D</b>		DWG NO. <b>10012729598</b>	
SCALE: 3:4		DO NOT SCALE DRAWING	SHEET 1 OF 2

10012729598

