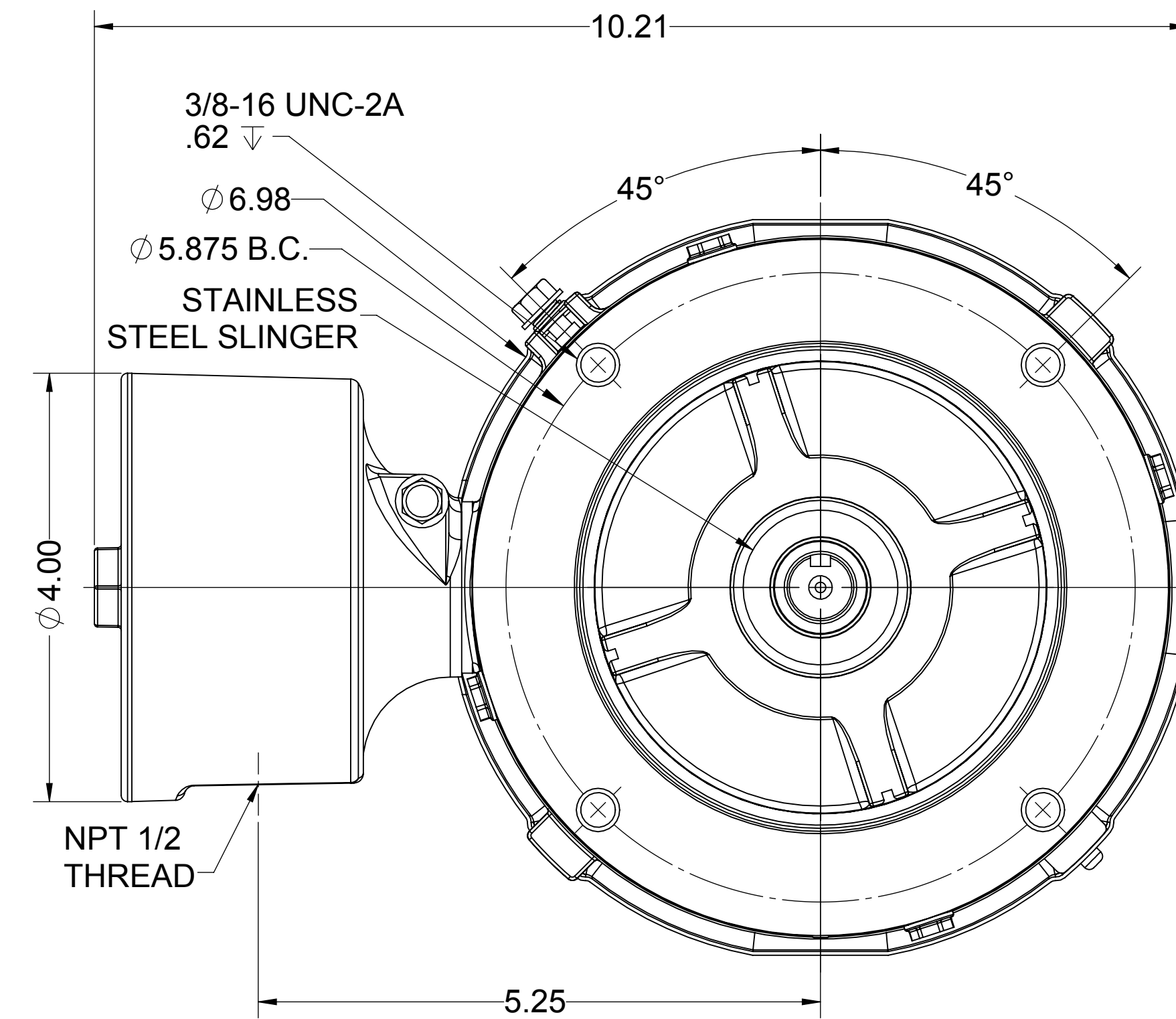
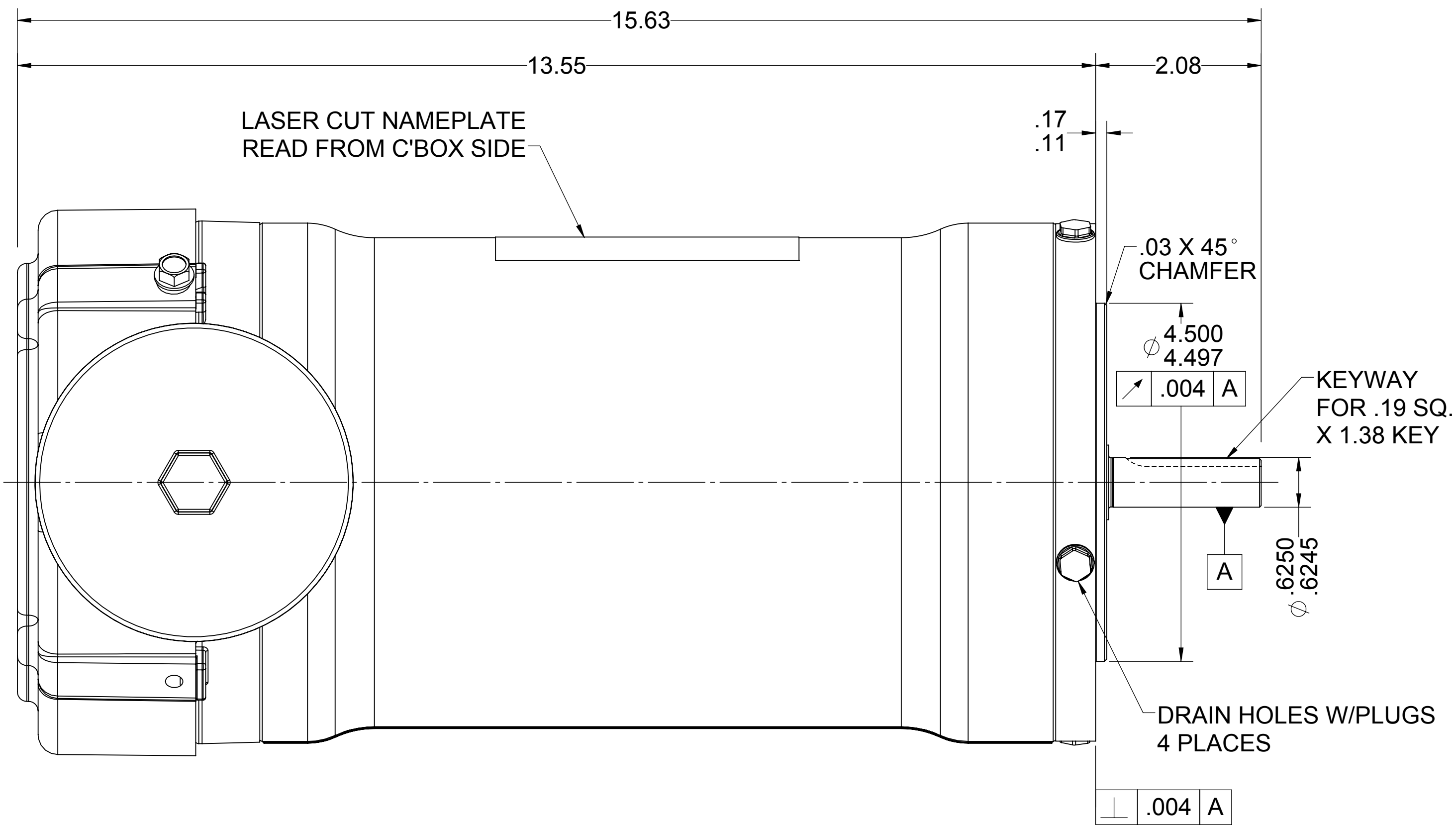


UNLESS OTHERWISE SPECIFIED DIMENSIONS WITHOUT TOLERANCES ARE REFERENCE ONLY

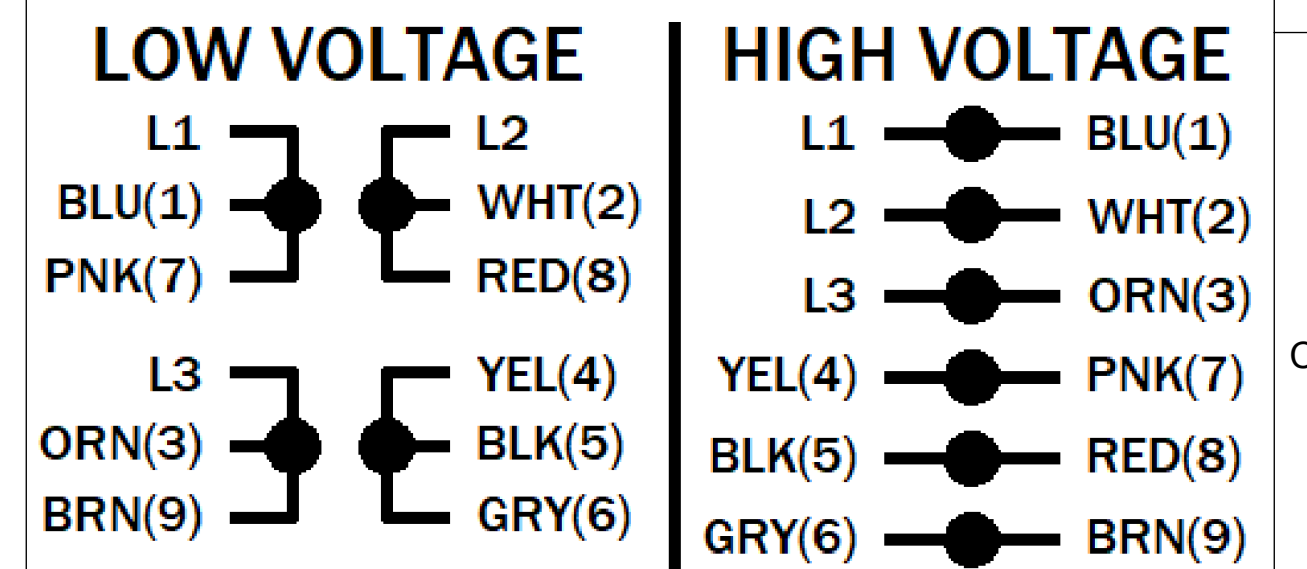
NOTES



LEADS

TERMINAL BLOCK PLUS GROUND

EXTERNAL CONNECTIONS



MOTOR DATA

TYPE		POLY - INVERTER DUTY		SHAFT MATERIAL		304 S.S. EXTENSION		CUSTOMER NAME		WEG HYDRODUTY	
HZ		60		HZ		50		FRAME		56C	
VOLTS		230/460		VOLTS		190/380		ENCLOSURE		TEFC	
HP[kW]		1.0 [-]		SF		1.15		ENVIRONMENT		WASHDOWN	
RPM		1740		RPM		1450		I.P.CODE		IP69K	
F.L. AMPS		3.10/1.55		F.L. AMPS		2.95/1.48		NEMA NOM. EFF.		85.5%	
S.F. AMPS		3.4/1.7		S.F. AMPS		-		BEARINGS		BALL	
TIME RATE		CONT		MAX AMB		40		END CAP		N/R	
KVA CODE		N		INS CLASS		F		ASSEMBLY VOLTAGE		HIGH	
								THERMAL PROTECTION TYPE		NONE	
								MOUNTING POSITION		ALL POSITIONS	
								WINDING AND TEST SPEC		-	
								DRAWN: DMILOSTAN		12/06/24	

ECN	REV	CHANGE DESCRIPTION	DATE/INITIALS
	03	ADDED CATALOG NUMBER AND KW VALUE. UPDATED CONNECTION DIAGRAM, EFFICIENCY VALUES, AND IE RATING.	07/31/2025 ZM
SIZE		DWG NO.	
D		10012729613	
SCALE: 5:6		DO NOT SCALE DRAWING	
		SHEET 1 OF 2	

10012729613

