

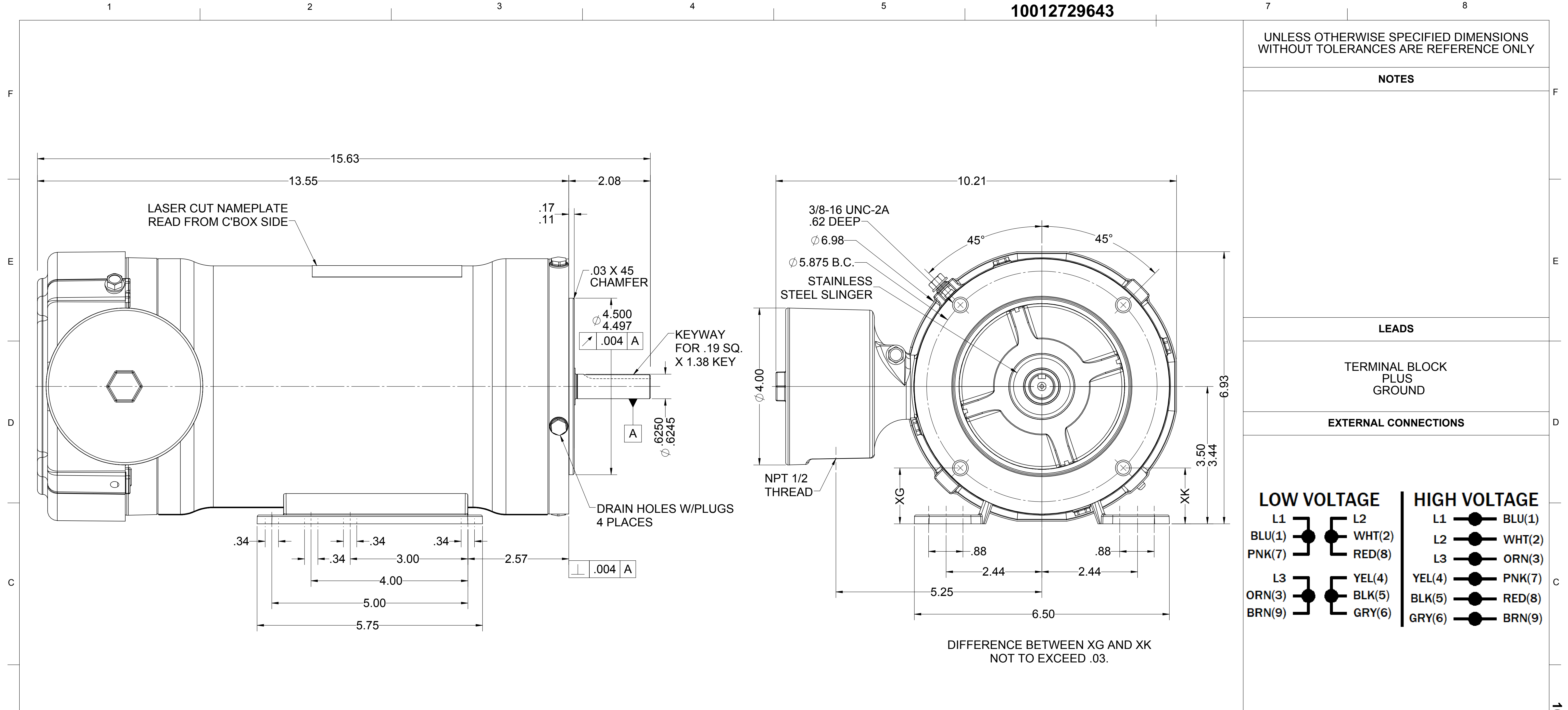
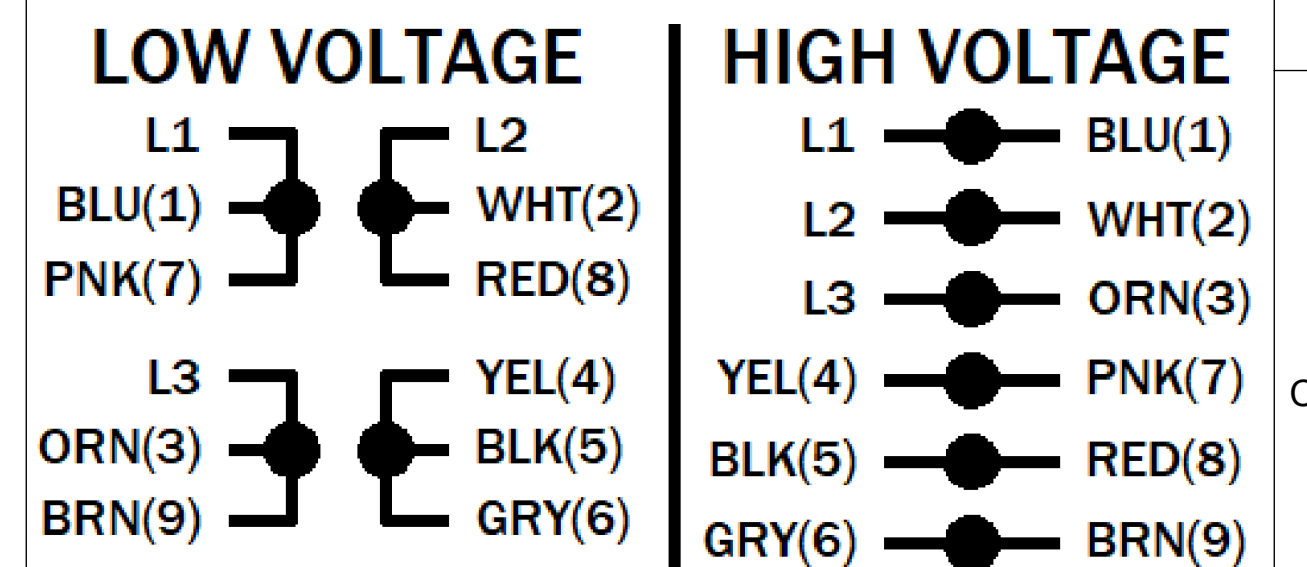
UNLESS OTHERWISE SPECIFIED DIMENSIONS WITHOUT TOLERANCES ARE REFERENCE ONLY

NOTES

LEADS


TERMINAL BLOCK PLUS GROUND

EXTERNAL CONNECTIONS



MOTOR DATA

|                                  |                            |  |                    |  |                                  |
|----------------------------------|----------------------------|--|--------------------|--|----------------------------------|
| <b>TYPE</b> POLY - INVERTER DUTY |                            | <b>SHAFT MATERIAL</b> 304 S.S. EXTENSION |                    | <b>CUSTOMER NAME</b> WEG HYDRODUTY         |                                  |
| <b>HZ</b> 60                     | <b>HZ</b> 50               | <b>FRAME</b> 56C                         | <b>PHASE</b> 3     | <b>CUSTOMER PART NUMBER</b> 00218ET3EHD56C |                                  |
| <b>VOLTS</b> 230/460             | <b>VOLTS</b> 190/380       | <b>ENCLOSURE</b> TEFC                    | <b>PAINT</b> NONE  | <b>VIEWING LEAD END</b>                    | <b>MOTOR ROTATION</b> REV        |
| <b>HP[kW]</b> 2.0 [- ]           | <b>SF</b> 1.15             | <b>HP[kW]</b> 1.5 [1.119]                | <b>SF</b> 1.00     | <b>ENVIRONMENT</b> WASHDOWN                | <b>BEARINGS</b> BALL             |
| <b>RPM</b> 1730                  | <b>RPM</b> 1440            | <b>I.P.CODE</b> IP69K                    | <b>END CAP</b> N/R | <b>ASSEMBLY VOLTAGE</b> HIGH               |                                  |
| <b>F.L. AMPS</b> 5.88/2.94       | <b>F.L. AMPS</b> 5.52/2.76 | <b>NEMA NOM. EFF.</b> 86.5%              | <b>IE3</b> 84.1%   | <b>THERMAL PROTECTION TYPE</b> NONE        |                                  |
| <b>S.F. AMPS</b> 6.9/3.45        | <b>S.F. AMPS</b> -         |  |                    | <b>MOUNTING POSITION</b> ALL POSITIONS     |                                  |
| <b>TIME RATE</b> CONT            |                            | <b>MAX AMB</b> 40                        |                    |  |                                  |
| <b>KVA CODE</b> L                | <b>INS CLASS</b> F         |  |                    |  | <b>WINDING AND TEST SPEC</b> -   |
|                                  |                            |  |                    |  | <b>DRAWN:</b> DMILOSTAN 12/17/24 |

|                   |                            |   |                      |
|-------------------|----------------------------|---|----------------------|
| <b>ECN</b>        | <b>REV</b> 02              | <b>CHANGE DESCRIPTION</b>   | <b>DATE/INITIALS</b> |
|                   |                            | UPDATE EXTERNAL CONNECTIONS. ADD CATALOG NUMBER. UPDATE EFFICIENCY VALUES.  | 07/14/2025 ZM        |
|                   |                            | <p>THE INFORMATION DISCLOSED HEREIN INCLUDES PROPRIETARY RIGHTS OF WEG. ANY REPRODUCTION OR TRANSFERRAL OF INFORMATION FROM THIS DOCUMENT IS FORBIDDEN WITHOUT PRIOR CONSENT.</p>  |                      |
| <b>SIZE</b> D     | <b>DWG NO.</b> 10012729643 |   |                      |
| <b>SCALE:</b> 5:6 | DO NOT SCALE DRAWING       | SHEET 1 OF 2  |                      |

10012729643