

UNLESS OTHERWISE SPECIFIED DIMENSIONS WITHOUT TOLERANCES ARE REFERENCE ONLY

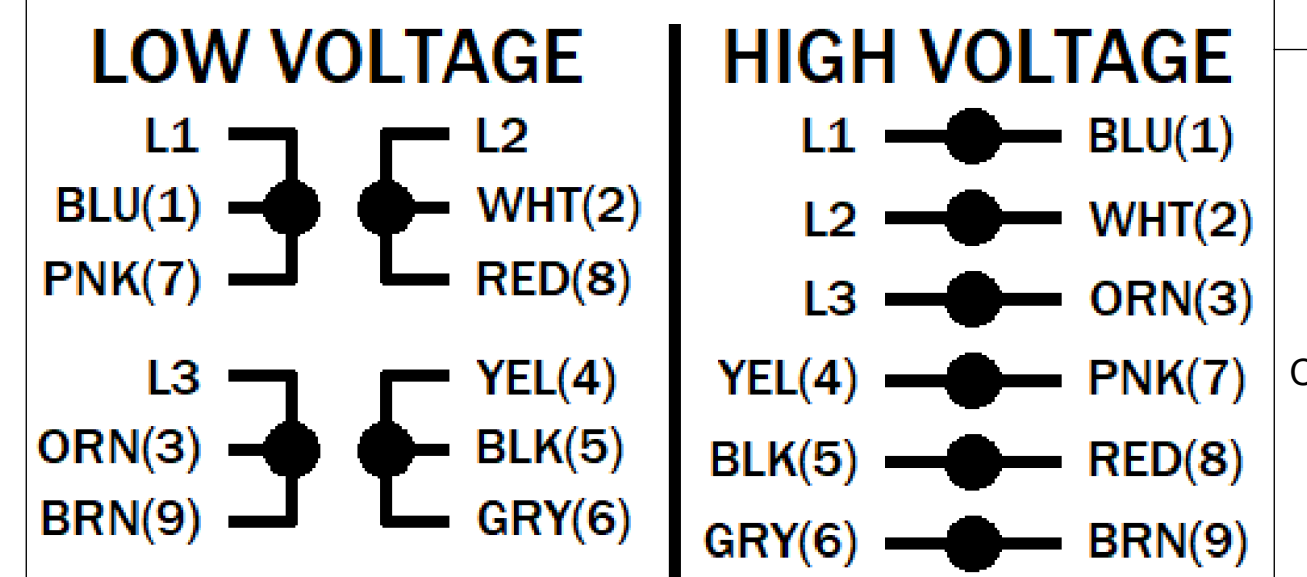
NOTES

- 1. WIRENUTS INCLUDED UNDER CONDUIT COVER.

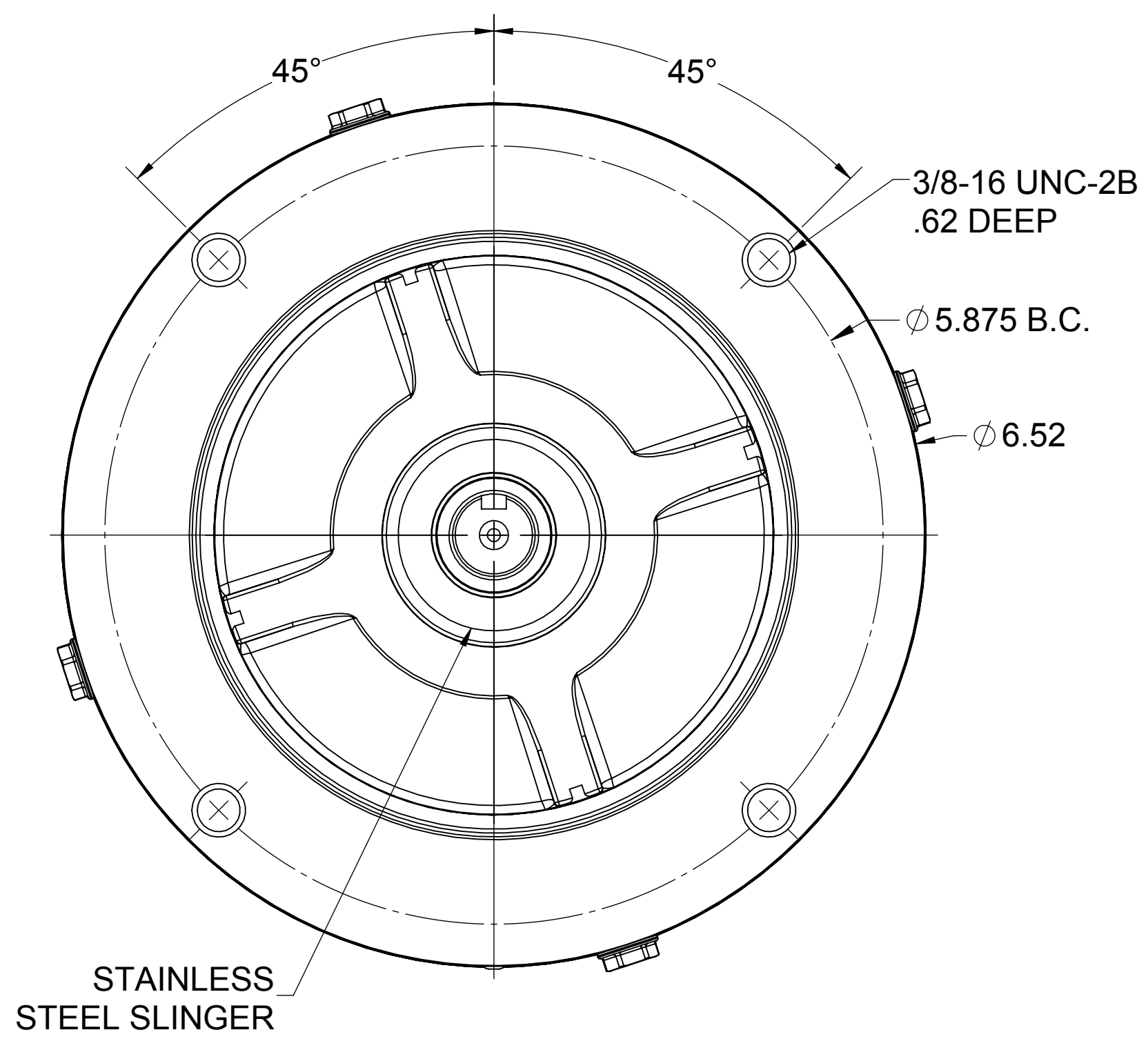
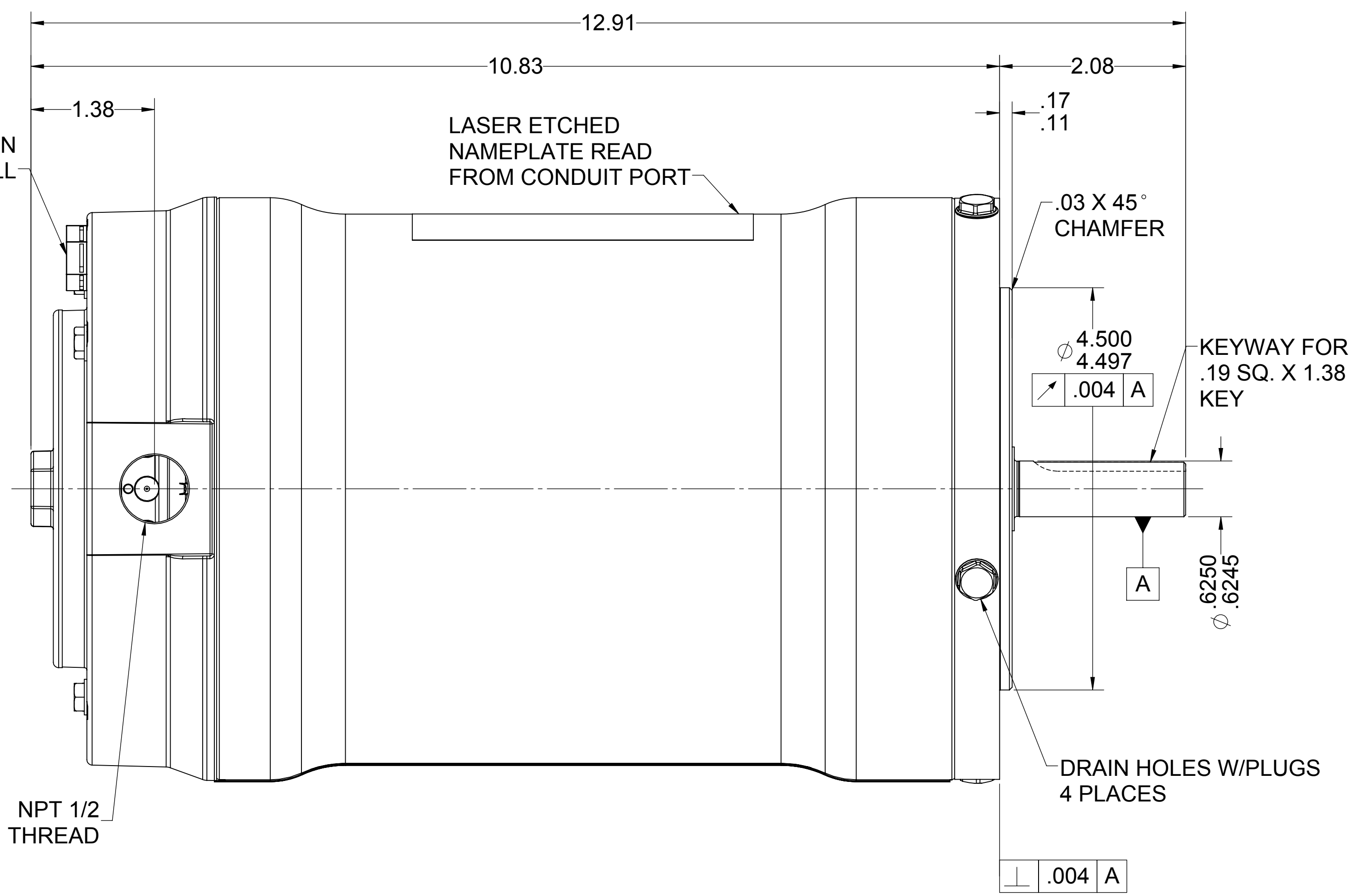
LEADS

TERMINAL BLOCK PLUS GROUND

EXTERNAL CONNECTIONS



F  
E  
D  
C  
B  
A

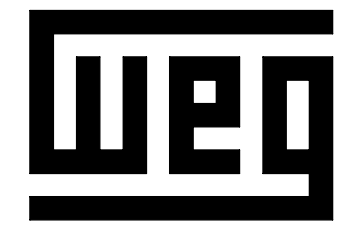


MOTOR DATA

TYPE		POLY - INVERTER DUTY		SHAFT MATERIAL		304 S.S. EXTENSION		CUSTOMER NAME		WEG HYDRODUTY	
HZ		60		HZ		50		FRAME		56C	
VOLTS		230/460		VOLTS		190/380		ENCLOSURE		TENV	
HP[kW]		0.75 [ ]		SF		1.15		ENVIRONMENT		WASHDOWN	
RPM		3450		RPM		2875		I.P.CODE		IP69K	
F.L. AMPS		2.2/1.1		F.L. AMPS		2.4/1.2		NEMA NOM. EFF.		-%	
S.F. AMPS		2.4/1.2		S.F. AMPS		-		PHASE		3	
TIME RATE		CONT		MAX AMB		40		PAINT		NONE	
KVA CODE		N		INS CLASS		F		BEARINGS		BALL	
								VIEWING LEAD END		MOTOR ROTATION	
								ASSEMBLY ROTATION		CW	
								ASSEMBLY VOLTAGE		HIGH	
								THERMAL PROTECTION TYPE		NONE	
								MOUNTING POSITION		ALL POSITIONS	
								WINDING AND TEST SPEC		-	
								DRAWN: DMILOSTAN		01/24/25	

ECN	REV	CHANGE DESCRIPTION	DATE/INITIALS
-	03	ADDED IE2 AND IE2 EFFICIENCY RATING.	07/23/2025 ZM
SIZE		DWG NO.	
D		10012729660	
SCALE: 1:1	DO NOT SCALE DRAWING	SHEET 1 OF 1	

10012729660



THE INFORMATION DISCLOSED HEREIN INCLUDES PROPRIETARY RIGHTS OF WEG. ANY REPRODUCTION OR TRANSFERRAL OF INFORMATION FROM THIS DOCUMENT IS FORBIDDEN WITHOUT PRIOR CONSENT.