

UNLESS OTHERWISE SPECIFIED DIMENSIONS WITHOUT TOLERANCES ARE REFERENCE ONLY

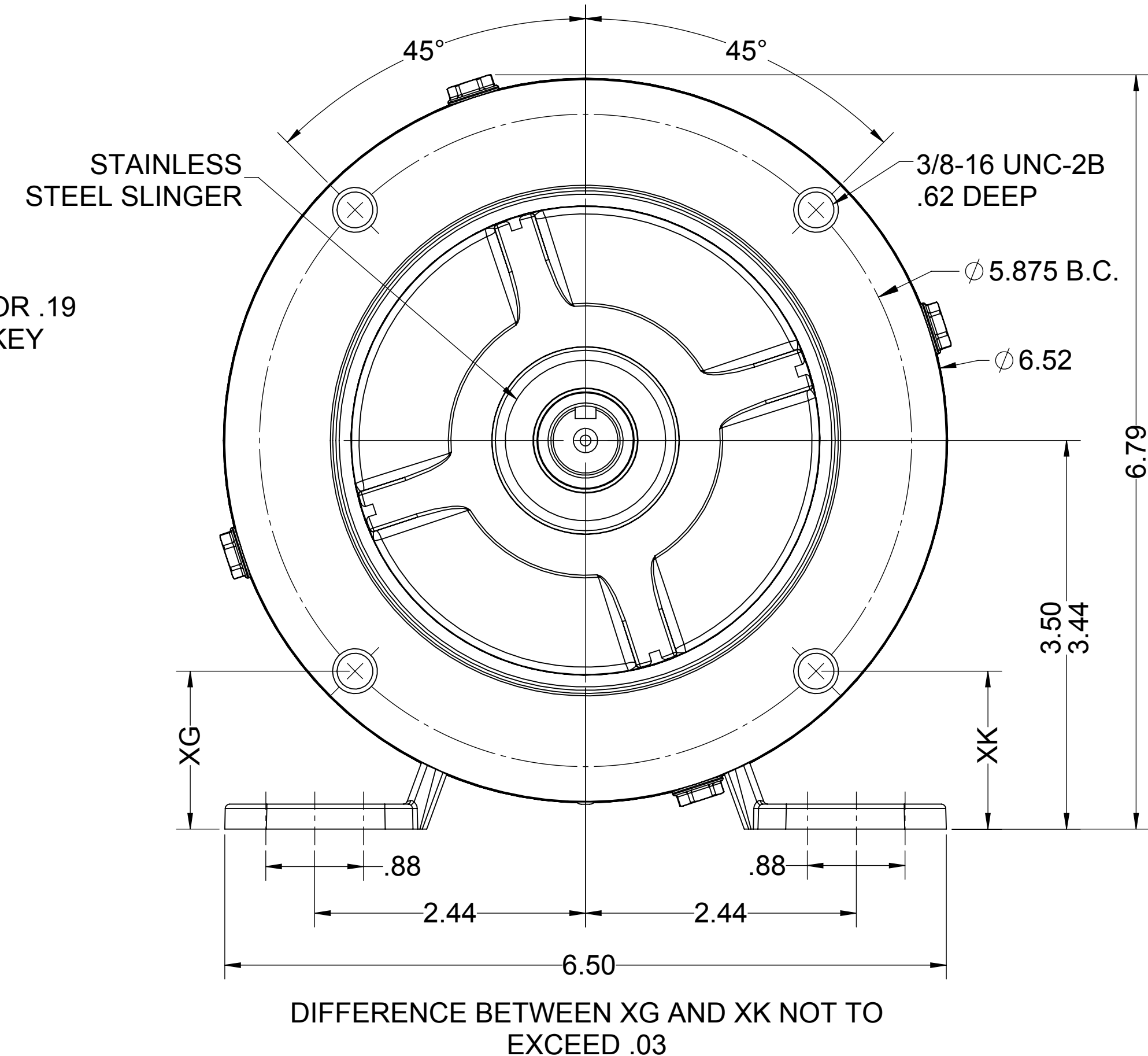
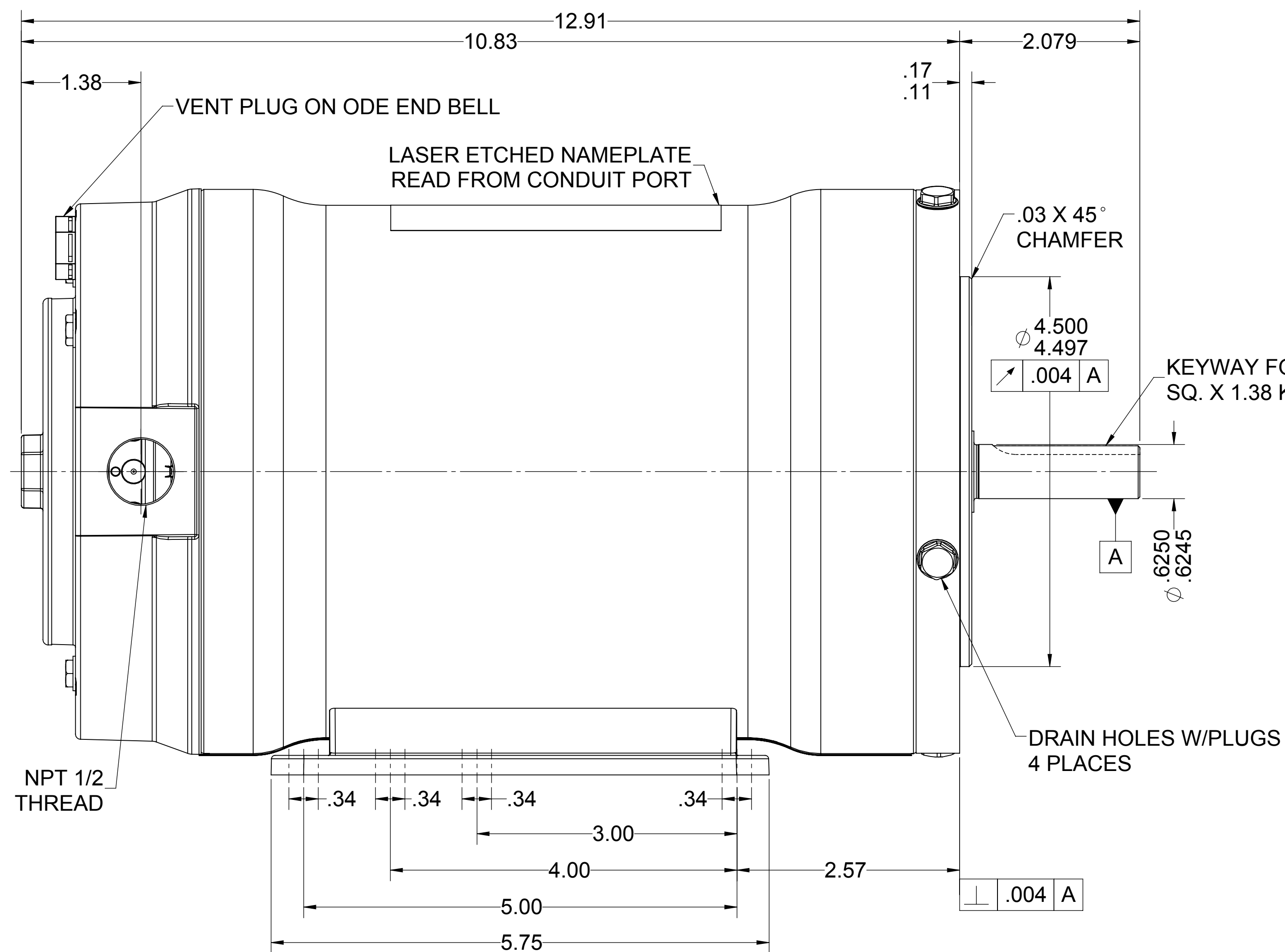
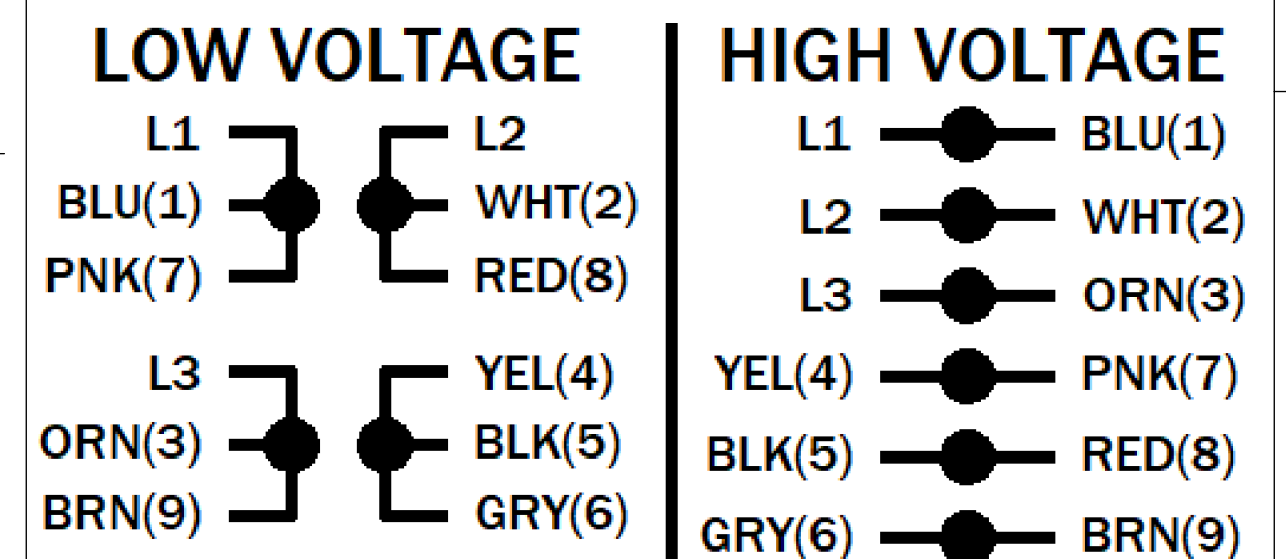
NOTES

1. WIRENUTS INCLUDED UNDER CONDUIT COVER.

LEADS

TERMINAL BLOCK PLUS GROUND

EXTERNAL CONNECTIONS



MOTOR DATA

TYPE		POLY - INVERTER DUTY		SHAFT MATERIAL		304 S.S. EXTENSION		CUSTOMER NAME		WEG HYDRODUTY	
HZ		60		HZ		50		FRAME		56C	
VOLTS		230/460		VOLTS		190/380		ENCLOSURE		TENV	
HP[kW]		0.75 []		SF		1.15		ENVIRONMENT		WASHDOWN	
RPM		3450		RPM		2875		I.P.CODE		IP69K	
F.L. AMPS		2.2/1.1		F.L. AMPS		2.4/1.2		NEMA NOM. EFF.		-%	
S.F. AMPS		2.4/1.2		S.F. AMPS		-		BEARINGS		BALL	
TIME RATE		CONT		MAX AMB		40		END CAP		N/R	
KVA CODE		N		INS CLASS		F		ASSEMBLY VOLTAGE		HIGH	
								THERMAL PROTECTION TYPE		NONE	
								MOUNTING POSITION		ALL POSITIONS	
								WINDING AND TEST SPEC		-	
								CUSTOMER PART NUMBER		.7536NT3EHD56C	
								VIEWING LEAD END		MOTOR ROTATION	
								ASSEMBLY ROTATION		CW	
								ASSEMBLY VOLTAGE		HIGH	
								THERMAL PROTECTION TYPE		NONE	
								MOUNTING POSITION		ALL POSITIONS	
								WINDING AND TEST SPEC		-	
								ASSEMBLY VOLTAGE		HIGH	
								THERMAL PROTECTION TYPE		NONE	
								MOUNTING POSITION		ALL POSITIONS	
								WINDING AND TEST SPEC		-	
								CUSTOMER PART NUMBER		.7536NT3EHD56C	
								VIEWING LEAD END		MOTOR ROTATION	
								ASSEMBLY ROTATION		CW	
								ASSEMBLY VOLTAGE		HIGH	
								THERMAL PROTECTION TYPE		NONE	
								MOUNTING POSITION		ALL POSITIONS	
								WINDING AND TEST SPEC		-	
								CUSTOMER PART NUMBER		.7536NT3EHD56C	
								VIEWING LEAD END		MOTOR ROTATION	
								ASSEMBLY ROTATION		CW	
								ASSEMBLY VOLTAGE		HIGH	
								THERMAL PROTECTION TYPE		NONE	
								MOUNTING POSITION		ALL POSITIONS	
								WINDING AND TEST SPEC		-	
								CUSTOMER PART NUMBER		.7536NT3EHD56C	
								VIEWING LEAD END		MOTOR ROTATION	
								ASSEMBLY ROTATION		CW	
								ASSEMBLY VOLTAGE		HIGH	
								THERMAL PROTECTION TYPE		NONE	
								MOUNTING POSITION		ALL POSITIONS	
								WINDING AND TEST SPEC		-	
								CUSTOMER PART NUMBER		.7536NT3EHD56C	
								VIEWING LEAD END		MOTOR ROTATION	
								ASSEMBLY ROTATION		CW	
								ASSEMBLY VOLTAGE		HIGH	
								THERMAL PROTECTION TYPE		NONE	
								MOUNTING POSITION		ALL POSITIONS	
								WINDING AND TEST SPEC		-	
								CUSTOMER PART NUMBER		.7536NT3EHD56C	
								VIEWING LEAD END		MOTOR ROTATION	
								ASSEMBLY ROTATION		CW	
								ASSEMBLY VOLTAGE		HIGH	
								THERMAL PROTECTION TYPE		NONE	
								MOUNTING POSITION		ALL POSITIONS	
								WINDING AND TEST SPEC		-	
								CUSTOMER PART NUMBER		.7536NT3EHD56C	
								VIEWING LEAD END		MOTOR ROTATION	
								ASSEMBLY ROTATION		CW	
								ASSEMBLY VOLTAGE		HIGH	
								THERMAL PROTECTION TYPE		NONE	
								MOUNTING POSITION		ALL POSITIONS	
								WINDING AND TEST SPEC		-	
								CUSTOMER PART NUMBER		.7536NT3EHD56C	
								VIEWING LEAD END		MOTOR ROTATION	
								ASSEMBLY ROTATION		CW	
								ASSEMBLY VOLTAGE		HIGH	
								THERMAL PROTECTION TYPE		NONE	
								MOUNTING POSITION		ALL POSITIONS	
								WINDING AND TEST SPEC		-	
								CUSTOMER PART NUMBER		.7536NT3EHD56C	
								VIEWING LEAD END		MOTOR ROTATION	
								ASSEMBLY ROTATION		CW	
								ASSEMBLY VOLTAGE		HIGH	
								THERMAL PROTECTION TYPE		NONE	
								MOUNTING POSITION		ALL POSITIONS	
								WINDING AND TEST SPEC		-	
								CUSTOMER PART NUMBER		.7536NT3EHD56C	
								VIEWING LEAD END		MOTOR ROTATION	
								ASSEMBLY ROTATION		CW	
								ASSEMBLY VOLTAGE		HIGH	
								THERMAL PROTECTION TYPE		NONE	
								MOUNTING POSITION		ALL POSITIONS	
								WINDING AND TEST SPEC		-	
								CUSTOMER PART NUMBER		.7536NT3EHD56C	
								VIEWING LEAD END		MOTOR ROTATION	
								ASSEMBLY ROTATION		CW	
								ASSEMBLY VOLTAGE		HIGH	
								THERMAL PROTECTION TYPE		NONE	
								MOUNTING POSITION		ALL POSITIONS	
								WINDING AND TEST SPEC		-	
								CUSTOMER PART NUMBER		.7536NT3EHD56C	
								VIEWING LEAD END		MOTOR ROTATION	
								ASSEMBLY ROTATION		CW	
								ASSEMBLY VOLTAGE		HIGH	
								THERMAL PROTECTION TYPE		NONE	
								MOUNTING POSITION		ALL POSITIONS	
								WINDING AND TEST SPEC		-	
								CUSTOMER PART NUMBER		.7536NT3EHD56C	
								VIEWING LEAD END		MOTOR ROTATION	
								ASSEMBLY ROTATION		CW	
								ASSEMBLY VOLTAGE		HIGH	
								THERMAL PROTECTION TYPE		NONE	
								MOUNTING POSITION		ALL POSITIONS	
								WINDING AND TEST SPEC		-	
								CUSTOMER PART NUMBER		.7536NT3EHD56C	
								VIEWING LEAD END		MOTOR ROTATION	
								ASSEMBLY ROTATION		CW	
								ASSEMBLY VOLTAGE		HIGH	
								THERMAL PROTECTION TYPE		NONE	
								MOUNTING POSITION		ALL POSITIONS	
								WINDING AND TEST SPEC		-	
								CUSTOMER PART NUMBER		.7536NT3EHD56C	
								VIEWING LEAD END		MOTOR ROTATION	
								ASSEMBLY ROTATION		CW	
								ASSEMBLY VOLTAGE		HIGH	
								THERMAL PROTECTION TYPE		NONE	
								MOUNTING POSITION		ALL POSITIONS	
								WINDING AND TEST SPEC		-	
								CUSTOMER PART NUMBER		.7536NT3EHD56C	
								VIEWING LEAD END		MOTOR ROTATION	
								ASSEMBLY ROTATION		CW	
								ASSEMBLY VOLTAGE		HIGH	
								THERMAL PROTECTION TYPE		NONE	
								MOUNTING POSITION		ALL POSITIONS	
								WINDING AND TEST SPEC		-	
								CUSTOMER PART NUMBER		.7536NT3EHD56C	
								VIEWING LEAD END		MOTOR ROTATION	
								ASSEMBLY ROTATION		CW	
								ASSEMBLY VOLTAGE		HIGH	
								THERMAL PROTECTION TYPE		NONE	
								MOUNTING POSITION		ALL POSITIONS	
								WINDING AND TEST SPEC		-	
								CUSTOMER PART NUMBER		.7536NT3EHD56C	
								VIEWING LEAD END		MOTOR ROTATION	
								ASSEMBLY ROTATION		CW	
								ASSEMBLY VOLTAGE		HIGH	
								THERMAL PROTECTION TYPE		NONE	
								MOUNTING POSITION		ALL POSITIONS	
								WINDING AND TEST SPEC		-	
								CUSTOMER PART NUMBER		.7536NT3EHD56C	
								VIEWING LEAD END		MOTOR ROTATION	
								ASSEMBLY ROTATION		CW	
								ASSEMBLY VOLTAGE		HIGH	
								THERMAL PROTECTION TYPE		NONE	
								MOUNTING POSITION		ALL POSITIONS	
								WINDING AND TEST SPEC		-	
								CUSTOMER PART NUMBER		.7536NT3EHD56C	
								VIEWING LEAD END		MOTOR ROTATION	
								ASSEMBLY ROTATION		CW	
								ASSEMBLY VOLTAGE		HIGH	
								THERMAL PROTECTION TYPE		NONE	
								MOUNTING POSITION		ALL POSITIONS	
								WINDING AND TEST SPEC		-	
								CUSTOMER PART NUMBER		.7536NT3EHD56C	
								VIEWING LEAD END		MOTOR ROTATION	
								ASSEMBLY ROTATION		CW	
								ASSEMBLY VOLTAGE		HIGH	
								THERMAL PROTECTION TYPE		NONE	
								MOUNTING POSITION		ALL POSITIONS	
								WINDING AND TEST SPEC		-	
								CUSTOMER PART NUMBER		.7536NT3EHD56C	
								VIEWING LEAD END		MOTOR ROTATION	
								ASSEMBLY ROTATION		CW	
								ASSEMBLY VOLTAGE		HIGH	
								THERMAL PROTECTION TYPE		NONE	
								MOUNTING POSITION		ALL POSITIONS</	