

UNLESS OTHERWISE SPECIFIED DIMENSIONS WITHOUT TOLERANCES ARE REFERENCE ONLY

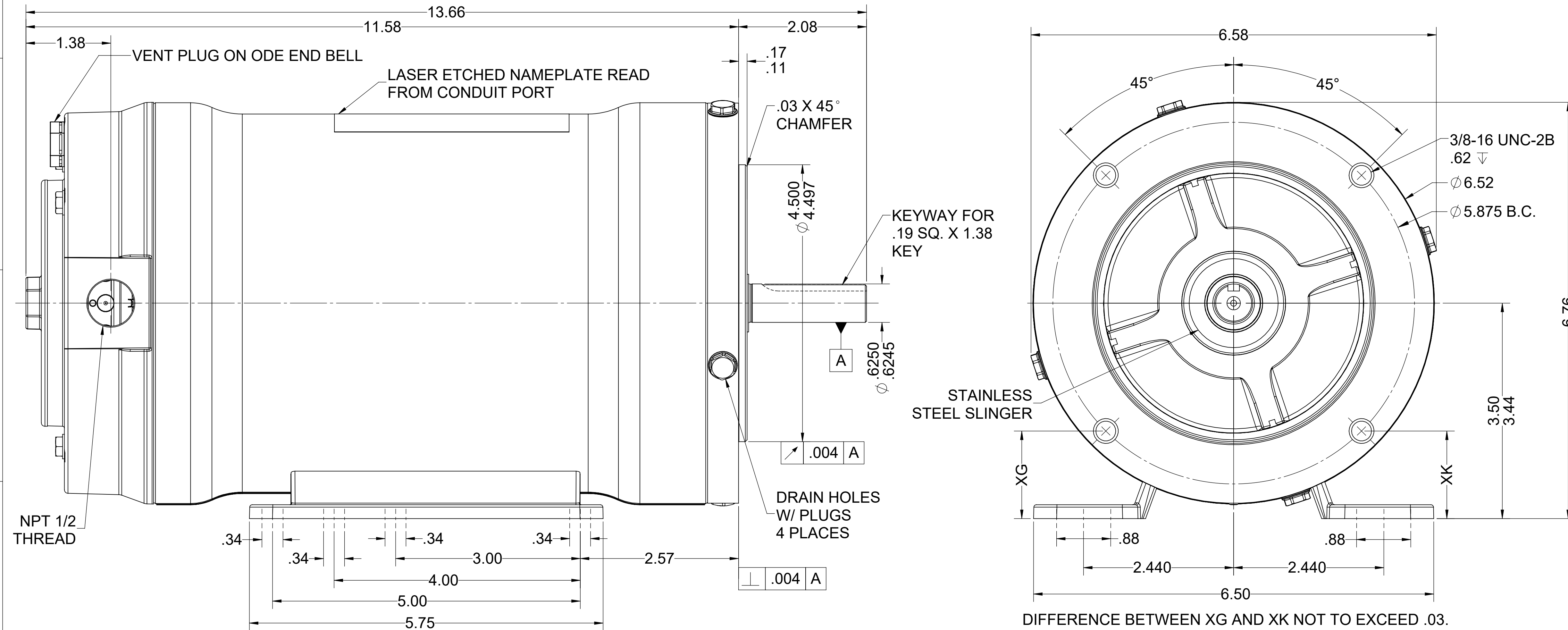
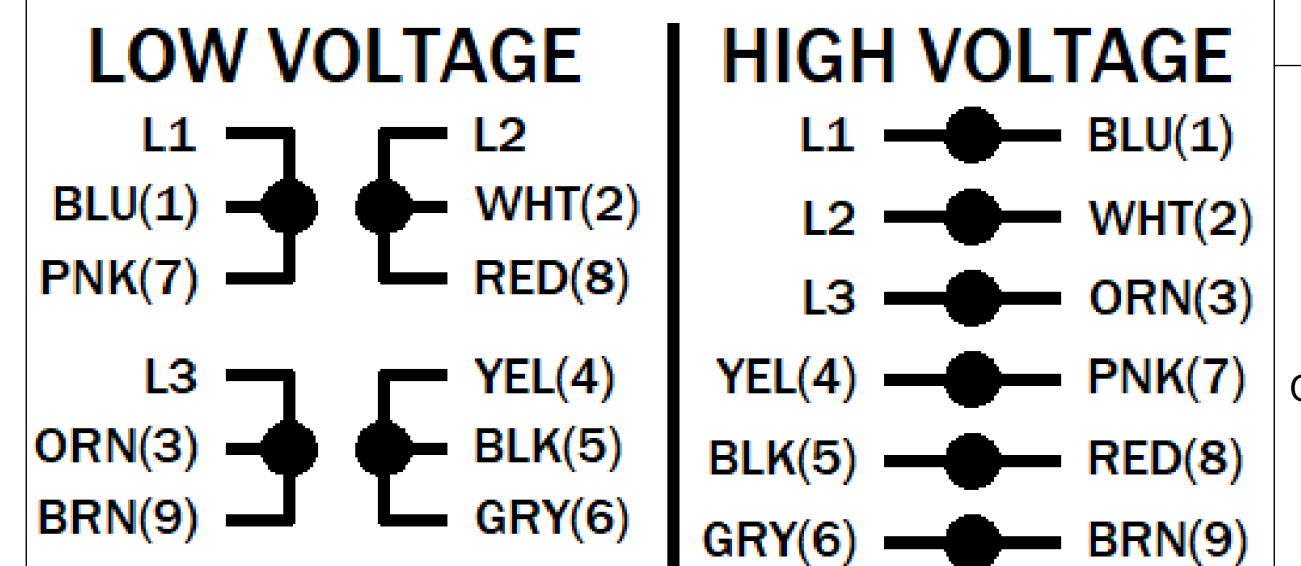
NOTES

- 1. WIRENUTS INCLUDED UNDER CONDUIT COVER.

LEADS

TERMINAL BLOCK PLUS GROUND

EXTERNAL CONNECTIONS



MOTOR DATA

TYPE		POLY - INVERTER DUTY		SHAFT MATERIAL		303 S.S. EXTENSION		CUSTOMER NAME		WEG HYDRODUTY	
HZ		60		FRAME		56C		PHASE		3	
VOLTS		230/460		ENCLOSURE		TENV		PAINT		NONE	
HP[kW]		1.0 [ ]		ENVIRONMENT		WASHDOWN		BEARINGS		BALL	
RPM		3510		I.P.CODE		IP69K		END CAP		N/R	
F.L. AMPS		2.9/1.45		NEMA NOM. EFF.		77.0%		IE2		74.1%	
S.F. AMPS		3.3/1.65		S.F. AMPS		-		ASSEMBLY VOLTAGE		HIGH	
TIME RATE		CONT		MAX AMB		40		THERMAL PROTECTION TYPE		NONE	
KVA CODE		N		INS CLASS		F		MOUNTING POSITION		ALL POSITIONS	
								WINDING AND TEST SPEC		-	
								DRAWN: DMILOSTAN		03/26/25	

ECN	REV	CHANGE DESCRIPTION	DATE/INITIALS
-	01	UPDATED CONNECTION DIAGRAM. ADDED NEMA PREMIUM, IE EFFICIENCIES AND KW VALUE.	01/06/2026 ZM
SIZE		DWG NO.	
D		10012729668	
SCALE: 1:1	DO NOT SCALE DRAWING	SHEET 1 OF 1	

10012729668

