

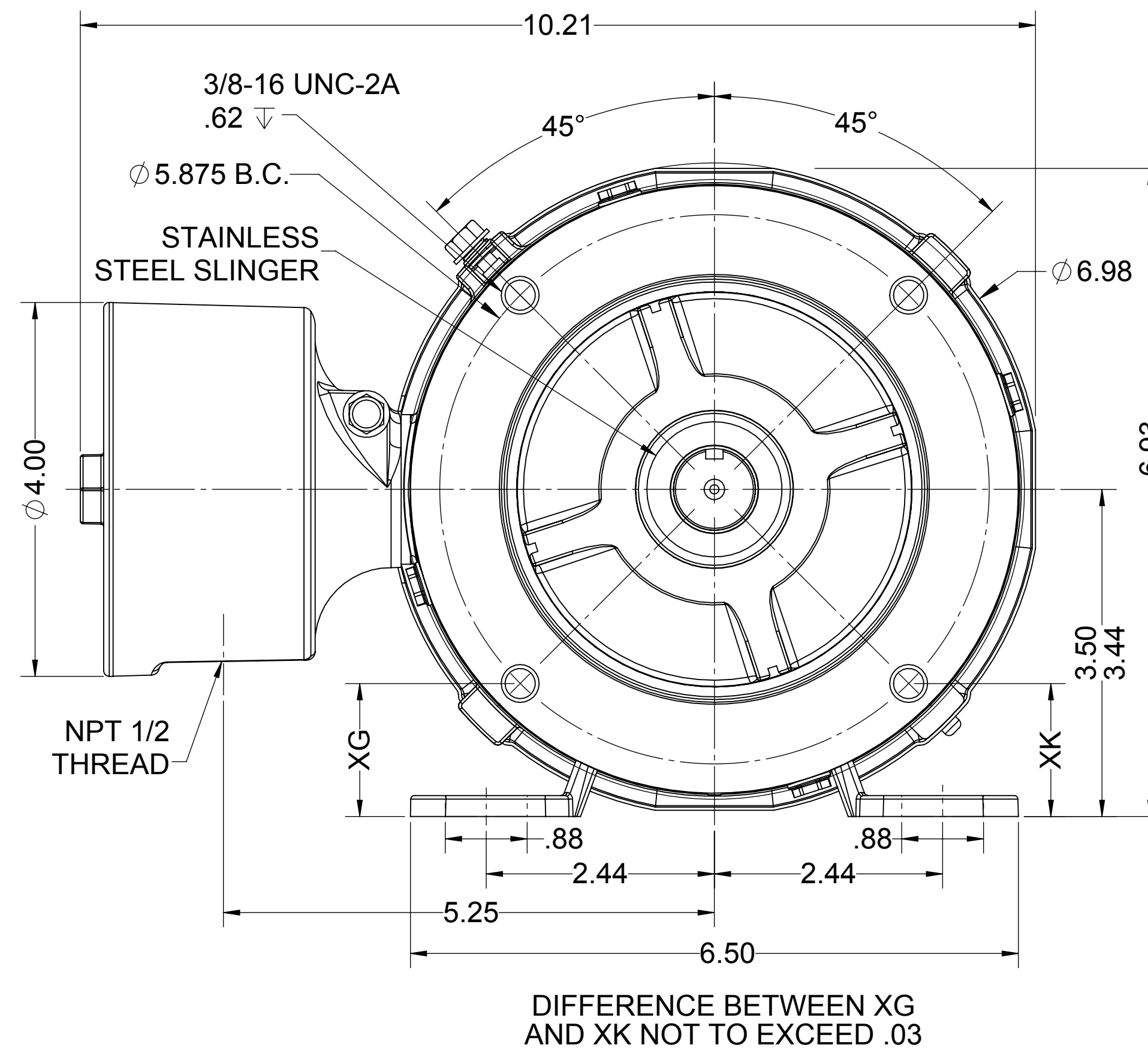
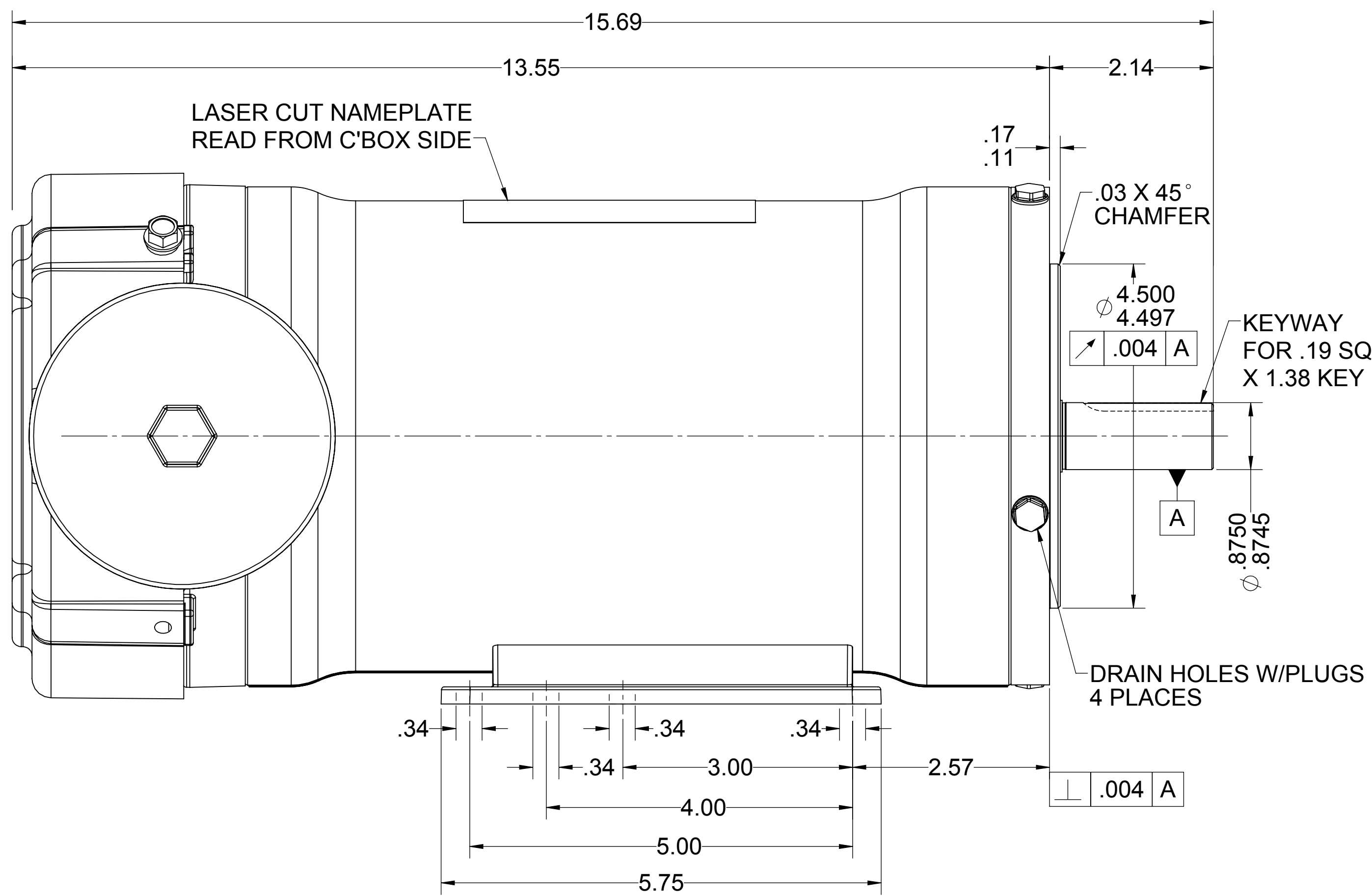
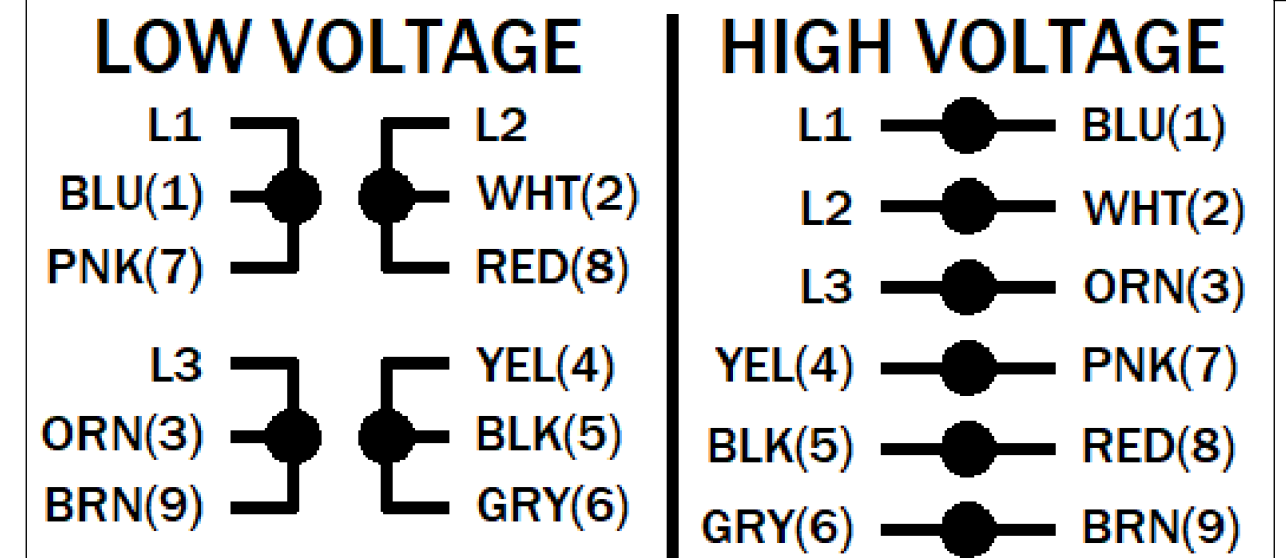
UNLESS OTHERWISE SPECIFIED DIMENSIONS WITHOUT TOLERANCES ARE REFERENCE ONLY

NOTES

LEADS

TERMINAL BLOCK PLUS GROUND

EXTERNAL CONNECTIONS



MOTOR DATA

TYPE		POLY - INVERTER DUTY		SHAFT MATERIAL		304 S.S. EXTENSION		CUSTOMER NAME		WEG HYDRODUTY	
HZ	60	HZ	50	FRAME	143/5TC	PHASE	3	CUSTOMER PART NUMBER		00236ET3EHD145TC	
VOLTS	230/460	VOLTS	190/380	ENCLOSURE	TEFC	PAINT	NONE	VIEWING LEAD END	MOTOR ROTATION	REV	
HP[kW]	2.0 [-]	SF	1.15	ENVIRONMENT	WASHDOWN	BEARINGS	BALL	ASSEMBLY ROTATION	CW		
RPM	3490	RPM	2900	I.P.CODE	IP69K	END CAP	N/R	ASSEMBLY VOLTAGE	HIGH		
F.L. AMPS	5.18/2.59	F.L. AMPS	4.71/2.35	NEMA NOM. EFF.	85.5%	IE3	82.7%	THERMAL PROTECTION TYPE	NONE		
S.F. AMPS	5.8/2.9	S.F. AMPS	-					MOUNTING POSITION	ALL POSITIONS		
								WINDING AND TEST SPEC	-		
TIME RATE	CONT	MAX AMB	40								
KVA CODE	M	INS CLASS	F					DRAWN: DMILOSTAN 02/25/25			

ECN	REV	CHANGE DESCRIPTION	DATE/INITIALS
-	03	UPDATE TO IE EFFICIENCY. ADDED 50HZ KW VALUE.	08/20/2025 ZM
SIZE		DWG NO.	
D		10012729678	
SCALE: 13:16	DO NOT SCALE DRAWING	SHEET 1 OF 1	

10012729678

