

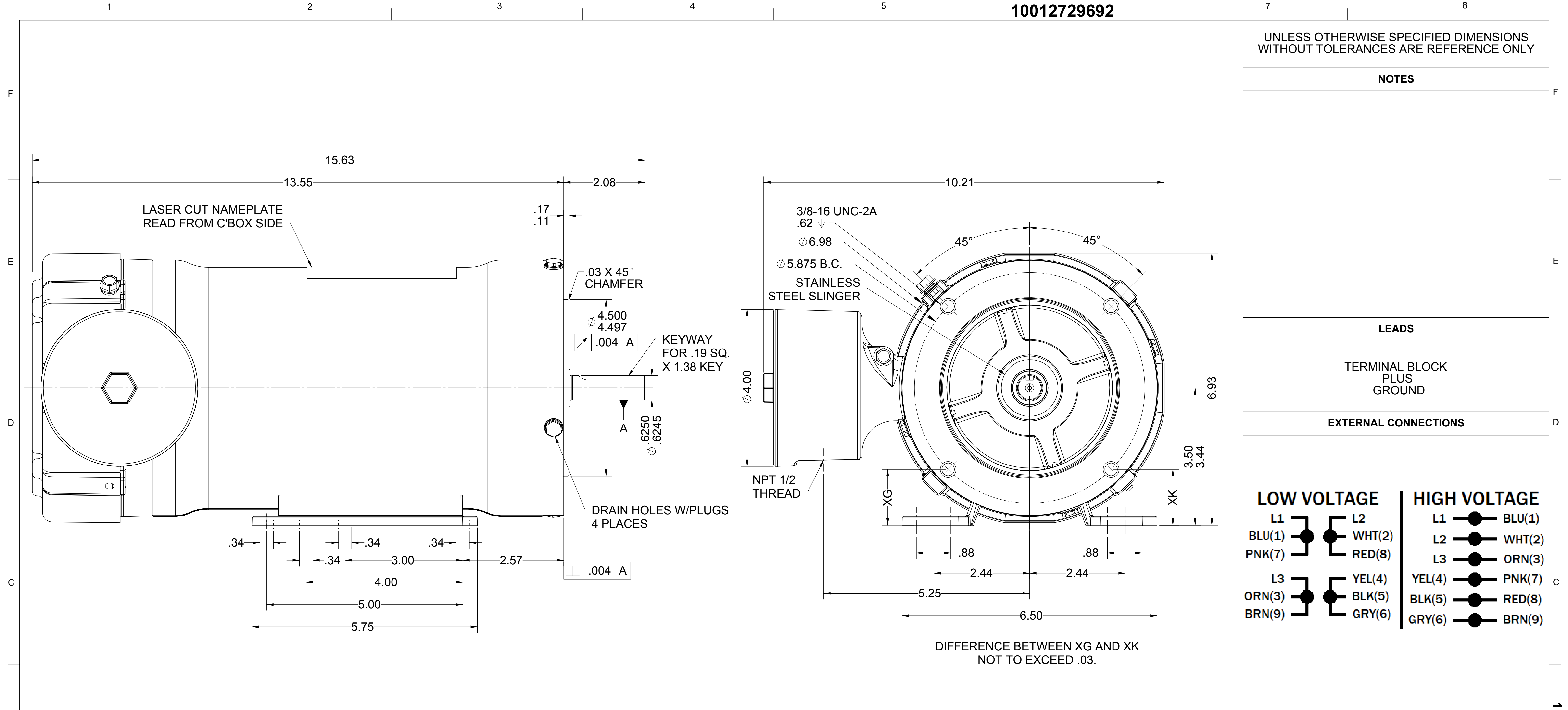
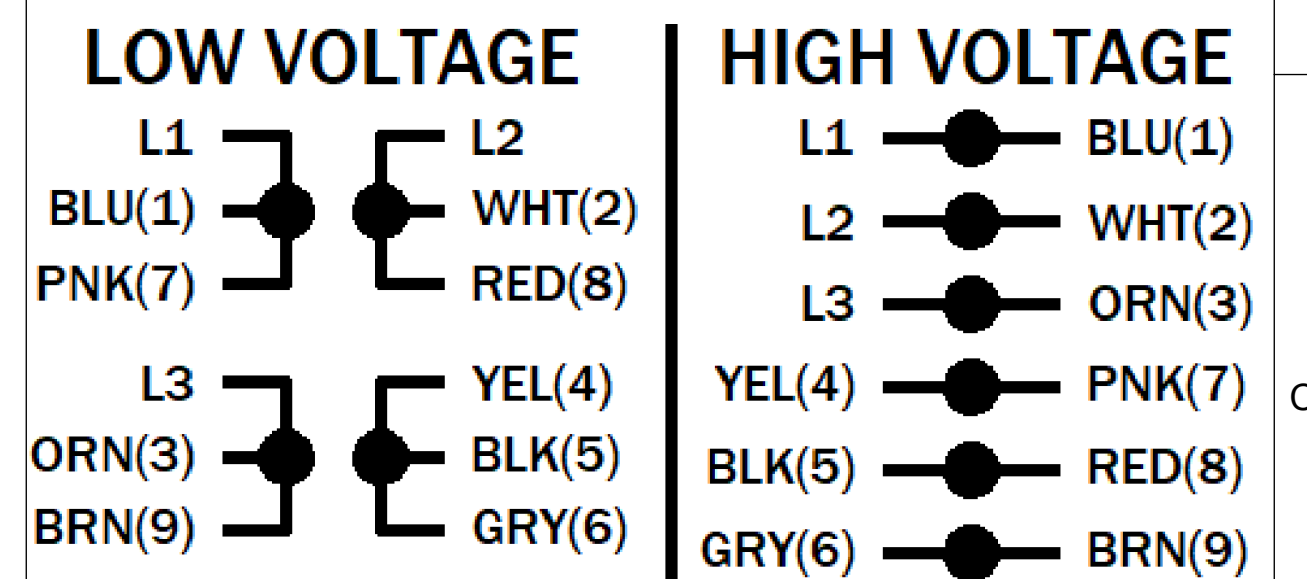
UNLESS OTHERWISE SPECIFIED DIMENSIONS WITHOUT TOLERANCES ARE REFERENCE ONLY

NOTES

LEADS

TERMINAL BLOCK PLUS GROUND

EXTERNAL CONNECTIONS



DIFFERENCE BETWEEN XG AND XK NOT TO EXCEED .03.

MOTOR DATA

TYPE POLY - INVERTER DUTY		SHAFT MATERIAL 304 S.S. EXTENSION		CUSTOMER NAME WEG HYDRODUTY	
HZ 60	HZ 50	FRAME 56C	PHASE 3	CUSTOMER PART NUMBER 00236ET3EHD56C	
VOLTS 230/460	VOLTS 190/380	ENCLOSURE TEFC	PAINT NONE	VIEWING LEAD END	MOTOR ROTATION REV
HP[kW] 2.0 []	SF 1.15	ENVIRONMENT WASHDOWN	BEARINGS BALL	ASSEMBLY ROTATION CW	
RPM 3490	RPM 2900	I.P.CODE IP69K	END CAP N/R	ASSEMBLY VOLTAGE HIGH	
F.L. AMPS 5.18/2.59	F.L. AMPS 4.71/2.35	NEMA NOM. EFF. 85.5%	IE3 82.7%	THERMAL PROTECTION TYPE NONE	
S.F. AMPS 5.8/2.9	S.F. AMPS -			MOUNTING POSITION HORIZONTAL	
TIME RATE CONT	MAX AMB 40			WINDING AND TEST SPEC -	
KVA CODE M	INS CLASS F			DRAWN: DMILOSTAN 02/04/25	

ECN	REV	CHANGE DESCRIPTION	DATE/INITIALS
-	04	UPDATE CONNECTION DIAGRAM. ADDED KW VALUE. UPDATE IE3 EFFICIENCY.	09/19/2025 ZM

THE INFORMATION DISCLOSED HEREIN INCLUDES PROPRIETARY RIGHTS OF WEG. ANY REPRODUCTION OR TRANSFERRAL OF INFORMATION FROM THIS DOCUMENT IS FORBIDDEN WITHOUT PRIOR CONSENT.

SIZE **D** DWG NO. **10012729692**

SCALE: 5:6 DO NOT SCALE DRAWING SHEET 1 OF 2

10012729692