

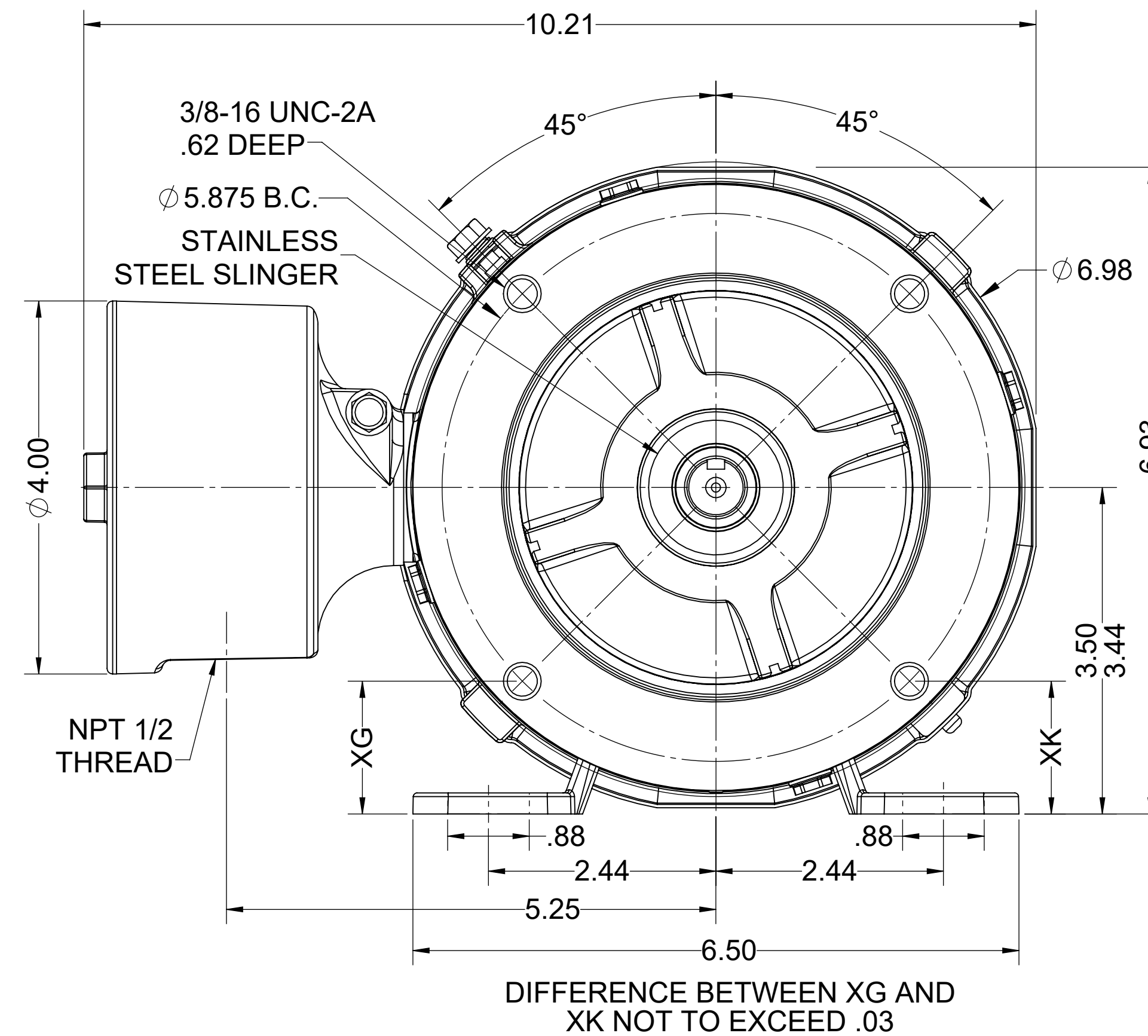
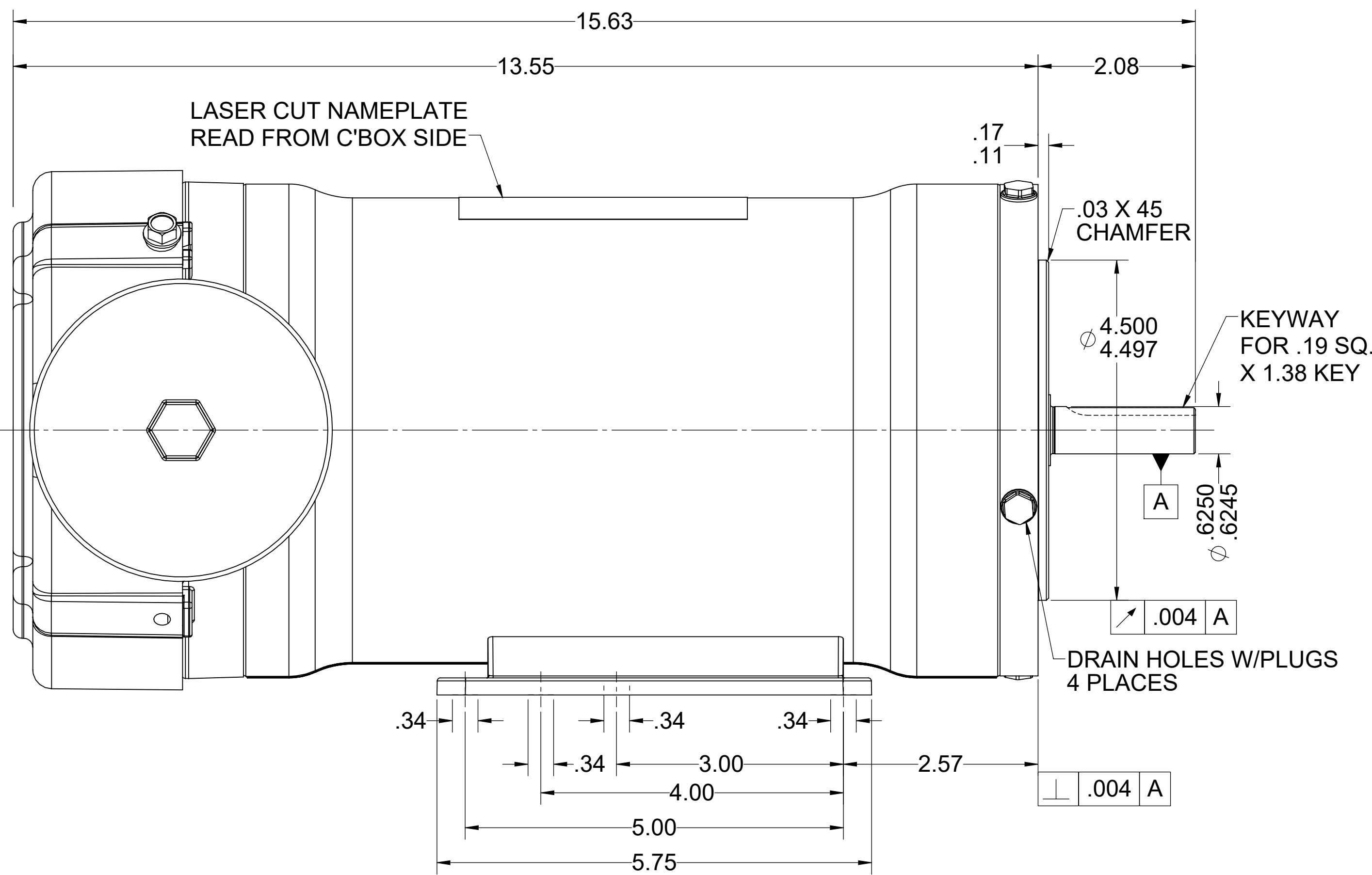
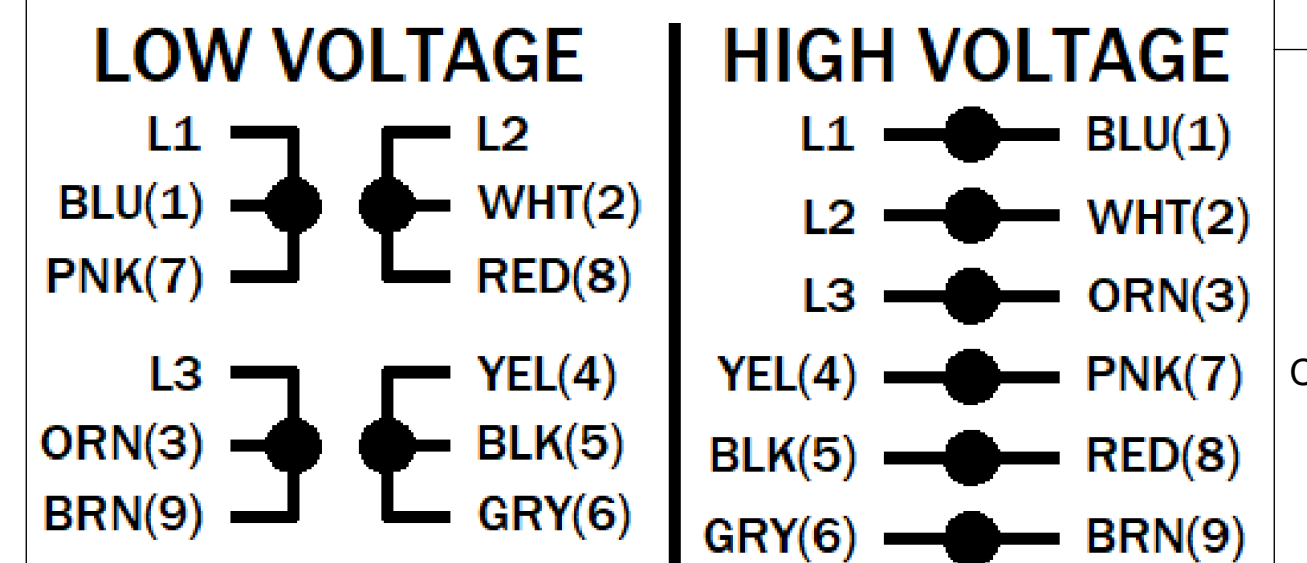
UNLESS OTHERWISE SPECIFIED DIMENSIONS WITHOUT TOLERANCES ARE REFERENCE ONLY

NOTES

LEADS

TERMINAL BLOCK PLUS GROUND

EXTERNAL CONNECTIONS



MOTOR DATA

TYPE		POLY - INVERTER DUTY		SHAFT MATERIAL		304 S.S. EXTENSION		CUSTOMER NAME		WEG HYDRODUTY	
HZ	60	HZ	50	FRAME	56C	PHASE	3	CUSTOMER PART NUMBER		00336ET3EHD56C	
VOLTS	230/460	VOLTS	190/380	ENCLOSURE	TEFC	PAINT	NONE	VIEWING LEAD END	MOTOR ROTATION	REV	
HP[kW]	3.0 []	SF	1.15	ENVIRONMENT	WASHDOWN	BEARINGS	BALL	ASSEMBLY ROTATION	CW		
RPM	3430	RPM	2875	I.P.CODE	IP69K	END CAP	N/R	ASSEMBLY VOLTAGE	HIGH		
F.L. AMPS	7.25/3.63	F.L. AMPS	6.14/3.07	NEMA NOM. EFF.	86.5%	IE3	84.2%	THERMAL PROTECTION TYPE	NONE		
S.F. AMPS	9.0/4.5	S.F. AMPS	-					MOUNTING POSITION	ALL POSITIONS		
TIME RATE	CONT	MAX AMB	40					WINDING AND TEST SPEC	-		
KVA CODE	L	INS CLASS	F					DRAWN: DMILOSTAN	12/19/24		

ECN	REV	CHANGE DESCRIPTION	DATE/INITIALS
	02	UPDATED CONNECTION DIAGRAM, ASSEMBLY ROTATION WAS REV, NEMA EFFICIENCY WAS 85.5. ADDED CATALOG NUMBER.	01/06/2026 ZM
SIZE		DWG NO.	
D		10012729703	
SCALE: 13:16	DO NOT SCALE DRAWING	SHEET 1 OF 1	

10012729703

