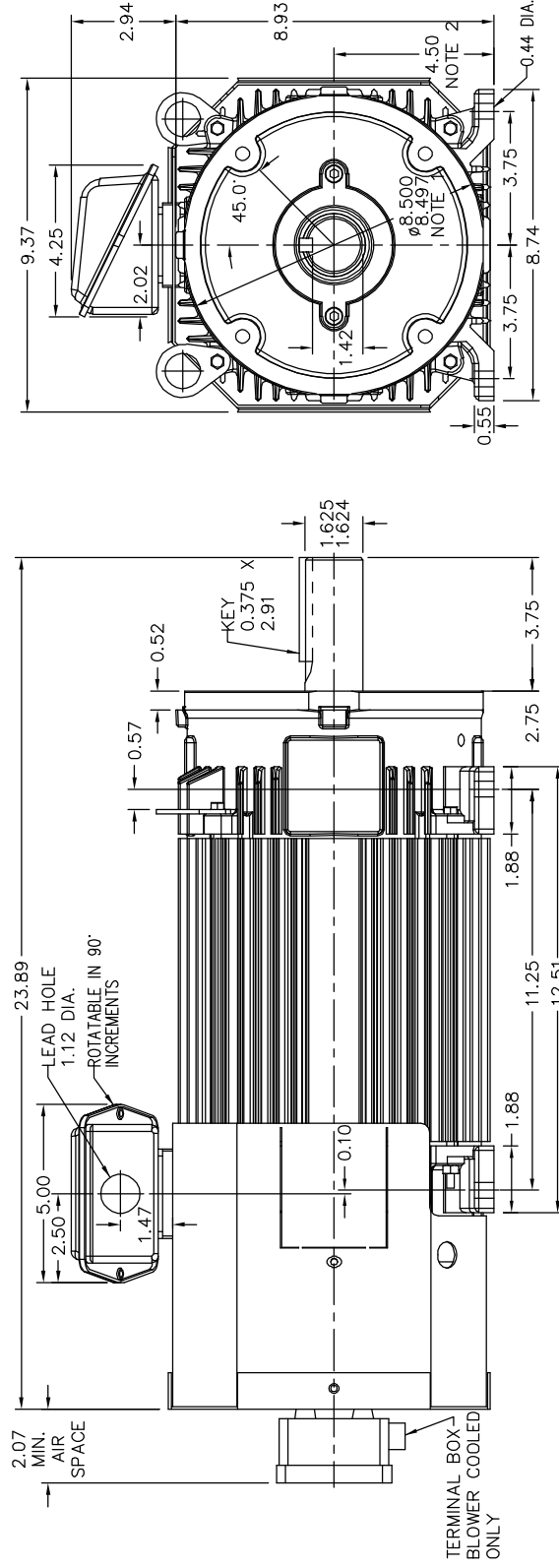


RPM-AC FINNED FRAME VARIABLE SPEED ALTERNATING CURRENT MOTOR  
FL1844CZ

ENCLOSURE: TOTALLY ENCLOSED  
MOUNTING: FOOT / NEMA 250TC C-FACE  
DRIVE METHOD: COUPLED OR BELTED

COOLING: BLOWER COOLED or  
FAN COOLED  
ACCESSORIES: PROVISIONS FOR  
TACHOMETER MOUNTING  
ONLY WHEN SPECIFIED



- NOTE 1: C-FACE & TACHOMETER MOUNTING  
1/2-13 TAP, 1.00 DEEP, ON A 7.25 DIA. BOLT CIRCLE  
FACE RUNOUT AND ECCENTRICITY 0.004 MAX. T.I.R.
- NOTE 2: SHAFT HEIGHT WILL NOT BE EXCEEDED  
SHIMS UP TO 0.03 INCHES IN THICKNESS ARE USUALLY  
REQUIRED FOR COUPLED OR GEARED MACHINES
- TERMINAL BOX MAY BE LOCATED F1 OR F2 IF SPECIFIED  
40 AMP STEEL TERMINAL BOX SHOWN  
REFER TO 616779-50 FOR SPECIFIED TERMINAL BOX DIMENSIONS  
REFER TO 616779-55 FOR SPECIFIED TACHOMETER DIMENSIONS

MOTOR WEIGHT: 180 LBS. (MAY VARY 15%)  
DIMENSIONS ARE IN INCHES SCALE: 1.00

617232-023

CUSTOMER IS RESPONSIBLE FOR DETERMINING THAT BALDOR'S PRODUCT WILL PERFORM SUITABLY IN THE INTENDED APPLICATION.

REV. DESC: CHANGE FRAME FROM 210TC TO 250TC ON T/B	TDR: 000000703486
REV. LTR: A	VERSION: 01
FILE: \R665\00003\468	BY: R65WT
MTL: -	

**BALDOR**

DIM SHT RPM AC TEBC / FC FL1844CZ FT/250TC MTG PROV FOR TACH

Sht 1 of 1