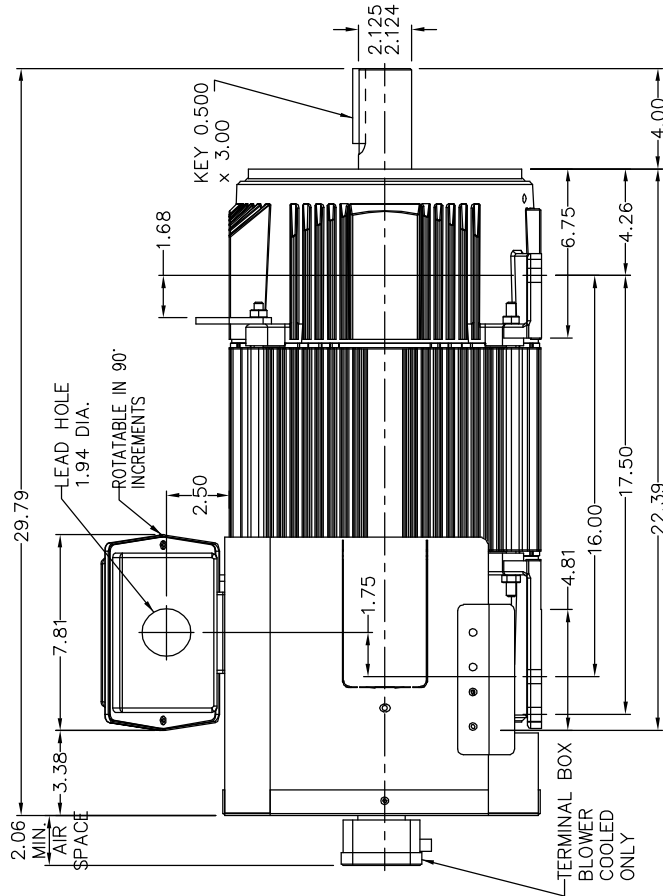


RPM-AC FINNED FRAME VARIABLE SPEED ALTERNATING CURRENT MOTOR
FL2570Z

ENCLOSURE: TOTALLY ENCLOSED
MOUNTING: FOOT
DRIVE METHOD: COUPLED OR BELTED

COOLING: BLOWER COOLED or
FAN COOLED

ACCESSORIES: PROVISIONS FOR
TACHOMETER MOUNTING
ONLY WHEN SPECIFIED



NOTE 1: C-FACE & TACHOMETER MOUNTING
1/2-13 TAP, 1.00 DEEP, ON A 7.25 DIA. BOLT CIRCLE
FACE RUNOUT AND ECCENTRICITY 0.004 MAX. T.I.R.

NOTE 2: SHAFT HEIGHT WILL NOT BE EXCEEDED
SHIMS UP TO 0.03 INCHES IN THICKNESS ARE USUALLY
REQUIRED FOR COUPLED OR GEARED MACHINES

TERMINAL BOX MAY BE LOCATED F1 OR F2 IF SPECIFIED
121 AMP STEEL TERMINAL BOX SHOWN
REFER TO 616779-50 FOR SPECIFIED TERMINAL BOX DIMENSIONS
REFER TO 616779-55 FOR SPECIFIED TACHOMETER DIMENSIONS

MOTOR WEIGHT: 475 LBS. (MAY VARY 15%)
DIMENSIONS ARE IN INCHES SCALE: 1:00

617573-001

CUSTOMER IS RESPONSIBLE FOR DETERMINING THAT BALDOR'S PRODUCT WILL PERFORM SUITABLY IN THE INTENDED APPLICATION.

REV. DESC: RE-RELEASED TO D/S INDEX	TDR: 000000500799
REV. LTR: A	VERSION: 01
FILE: \R66\00003\138	REVISED: 08:28:35 05/22/2009
BY: CONDIM	
MTL: -	

BALDOR • DODGE • RELIANCE

DIM SHT FL2570Z RPM AC TE BLWR OR FAN COOLED

SH 1 of 1

617573-001