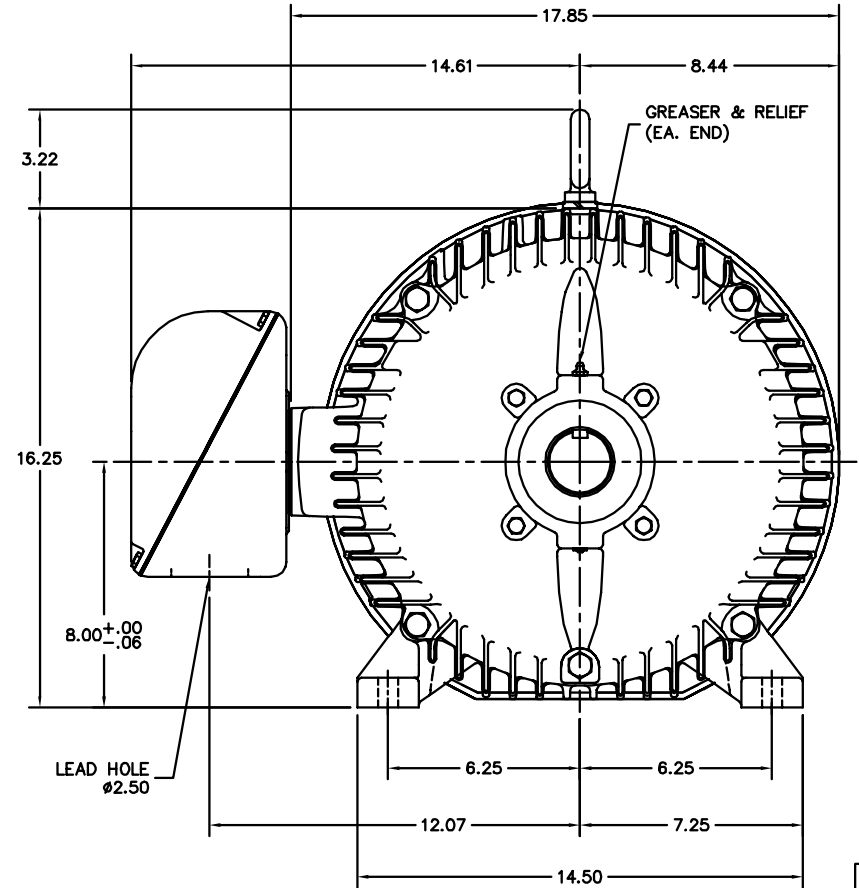
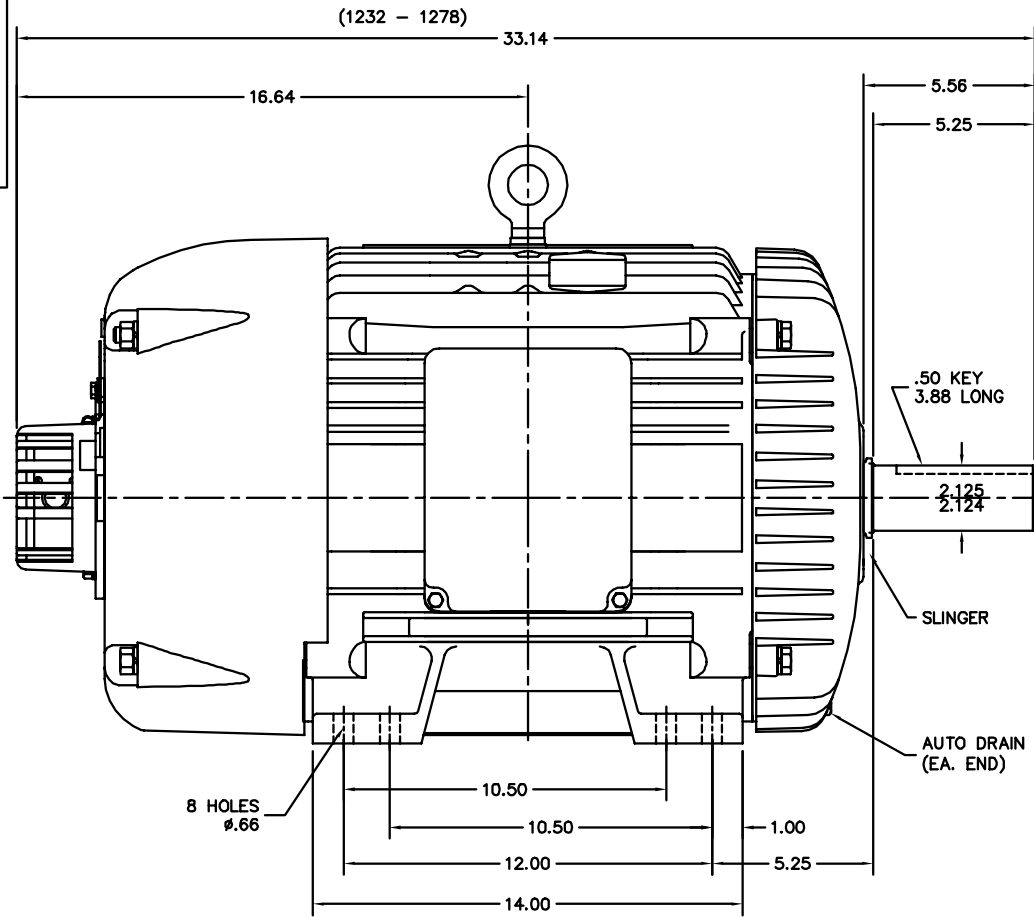


12LYG535



CUSTOMER IS RESPONSIBLE FOR DETERMINING THAT BALDOR'S PRODUCT WILL PERFORM SUITABLY IN THE INTENDED APPLICATION.

REV. DESC: NEW	VERSION: 00	TDR: 00000754288
REV. LTR: -	REVISED: 03:55:35 07/16/2012	BY: ENMIC80
FILE: \AAA\00193\302		
MTL: -		

BALDOR

HORZ TEFC 324-6T VECTOR W/HS35 ENC & CVR

SH 1 of 1

12LYG535