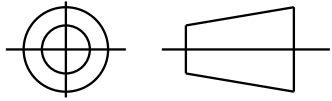


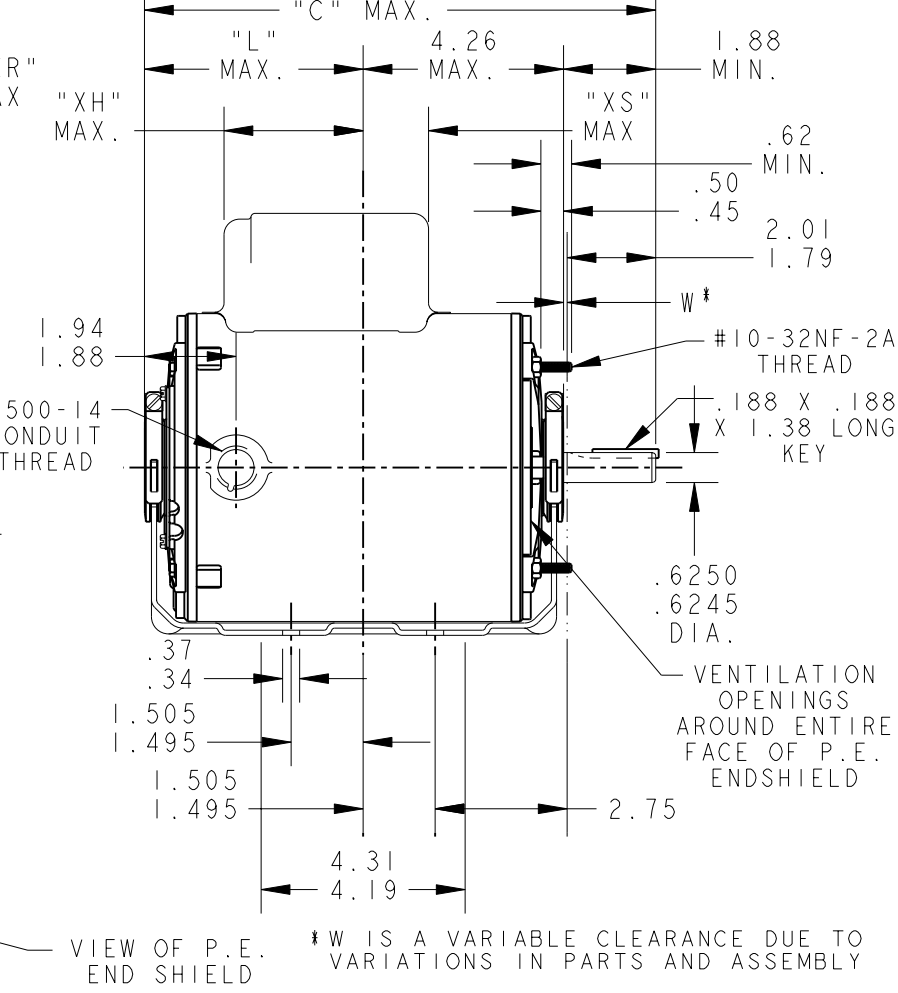
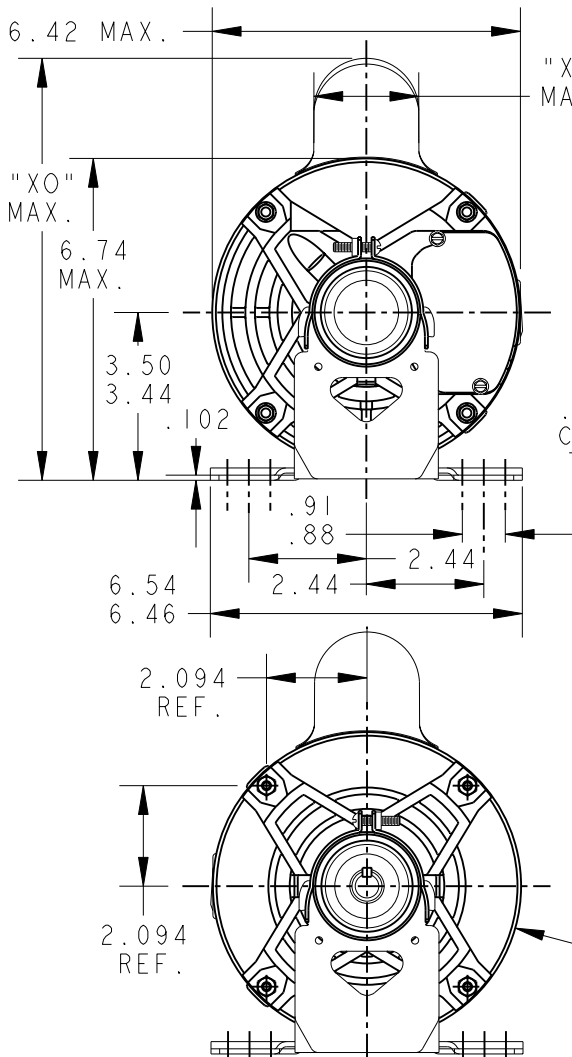
SHEET 7
REV 7
52A107737
DRAWING NO. A

THIRD ANGLE PROJECTION



REVISIONS

REV.	DESCRIPTION	DATE	APPROVED
7	UPDATED PT# 10 PER ISAAC 06-0996	05/17/06	PRAVEEN.K




VIEW OF P.E. END SHIELD *W IS A VARIABLE CLEARANCE DUE TO VARIATIONS IN PARTS AND ASSEMBLY

ALL DIMENSIONS ARE IN INCHES

10	KC	49	56	10.38	4.22	2.72	8.84	2.22	2.72	6.15
9	KC	48	56	12.66	6.50	3.40	8.22	1.60	2.29	8.43
8	KC	46	56	10.78	4.62	2.44	8.84	2.22	2.10	6.55
7	KC	49	56	10.38	4.22	2.63	8.22	1.60	1.91	6.15
6	KC	49	56	11.38	5.22	3.63	8.22	1.60	2.12	7.15
5	KC	46	56	10.78	4.62	3.03	8.22	1.60	1.51	6.55
4	KC	42	56	9.95	3.79	2.20	8.22	1.60	2.34	5.72
3	KC	49	56	11.38	5.22	3.63	8.94	2.40	2.12	7.15
2	KC	42	56	9.95	3.79	2.20	8.84	2.22	2.34	5.72
1	KC	46	56	10.78	4.62	3.03	8.84	2.22	1.51	6.55
P	TYPE	GE SIZE	NEMA FR.	"C"	"L"	"XH"	"XO"	"XR"	"XS"	MIN. SHELL

SIGNATURES		DATE
MODEL	M.D. PAPE	10/10/91
DETAIL	.	.
CHECKED	.	.
ENGRG	.	.
MFG	.	.
FOR ADDITIONAL INFO REFER TO:	QUALITY	.
APPLIED PRACTICES	ISSUED	M.D. PAPE 05/17/99
DIMENSIONS ARE IN INCHES ✓	SOLID MODEL: 52A107737	



REGAL-BELOIT CORPORATION

TITLE: **OUTLINE**

GENERAL PURPOSE MOTOR DRIP PROOF - BALL BEARING

- RESILIENT BASE EXTENDED CLAMP SCREWS FMF - 40 FRAME REDESIGN (5K42GN0022X)

SIZE: DRAWING A

SCALE: 0.250 REF. No: .

SHEET 1 of 1

52A107737 REV 7