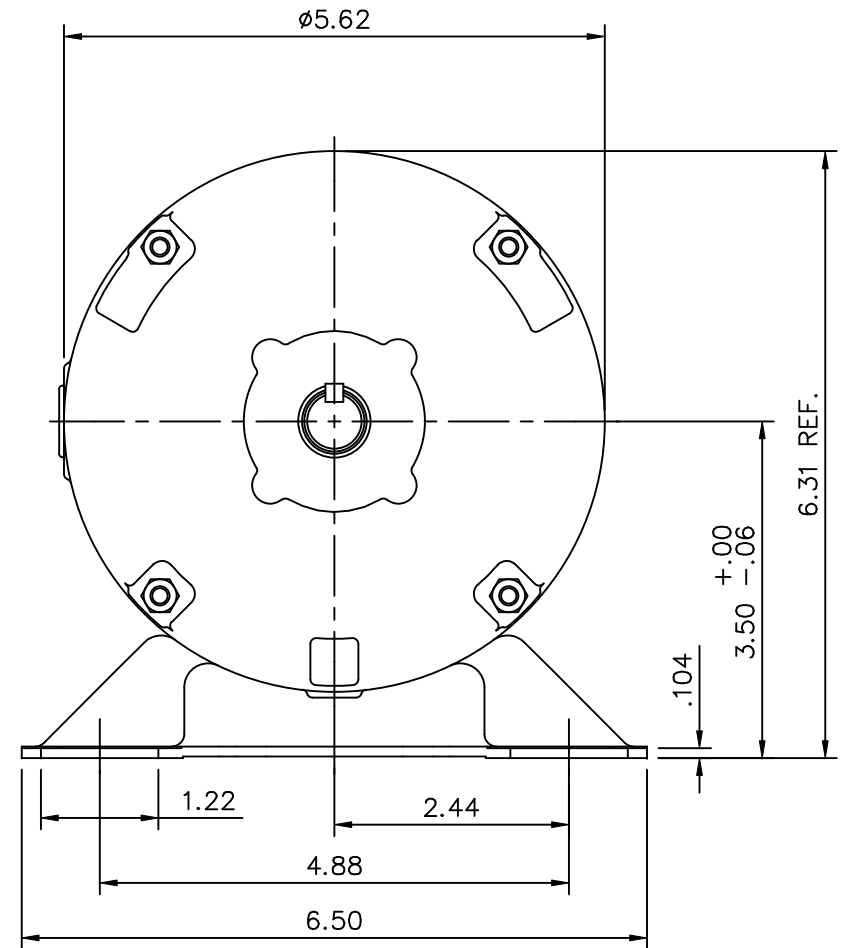


.19 SQ. x 1.38 KEY



DASH NO.	"C"	"AD"
500	8.99	3.68
525	9.24	3.93
550	9.49	4.18
575	9.74	4.43
600	9.99	4.68
625	10.24	4.93
650	10.49	5.18
675	10.74	5.43

1/2-14 NPT
CONDUIT HOLE
(PLUGGED)

NO.	REVISION	BY & DATE	CHK	TOLERANCES UNLESS SPECIFIED	
				DEC.	INCHES
				.X	±.1
				.XX	±.03
				.XXX	±.005
				.XXXX	±.0005
				ANG	±1/2°



ELECTRIC MOTORS
GEARMOTORS
AND DRIVES

TITLE	OUTLINE - S56 FRAME RIGID MOUNT - DRIP PROOF
MAT'L.	3 PHASE
FINISH	

DRAWN	PG 02/17/05
CHK	
APPD	PG 02/17/05
SCALE	1=2
REF	031067
FMF	101448.00
PREV	

THIS DRAWING IN DESIGN AND DETAIL IS OUR PROPERTY AND MUST NOT BE USED EXCEPT IN CONNECTION WITH OUR WORK ALL RIGHTS OF DESIGN AND INVENTION ARE RESERVED THIS IS AN ELECTRONICALLY GENERATED DOCUMENT - DO NOT SCALE THIS PRINT			RFP	CAD FILE	031803	SIZE	DRAWING NO.	REV.
			DIST			A	031803	