

4

3

2

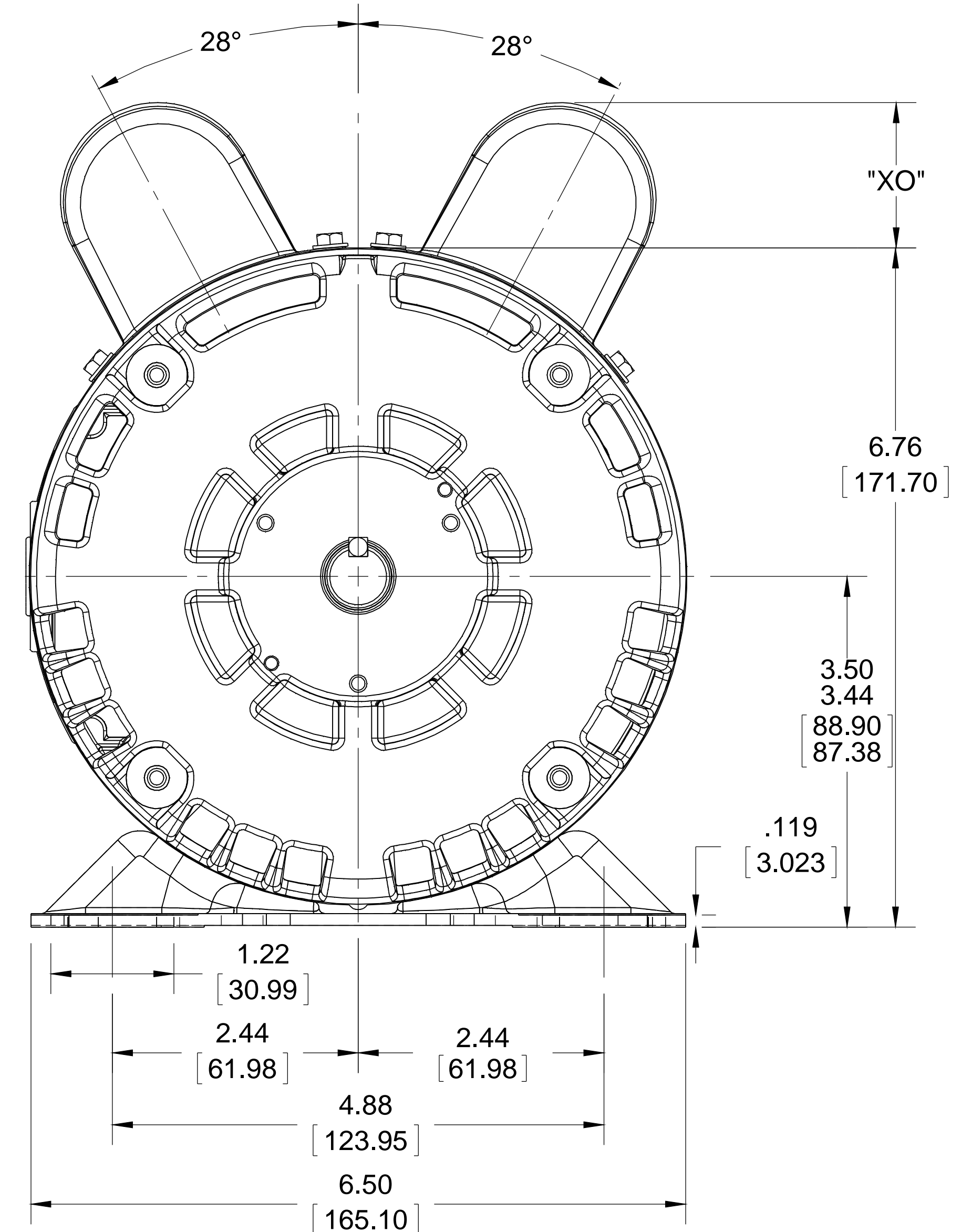
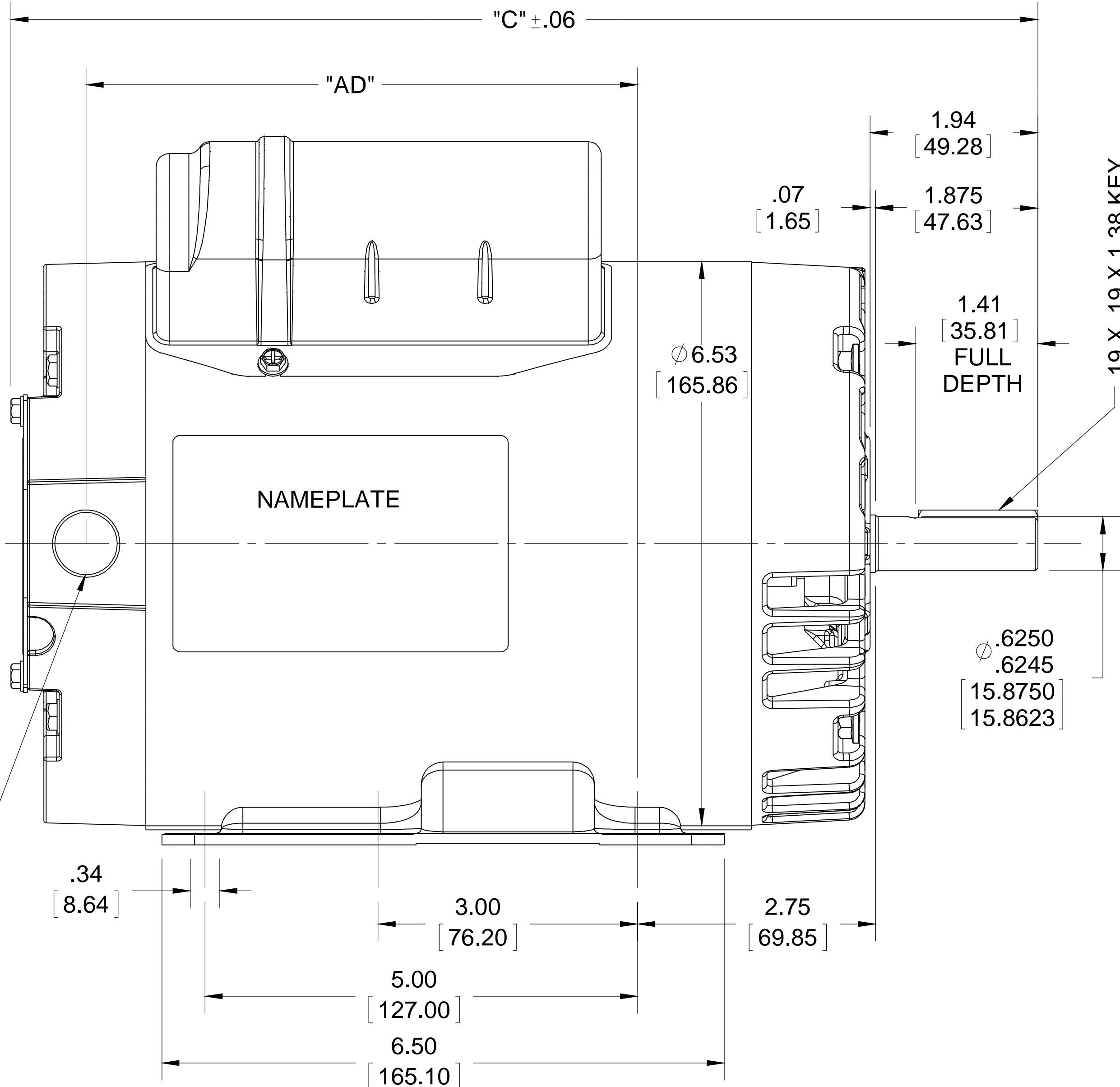
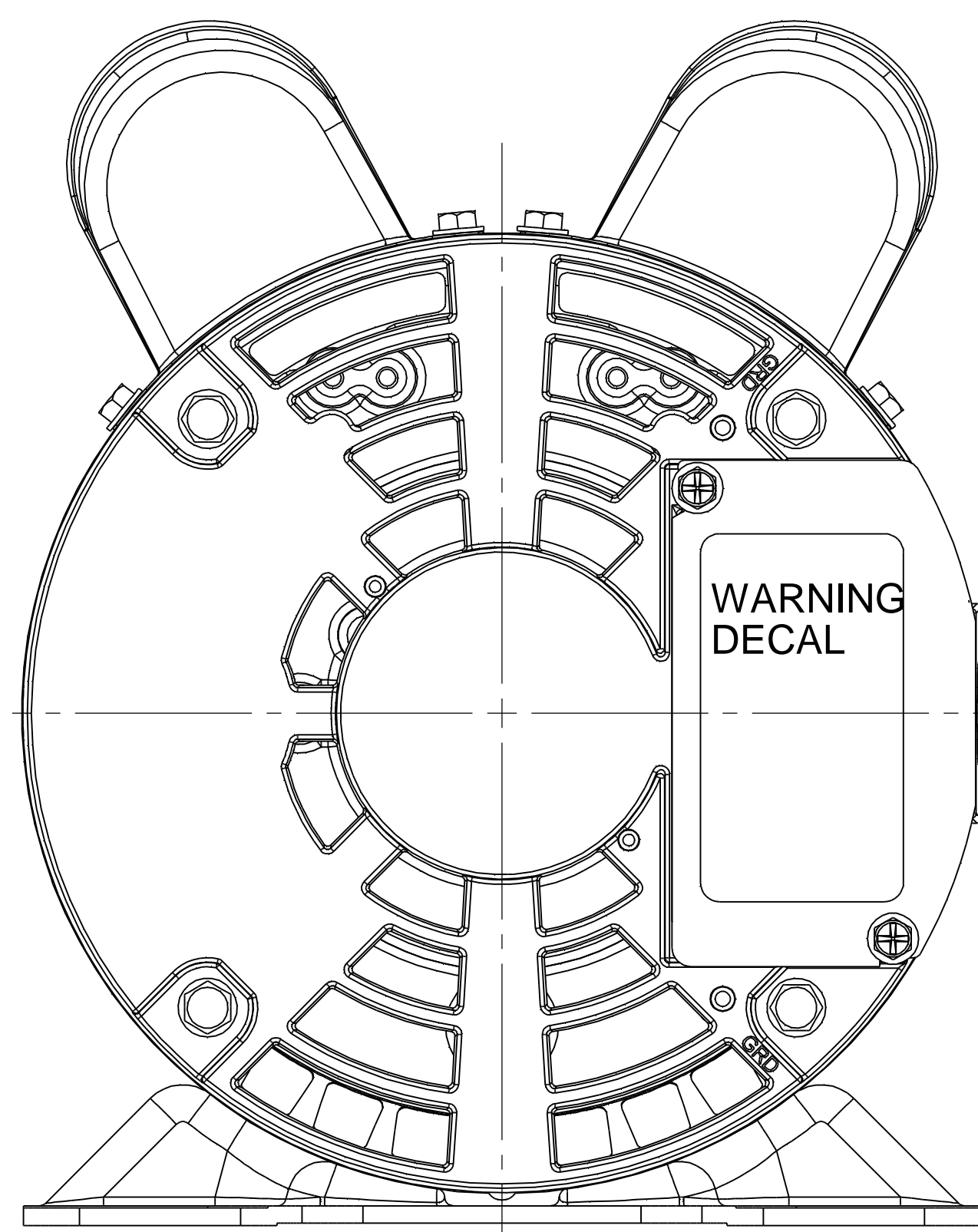
1

B

B

A

A



1/2-14 NPT (PLUGGED)

DASH	"C"	"AD"	CAP. DASH	"XO"
500	9.87	4.38		
550	10.37	4.88		
600	10.87	5.38		
650	11.37	5.88		
700	11.87	6.38	A	1.15
750	12.37	6.88	B	1.60
800	12.87	7.38	C	1.82

4

3

2

1

ORACLE
PART REV.
0

DRAWING REVISION A	REVISION BY	DATE
ECO ECO-0074218	APPROVED BY	DATE
ECO DESCRIPTION NEW DRAWING		
<small>COPYRIGHT REGAL BELOIT AMERICA, INC. ALL RIGHTS RESERVED. PROPRIETARY AND CONFIDENTIAL INFORMATION - THIS DOCUMENT IS THE PROPERTY OF REGAL BELOIT AMERICA, INC. ("OWNER") AND CONTAINS OWNER'S PROPRIETARY INFORMATION. ANY PERSON, CORPORATION OR OTHER FIRM RECEIVING IT IS DEEMED, BY RECEIVING IT, TO AGREE THAT IT, AND/OR ANY PART OF IT, SHALL NOT BE DISCLOSED TO ANY PERSON, CORPORATION OR OTHER ENTITY, DUPLICATED, AND/OR USED, EXCEPT AS EXPRESSLY APPROVED IN WRITING IN ADVANCE BY OWNER. THIS DOCUMENT SHALL BE RETURNED TO OWNER UPON REQUEST. IT MAY BE SUBJECT TO CERTAIN RESTRICTIONS UNDER APPLICABLE EXPORT CONTROL LAWS AND REGULATIONS.</small>		

TOLERANCES UNLESS OTHERWISE SPECIFIED:

DEC.	INCH	mm	ANGLE
.X	±0.1	[±2.5]	±0.5°
.XX	±0.03	[±0.76]	
.XXX	±0.005	[±0.127]	
.XXXX	±0.0005	[±0.0127]	

REMOVE BURRS & BREAK SHARP EDGES: .003/.015 [0.076/.381] X 45°
CORNER FILLETS: R.02 [0.51]
MACHINED SURFACES: 125 INCH 3.2 mm
mm SHOWN IN [BRACKETS]

DRAWN BY PST	DATE 03/24/2015
APPROVED BY JD	DATE 03/24/2015
REFERENCE 607-0200	THIRD ANGLE PROJECTION

REGAL ™ Regal Beloit America, Inc.	
DESCRIPTION OUTLINE DRIP PROOF - RIGID 56Y FRAME	PROCESS/FINISH
MATERIAL	DRAWING NUMBER 607-0207
SIZE B	SHEET 1 OF 1