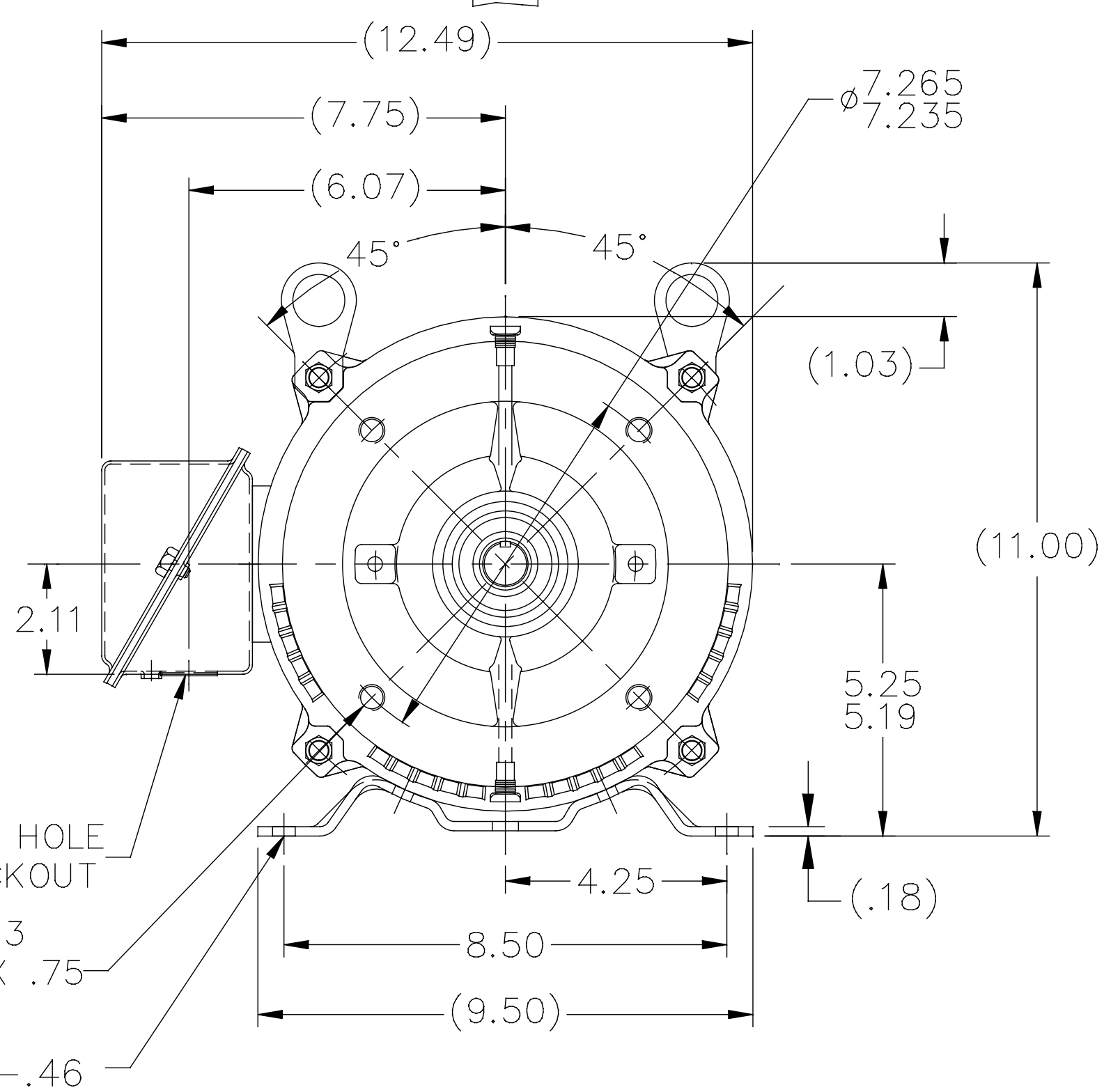
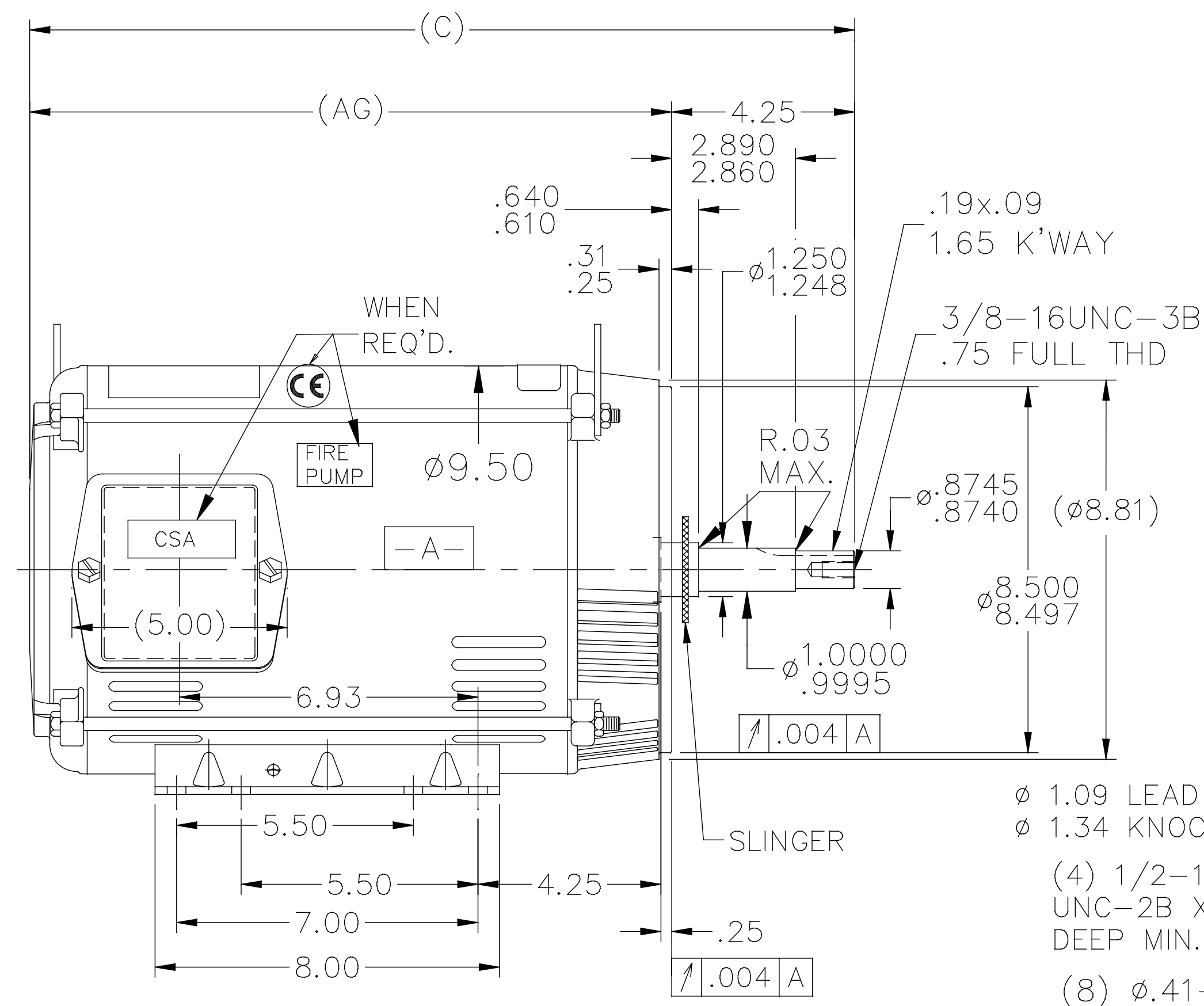
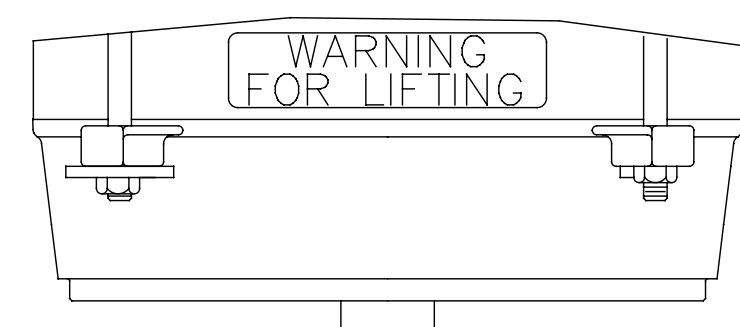


SS86566



DASH	FR.	C	AG	BS	MOUNTING
965	213JM	17.66	13.41	5.43	
1115	213/15JM	19.16	14.91	6.93	
1240	213/15JM	20.41	16.16	8.18	F1 ONLY

- NOTES:
1. NAMEPLATE TO BE READ FROM C'BOX SIDE OF MOTOR.
 2. BOX CAN BE MOUNTED IN 90° STEPS.
 3. BOX CAN BE MOUNTED ON OPPOSITE SIDE BY REMOVING BRACKETS AND TURNING FRAME 180° (EXCEPT AS NOTED)

NO.	REVISION	BY & DATE	CHK	ANG	TOLERANCES UNLESS SPECIFIED	FINISH	REV.
7	TITLE BLOCK LOGO CHANGE PER ECO-0078542	MDV 06/09/2015					DRAWN KL 12-23-1994
6	$\phi .8745/.8740$ WAS $\phi .8750/.8745$ ECN #21254	WGJ 08/03/2011	EMH	DEC.	INCHES		CHK ML 12-23-1994
5	UPDATED DRAWING	TJW 04/27/2007		.X	$\pm .1$		APPD DRN 12-23-1994
4	REDRAWN IN AUTOCAD	TAT 07-06-2004	ML	.XX	$\pm .03$	TITLE OUTLINE	SCALE 1=5
3	UPDATED C' BOX GEOMETRY CN 28425	DRS 04-16-2001		.XXX	$\pm .005$	210JM FR.-BB-TS-DR.PR.-C' FACE	REF
2	REPLACED FRONT BRACKET A86100 WITH A86910	DA 03-11-1996		.XXXX	$\pm .0005$	MAT'L.	FMF
					$\pm 7'30''$	FINISH	PREV
THIS DRAWING IN DESIGN AND DETAIL IS OUR PROPERTY AND MUST NOT BE USED EXCEPT IN CONNECTION WITH OUR WORK ALL RIGHTS OF DESIGN AND INVENTION ARE RESERVED THIS IS AN ELECTRONICALLY GENERATED DOCUMENT - DO NOT SCALE THIS PRINT			RFP	CAD FILE	ss86566	SIZE	DRAWING NO. PAGE OF REV.
			DIST	LB		A	SS86566 7

