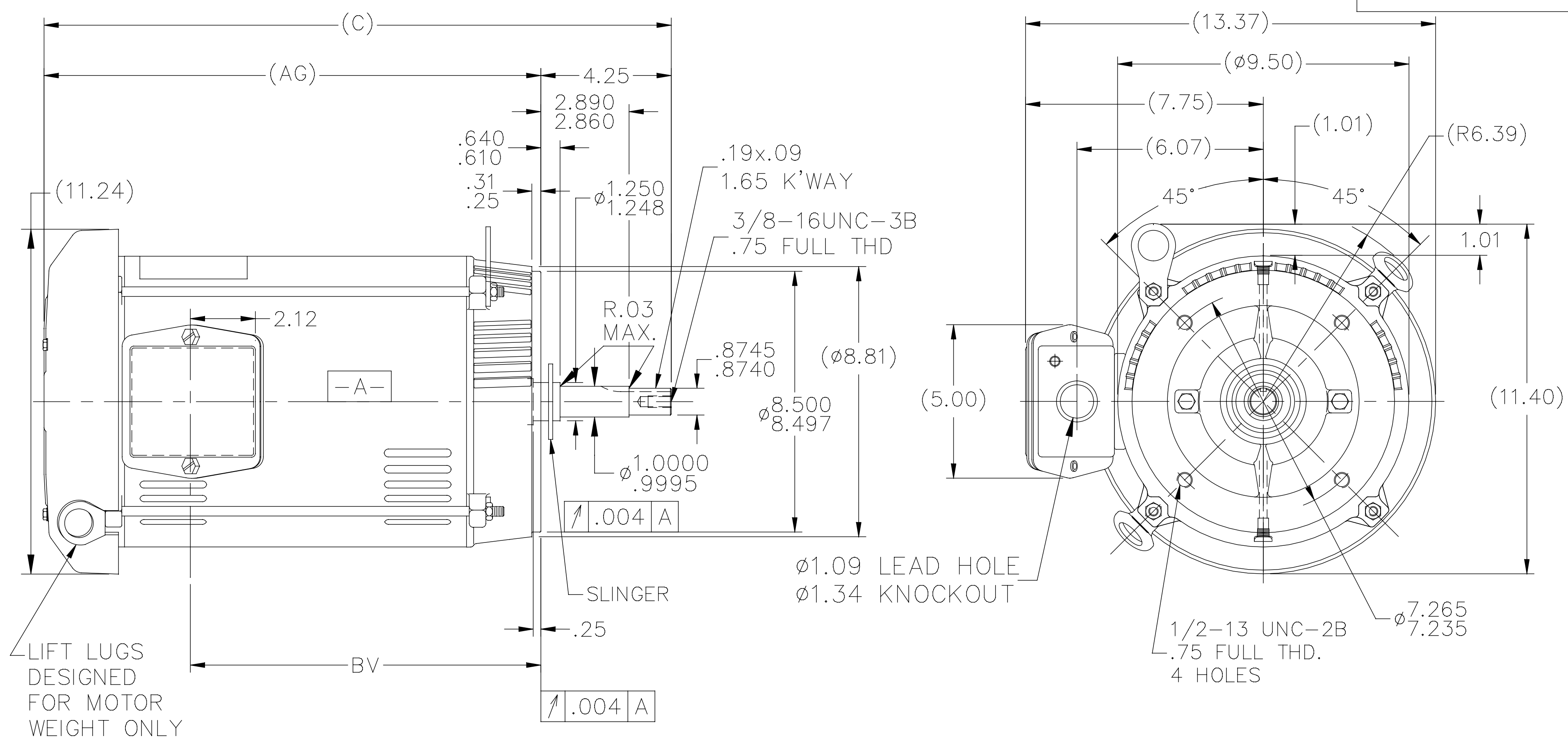


SS86596



DASH	FR.	C	AG	BV
965	213JM	18.94	14.69	9.93
1115	213/15JM	20.44	16.19	11.43
1240	213/15JM	21.69	17.44	12.68

NOTES:

1. NAMEPLATE TO BE READ FROM SHAFT EXT. END OF MOTOR.
2. BOX CAN BE MOUNTED IN 90° STEPS.

NO.	REVISION	BY & DATE	CHK	ANG	±7'30"
6	TITLE BLOCK LOGO CHANGE PER ECO-0078542	MDV 06/09/2015			
5	UPDATED DRAWING	TJW 04/30/2007			
4	REDRAWN IN AUTOCAD	TAT 07-06-2004	ML	.X	±.1
3	UPDATED DRIP COVER GEOMETRY CN 29200-433	DRS 01-25-2002		.XX	±.03
2	UPDATED C' BOX GEOMETRY CN 28425	DRS 01-31-2001		.XXX	±.005
1	NEW DRAWING - DES/DEV	DA 04-02-1996		.XXXX	±.0005

TOLERANCES UNLESS SPECIFIED

DEC. INCHES



Regal Beloit America, Inc.

TITLE OUTLINE - C' FACE  
210JM FR. - DR. PR.

MAT'L.

FINISH

DRAWN DA 03 26 1996

CHK ML 04-01-1996

APPD DN 04-01-1996

SCALE 1=5

REF

FMF

PREV

THIS DRAWING IN DESIGN AND DETAIL IS OUR PROPERTY AND MUST NOT BE USED EXCEPT IN CONNECTION WITH OUR WORK ALL RIGHTS OF DESIGN AND INVENTION ARE RESERVED THIS IS AN ELECTRONICALLY GENERATED DOCUMENT - DO NOT SCALE THIS PRINT

RFP  
DIST LB

CAD FILE ss86596

SIZE	DRAWING NO.	PAGE	OF	REV.
A	SS86596			6