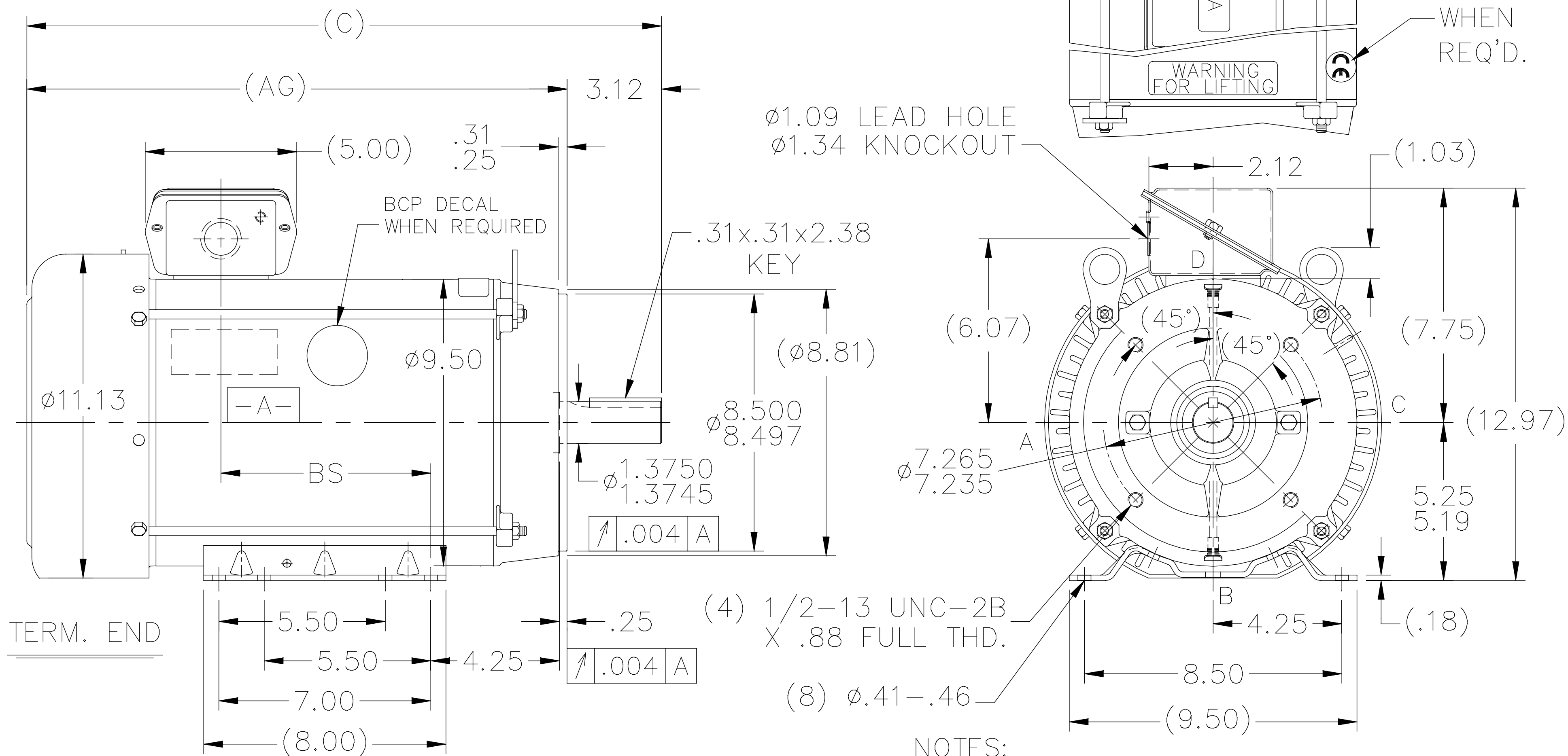


DASH	FR.	C	AG	BS
965	213T	19.47	16.35	5.43
1115	213/15T	20.97	17.85	6.93
1240	213/15T	22.22	19.10	8.18

SS88794



NOTES:
1. NAMEPLATE READ FROM LOCATION AT "C".

				TOLERANCES UNLESS SPECIFIED		REGAL ™ Regal Beloit America, Inc.	DRAWN TAT 08-13-2004			
				DEC.	INCHES		CHK ML 08-13-2004	APPD TB 08-13-2004		
				.X	±.1	TITLE OUTLINE - F3 C'BOX MOUNTING 210T FR. -BB-TS-TEFC-R/S - C'FACE	SCALE 1=5			
				.XX	±.03		REF			
				.XXX	±.005		FMF			
1	TITLE BLOCK LOGO CHANGE PER ECO-0078542	MDV 06/09/2015		.XXXX	±.0005	MAT'L.	PREV			
NO.	REVISION	BY & DATE	CHK	ANG	±7'30"	FINISH				
THIS DRAWING IN DESIGN AND DETAIL IS OUR PROPERTY AND MUST NOT BE USED EXCEPT IN CONNECTION WITH OUR WORK ALL RIGHTS OF DESIGN AND INVENTION ARE RESERVED THIS IS AN ELECTRONICALLY GENERATED DOCUMENT - DO NOT SCALE THIS PRINT				RFP	CAD FILE ss88794		SIZE	DRAWING NO.	PAGE OF	REV.
				DIST	LB	A	SS88794	1	1	