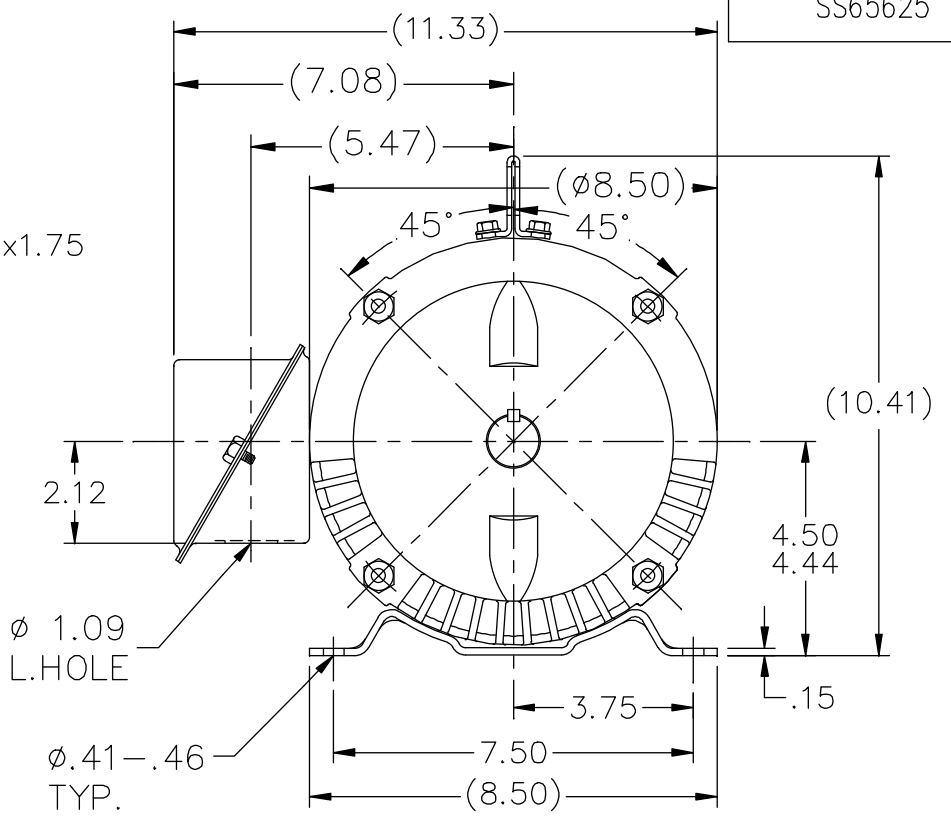
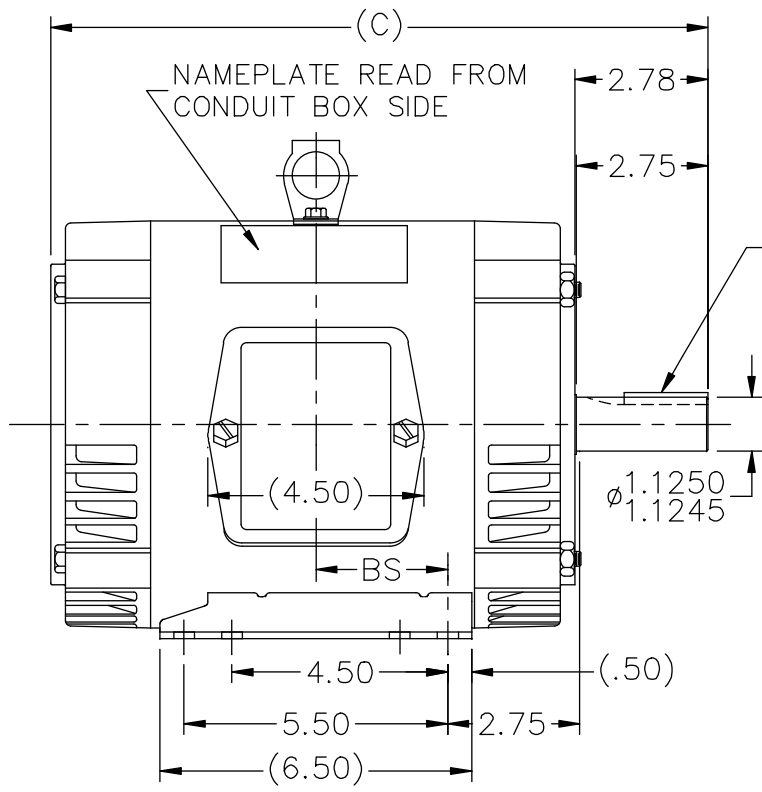
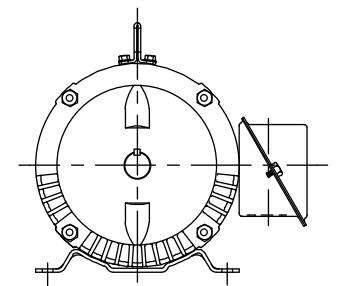


SS65625



BOX CAN BE ROTATED IN 90° STEPS.

DASH	FR.	C	BS	MOUNTING	DASH	FR.	C	BS	MOUNTING
575	182T	12.72	2.25	F1 OR F2	775	182T	14.72	3.25	F1 ONLY
625	182T	13.22	2.50	F1 OR F2	775	184T	14.72	3.25	F1 ONLY
675	182T	13.72	2.75	F1 OR F2	825	184T	15.22	3.50	F1 ONLY
675	184T	13.72	2.75	F1 OR F2	875	184T	15.72	3.75	F1 ONLY
725	182T	14.22	3.00	F1 ONLY	925	184T	16.22	4.00	F1 ONLY
725	184T	14.22	3.00	F1 ONLY					



F2 VIEW (WHEN APPLICABLE)

NO.	REVISION	BY & DATE	CHK	ANG	±'30"	TOLERANCES UNLESS SPECIFIED		MARATHON ELECTRIC	DRAWN ML 12-28-1987
						DEC.	INCHES		
14	UPDATED DRAWING	RJW 04-20-2007							CHK GK 12-28-1987
13	REDRAWN IN AUTOCAD	TAT 06-29-2004	ML	.X	±.1				APPD FG 12-28-1987
12	ADDED LIFT LUG	CN 34025 DRS 07-06-2001		.XX	±.03				SCALE 1=4
11	ADDED MOUNTING TYPE	CN 27451 DRS 02-17-2000		.XXX	±.005			TITLE OUTLINE	REF
10	CORRECTED DASH 725 & 775	CN 21725-50 BLR 01-15-1996		.XXXX	±.0005			180T FR. - BB - TS - DR. PR.	FMF
								MAT'L.	PREV
			RFP					CAD FILE ss65625	SIZE A
			DIST LB						DRAWING NO. SS65625
									PAGE OF 14
									REV. 14

THIS DRAWING IN DESIGN AND DETAIL IS OUR PROPERTY AND MUST NOT BE USED EXCEPT IN CONNECTION WITH OUR WORK ALL RIGHTS OF DESIGN AND INVENTION ARE RESERVED THIS IS AN ELECTRONICALLY GENERATED DOCUMENT - DO NOT SCALE THIS PRINT