

BALDOR® • **RELIANCE**

Product Information Packet

EM2549T

75HP,3540RPM,3PH,60HZ,364TS,4254M,OPSB,F

Part Detail							
Revision:	E	Status:	PRD/A	Change #:		Proprietary:	No
Type:	AC	Prod. Type:	4254M	Elec. Spec:	42WGW903	CD Diagram:	CD0180
Enclosure:	OPSB	Mfg Plant:		Mech. Spec:	42E212	Layout:	42LYE212
Frame:	364TS	Mounting:	F1	Poles:	02	Created Date:	01-21-2011
Base:	RG	Rotation:	R	Insulation:	F	Eff. Date:	11-07-2013
Leads:	9#6					Replaced By:	
Literature:		Elec. Diagram:					

Nameplate NP2138L						
CAT.NO.	EM2549T	P/N		ENCLOSURE	OPSB	
SPEC.	42E212W903	CC	010A	FRAME	364TS	S/N
HP	75	CLASS	F	HZ	60	
RPM	3540	PH	3	DES	B	
VOLT	230/460	KVA-CODE	G	ODE BRG	6311	DE BRG 6313
AMP	164/82	USABLE AT 208V	178			
RATING	40C AMB-CONT	GREASE	POLYREX EM			
NEMA-NOM-EFF	93.6	PF	91	SER.F.	1.15	
HTR-VOLTS		HTR-AMPS		MAX. SPACE HEATER TEMP.		

Parts List		
Part Number	Description	Quantity
SA215622	SA 42E212W903	1.000 EA
RA202812	RA 42E212W903	1.000 EA
S/P107-000-004	SUPER-E(284 FR. & UP)-CL PLANT,POLYREX E	1.000 EA
HA6360	LIFTING LUG FOR 42 FRAME MOTORS.	2.000 EA
HA6017	CAST ADAPTER, 40,42 KOBX	1.000 EA
19XW3118A12	.31-18 X .75 HEX WASHER HEAD TAPTITE II	2.000 EA
HW1001A31	LOCKWASHER 5/16, ZINC PLT.591 OD, .319 I	2.000 EA
10CB3002	CONDUIT BOX CAST W/3.625 LEAD HOLE	1.000 EA
19XW3118A12	.31-18 X .75 HEX WASHER HEAD TAPTITE II	4.000 EA
HW1001A31	LOCKWASHER 5/16, ZINC PLT.591 OD, .319 I	4.000 EA
WD1000B16	T&B CX70TN TERMINAL	1.000 EA
51XF2520A08	SCREW, HEX SER SLT HD, ZN 1/4-20 X .50 L	1.000 EA
42EP3200A01	FR ENDPLATE, MACH 324-6T	1.000 EA
HW5100A13	W4627-047 WVY WSHER	1.000 EA
42EP1202A01	STD PU ENDPLATE MODEL 42 313 BRG.	1.000 EA
10XN3816K44	3/8-16 X 2.75 HEX HD CAP SCREW, GRADE 5	4.000 EA
HW1001A38	LOCKWASHER 3/8, ZINC PLT .688 OD, .382 I	4.000 EA
XY5013A12	NUT,1/2-13,HEX,STEEL,ZINCPLATED	8.000 EA
10CB3500	CONDUIT BOX LID, CAST	1.000 EA
51XW2520A12	.25-20 X .75, TAPTITE II, HEX WSHR SLTD	4.000 EA
HW2501H18	KEY, 1/2 SQ X 2.000	1.000 EA
LB1115N	LABEL,LIFTING DEVICE (ON ROLLS)	1.000 EA
MN416A01	TAG-INSTAL-MAINT no wire (1200/bx) 10/13	1.000 EA
HW4500A03	GREASE FITTING, .125 NPT 1610(ALEMITE) 8	1.000 EA

Parts List (continued)		
Part Number	Description	Quantity
HW4500A20	1/8NPT SL PIPE PLUG	1.000 EA
HA4051A00	PLASTIC CAP FOR GREASE FITTING	1.000 EA
MJ1000A75	GREASE, POLYREX EM EXXON (USe 4824-15A)	0.030 LB
HW4500A03	GREASE FITTING, .125 NPT 1610(ALEMITE) 8	1.000 EA
HW4500A20	1/8NPT SL PIPE PLUG	1.000 EA
HA4051A00	PLASTIC CAP FOR GREASE FITTING	1.000 EA
MG1000Y03	MUNSELL 2.53Y 6.70/ 4.60, GLOSS 20,	0.050 GA
85XU0407A04	#4-7 X 1/4 DRIVE PIN	4.000 EA
42AD2001B01	BAFFLE PLATE 42 OPEN, SLOTTED BAND MTRS	1.000 EA
42AD2001B01	BAFFLE PLATE 42 OPEN, SLOTTED BAND MTRS	1.000 EA
HA3151A07	THRUBOLT STUD 1/2-13 X 20.000	4.000 EA
LB1119N	WARNING LABEL	1.000 EA
LB1125C02	SUPER-E (STOCK CTN LABEL SUPER-E WITH FL	4.000 EA
LC0181	CONNECTION LABEL	1.000 EA
NP2138L	ALUM SUPER-E UL CSA-EEV PREM CC (300	1.000 EA
40PA1000	PACKAGING GROUP	1.000 EA

Accessories		
Part Number	Description	Multiplier
42-1400	C FACE KIT	A8

AC Induction Motor Performance Data

Record # 33387 - Typical performance - not guaranteed values

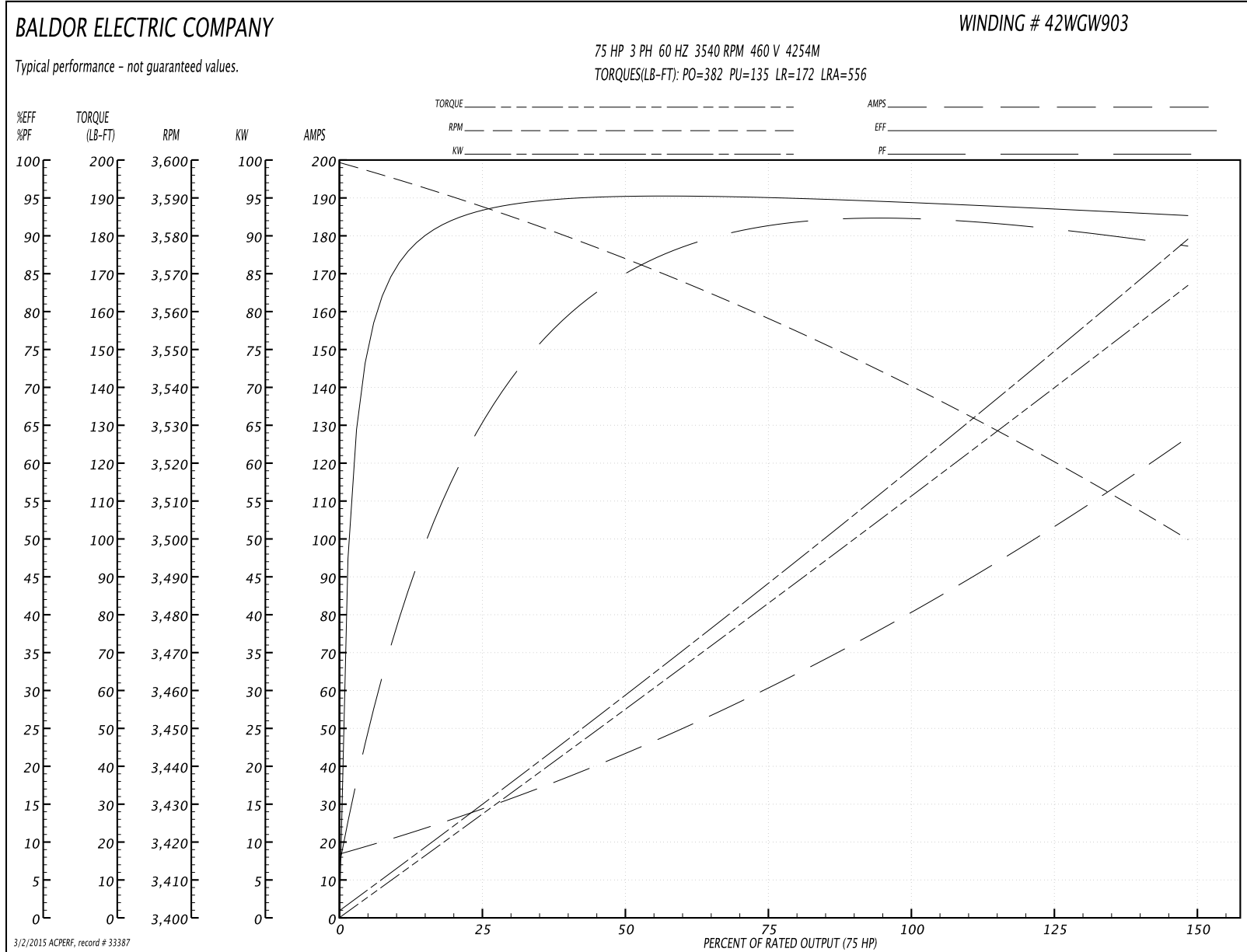
Winding: 42WGW903-R001	Type: 4254M	Enclosure: OPSB
-------------------------------	--------------------	------------------------

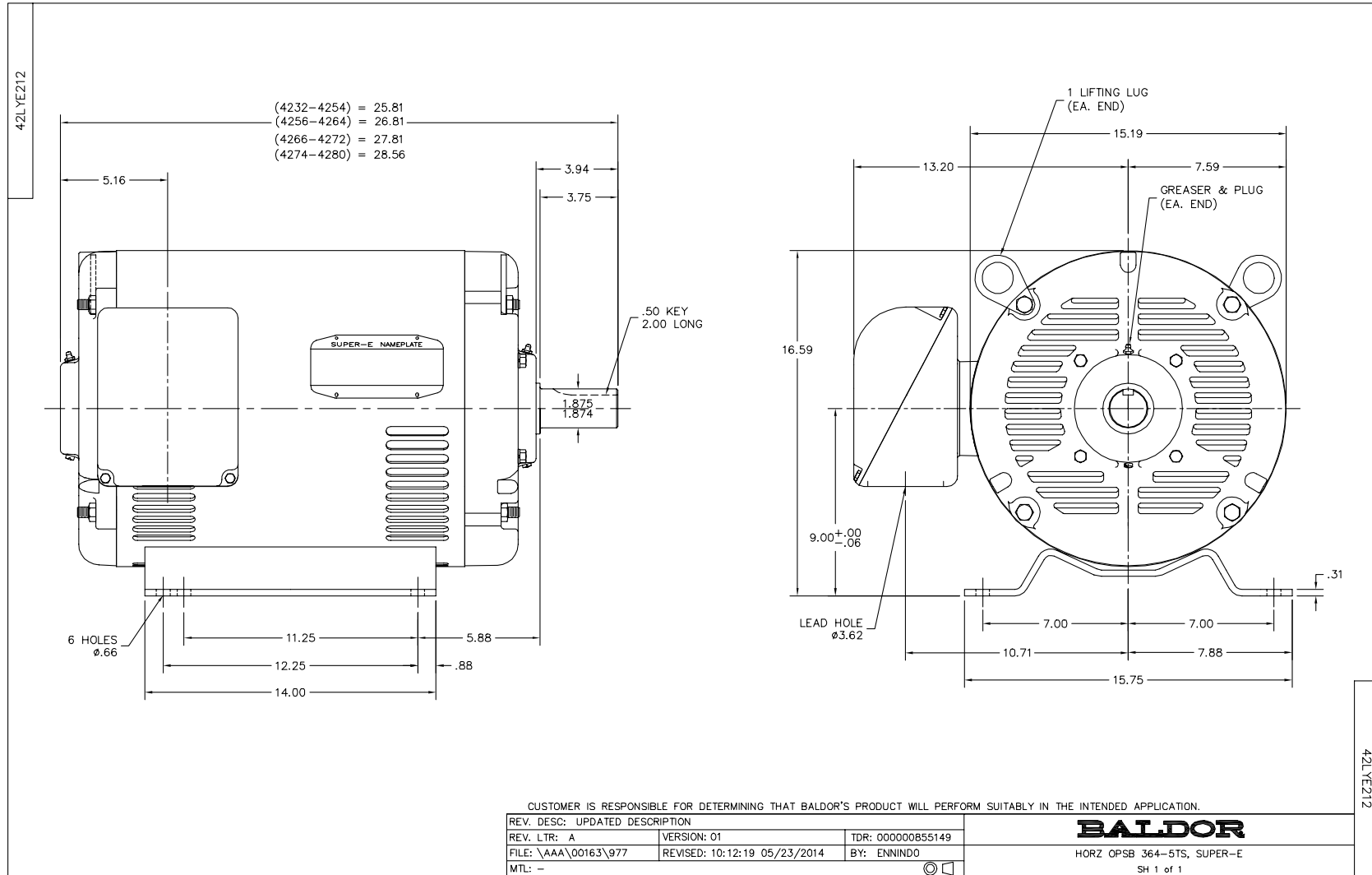
Nameplate Data				460 V, 60 Hz: High Voltage Connection	
Rated Output (HP)	75			Full Load Torque	111 LB-FT
Volts	230/460			Start Configuration	direct on line
Full Load Amps	164/82			Breakdown Torque	382 LB-FT
R.P.M.	3540			Pull-up Torque	135 LB-FT
Hz	60	Phase	3	Locked-rotor Torque	172 LB-FT
NEMA Design Code	B	KVA Code	G	Starting Current	556 A
Service Factor (S.F.)	1.15			No-load Current	18.5 A
NEMA Nom. Eff.	93.6	Power Factor	91	Line-line Res. @ 25°C	0.0817 Ω
Rating - Duty	40C AMB-CONT			Temp. Rise @ Rated Load	42°C
S.F. Amps				Temp. Rise @ S.F. Load	52°C
				Rotor inertia	4.22 LF ²

Load Characteristics 460 V, 60 Hz, 75 HP

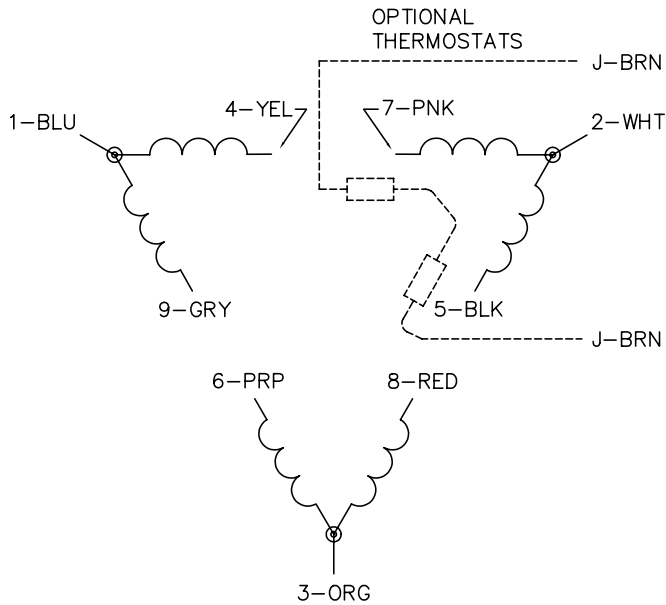
% of Rated Load	25	50	75	100	125	150	S.F.
Power Factor	72	86	90	91	90	89	90
Efficiency	93	95.1	95	94.3	93.7	92.6	94
Speed	3588	3574	3558	3540	3521	3500	3529
Line amperes	26.4	43	61.6	81.5	103	126	94.4

Performance Graph at 460V, 60Hz, 75.0HP Typical performance - Not guaranteed values

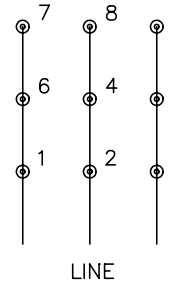




CD0180



LOW VOLTAGE
(2D)



HIGH VOLTAGE
(1D)



NOTES:

1. INTERCHANGE ANY TWO LINE LEADS TO REVERSE ROTATION.
2. OPTIONAL THERMOSTATS ARE PROVIDED WHEN SPECIFIED.
3. ACTUAL NUMBER OF INTERNAL PARALLEL CIRCUITS MAY BE A MULTIPLE OF THOSE SHOWN ABOVE.
4. LEAD COLORS ARE OPTIONAL. LEADS MUST ALWAYS BE NUMBERED AS SHOWN.

REV. DESC: REVISE TO SHOW OPTIONAL COLORS			
REV. LTR: C	BY: JLP	REVISED: 01/21/99 2:28	TDR: 0171435
0810D0		FILE: AAA00005148	MDL: -
		MTL: -	

BALDOR ELECTRIC Co.

3PH, DV, 9 LEADS, DELTA CONNECTION

CD0180