

BALDOR® • ***RELIANCE***

Product Information Packet

EM2543T

50HP, 1775RPM, 3PH, 60HZ, 326T, 4256M, OPSB, F1

Part Detail							
Revision:	Y	Status:	PRD/A	Change #:		Proprietary:	No
Type:	AC	Prod. Type:	4256M	Elec. Spec:	42WGW387	CD Diagram:	CD0180
Enclosure:	OPSB	Mfg Plant:		Mech. Spec:	42F56	Layout:	42LYF056
Frame:	326T	Mounting:	F1	Poles:	04	Created Date:	
Base:	RG	Rotation:	R	Insulation:	F	Eff. Date:	01-23-2015
Leads:	9#8					Replaced By:	
Literature:		Elec. Diagram:					

Nameplate NP2138L						
CAT.NO.	EM2543T	P/N		ENCLOSURE	OPSB	
SPEC.	42F056W387	CC	010A	FRAME	326T	S/N
HP	50	CLASS	F	HZ	60	
RPM	1775	PH	3	DES	B	
VOLT	230/460	KVA-CODE	G	ODE BRG	6311	DE BRG 6312
AMP	114/57	USABLE AT 208V	121			
RATING	40C AMB-CONT	GREASE	POLYREX EM			
NEMA-NOM-EFF	94.5	PF	87	SER.F.	1.15	
HTR-VOLTS		HTR-AMPS		MAX. SPACE HEATER TEMP.		

Parts List		
Part Number	Description	Quantity
SA010447	SA 42F056W387	1.000 EA
RA006813	RA 42F056W387	1.000 EA
S/P107-000-004	SUPER-E(284 FR. & UP)-CL PLANT,POLYREX E	1.000 EA
HA6360	LIFTING LUG FOR 42 FRAME MOTORS.	2.000 EA
HA6017	CAST ADAPTER, 40,42 KOBX	1.000 EA
19XW3118A12	.31-18 X .75 HEX WASHER HEAD TAPTITE II	2.000 EA
HW1001A31	LOCKWASHER 5/16, ZINC PLT.591 OD, .319 I	2.000 EA
10CB3001	CONDUIT BOX CAST W/2.500 LEAD HOLE	1.000 EA
19XW3118A12	.31-18 X .75 HEX WASHER HEAD TAPTITE II	4.000 EA
HW1001A31	LOCKWASHER 5/16, ZINC PLT.591 OD, .319 I	4.000 EA
WD1000B16	T&B CX70TN TERMINAL	1.000 EA
51XF2520A08	SCREW, HEX SER SLT HD, ZN 1/4-20 X .50 L	1.000 EA
42EP3200A01	FR ENDPLATE, MACH 324-6T	1.000 EA
HW5100A13	W4627-047 WVY WSHER	1.000 EA
42EP3200B02	PU ENDPLATE, MACH 324-6T	1.000 EA
XY5013A12	NUT,1/2-13,HEX,STEEL,ZINCPLATED	8.000 EA
10CB3500	CONDUIT BOX LID, CAST	1.000 EA
51XW2520A12	.25-20 X .75, TAPTITE II, HEX WSHR SLTD	4.000 EA
HW2501H33	KEY, 1/2 SQ X 3.875	1.000 EA
LB1115N	LABEL,LIFTING DEVICE (ON ROLLS)	1.000 EA
MN416A01	TAG-INSTAL-MAINT no wire (1200/bx) 10/13	1.000 EA
HA4051A00	PLASTIC CAP FOR GREASE FITTING	1.000 EA
42AD2001A01	BAFFLE PLATE 42 OPEN, SLOTTED BAND MTRS	1.000 EA
HW4500A03	GREASE FITTING, .125 NPT 1610(ALEMITE) 8	1.000 EA

Parts List (continued)		
Part Number	Description	Quantity
HW4500A20	1/8NPT SL PIPE PLUG	1.000 EA
MJ1000A75	GREASE, POLYREX EM EXXON (USe 4824-15A)	0.030 LB
HA4051A00	PLASTIC CAP FOR GREASE FITTING	1.000 EA
42AD2001A01	BAFFLE PLATE 42 OPEN, SLOTTED BAND MTRS	1.000 EA
HW4500A03	GREASE FITTING, .125 NPT 1610(ALEMITE) 8	1.000 EA
HW4500A20	1/8NPT SL PIPE PLUG	1.000 EA
HA3151A03	THRUBOLT STUD 1/2-13 X 20.5	4.000 EA
MG1000Y03	MUNSELL 2.53Y 6.70/ 4.60, GLOSS 20,	0.080 GA
85XU0407S04	4X1/4 U DRIVE PIN STAINLESS	4.000 EA
LB1119N	WARNING LABEL	1.000 EA
LB1125C02	SUPER-E (STOCK CTN LABEL SUPER-E WITH FL	4.000 EA
LC0181	CONNECTION LABEL	1.000 EA
NP2138L	ALUM SUPER-E UL CSA-EEV PREM CC (300	1.000 EA
40PA1000	PACKAGING GROUP	1.000 EA

Accessories		
Part Number	Description	Multiplier
42-1300	C FACE KIT	A8
42EP1601A01	SP'L D-FLANGE MTD. PU. E.P. MDL.42 W/BFL	P1

AC Induction Motor Performance Data

Record # 13646 - Typical performance - not guaranteed values

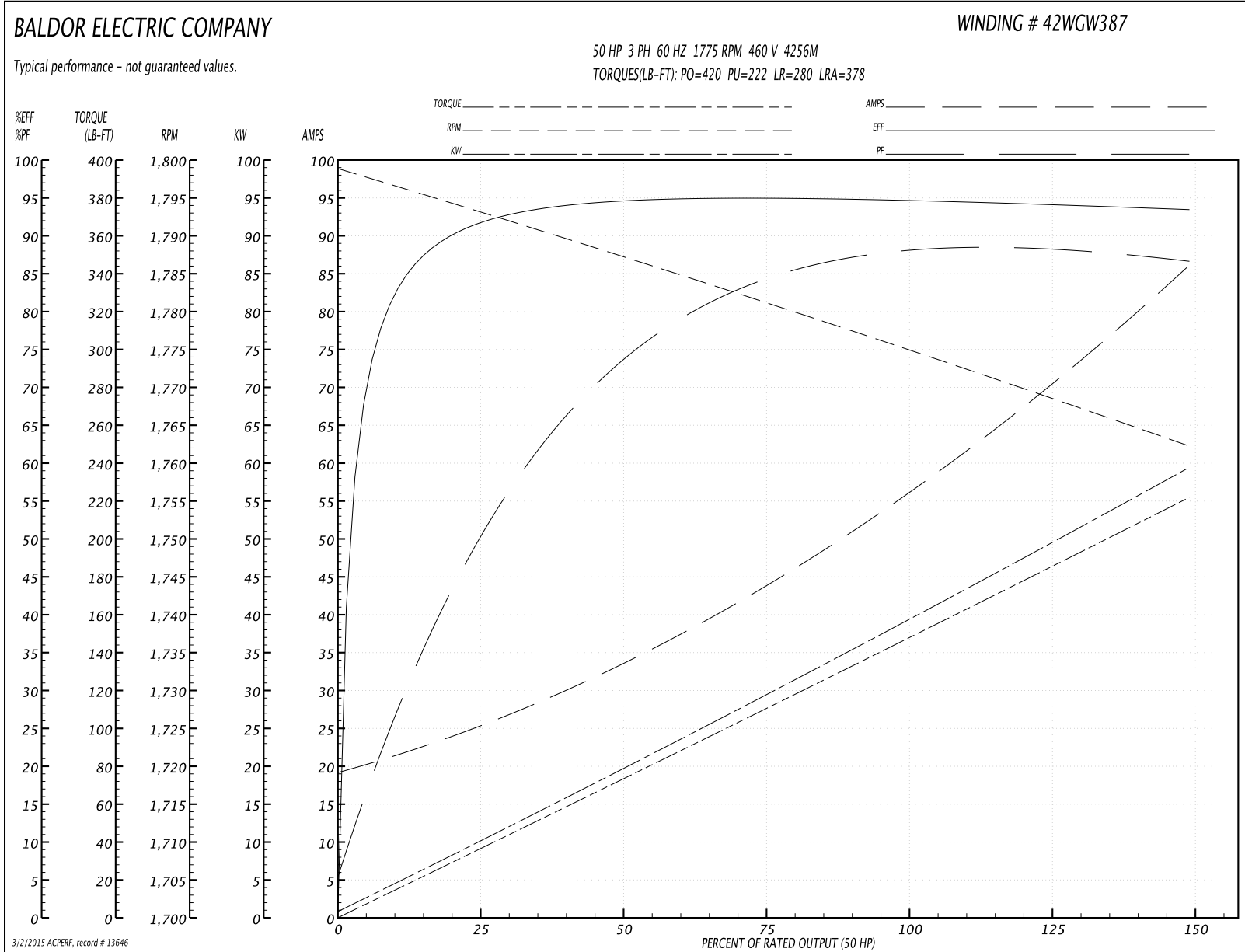
Winding: 42WGW387-R001	Type: 4256M	Enclosure: OPSB
-------------------------------	--------------------	------------------------

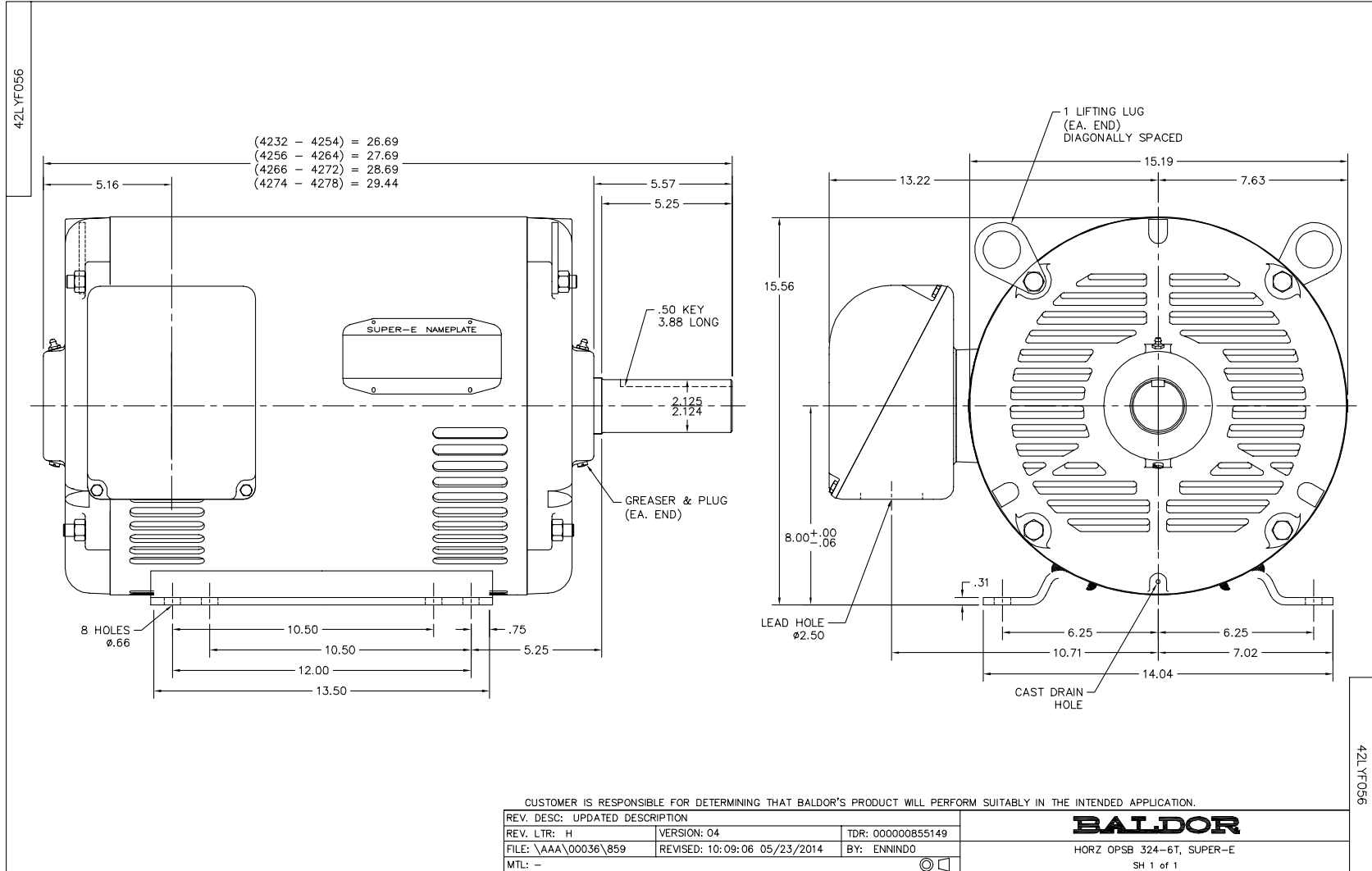
Nameplate Data				460 V, 60 Hz: High Voltage Connection	
Rated Output (HP)	50			Full Load Torque	148 LB-FT
Volts	230/460			Start Configuration	direct on line
Full Load Amps	114/57			Breakdown Torque	420 LB-FT
R.P.M.	1775			Pull-up Torque	222 LB-FT
Hz	60	Phase	3	Locked-rotor Torque	280 LB-FT
NEMA Design Code	B	KVA Code	G	Starting Current	378 A
Service Factor (S.F.)	1.15			No-load Current	20.2 A
NEMA Nom. Eff.	94.5	Power Factor	87	Line-line Res. @ 25°C	0.1208 Ω
Rating - Duty	40C AMB-CONT			Temp. Rise @ Rated Load	36°C
S.F. Amps				Temp. Rise @ S.F. Load	47°C
				Rotor inertia	7.46 LF ²

Load Characteristics 460 V, 60 Hz, 50 HP

% of Rated Load	25	50	75	100	125	150	S.F.
Power Factor	53	75	84	87	88	88	87
Efficiency	91.8	94.5	94.9	94.7	94.2	93.4	94.4
Speed	1793	1787	1781	1775	1769	1762	1771
Line amperes	24.1	33	44.3	57	70.8	85.4	65.2

Performance Graph at 460V, 60Hz, 50.0HP Typical performance - Not guaranteed values

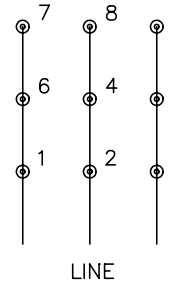




CD0180



LOW VOLTAGE
(2D)



HIGH VOLTAGE
(1D)



NOTES:

1. INTERCHANGE ANY TWO LINE LEADS TO REVERSE ROTATION.
2. OPTIONAL THERMOSTATS ARE PROVIDED WHEN SPECIFIED.
3. ACTUAL NUMBER OF INTERNAL PARALLEL CIRCUITS MAY BE A MULTIPLE OF THOSE SHOWN ABOVE.
4. LEAD COLORS ARE OPTIONAL. LEADS MUST ALWAYS BE NUMBERED AS SHOWN.

REV. DESC: REVISE TO SHOW OPTIONAL COLORS

REV. LTR: C BY: JLP

REVISED: 01/21/99 2:28

TDR: 0171435

0810D0

FILE: AAA00005148

MDL: -

MTL: -

BALDOR ELECTRIC Co.

3PH, DV, 9 LEADS, DELTA CONNECTION

CD0180