

PRODUCT INFORMATION PACKET

Model No: 056T17D15851

Catalog No: FX02BK003

FLEX-IN-1™ General Purpose Motor, 2 HP, 3 Ph, 60 Hz, 208-230/460 V, 1800 RPM, 56HC Frame, DP



Regal and Marathon are trademarks of Regal Rexnord Corporation or one of its affiliated companies.

©2022 Regal Rexnord Corporation, All Rights Reserved. MC017097E



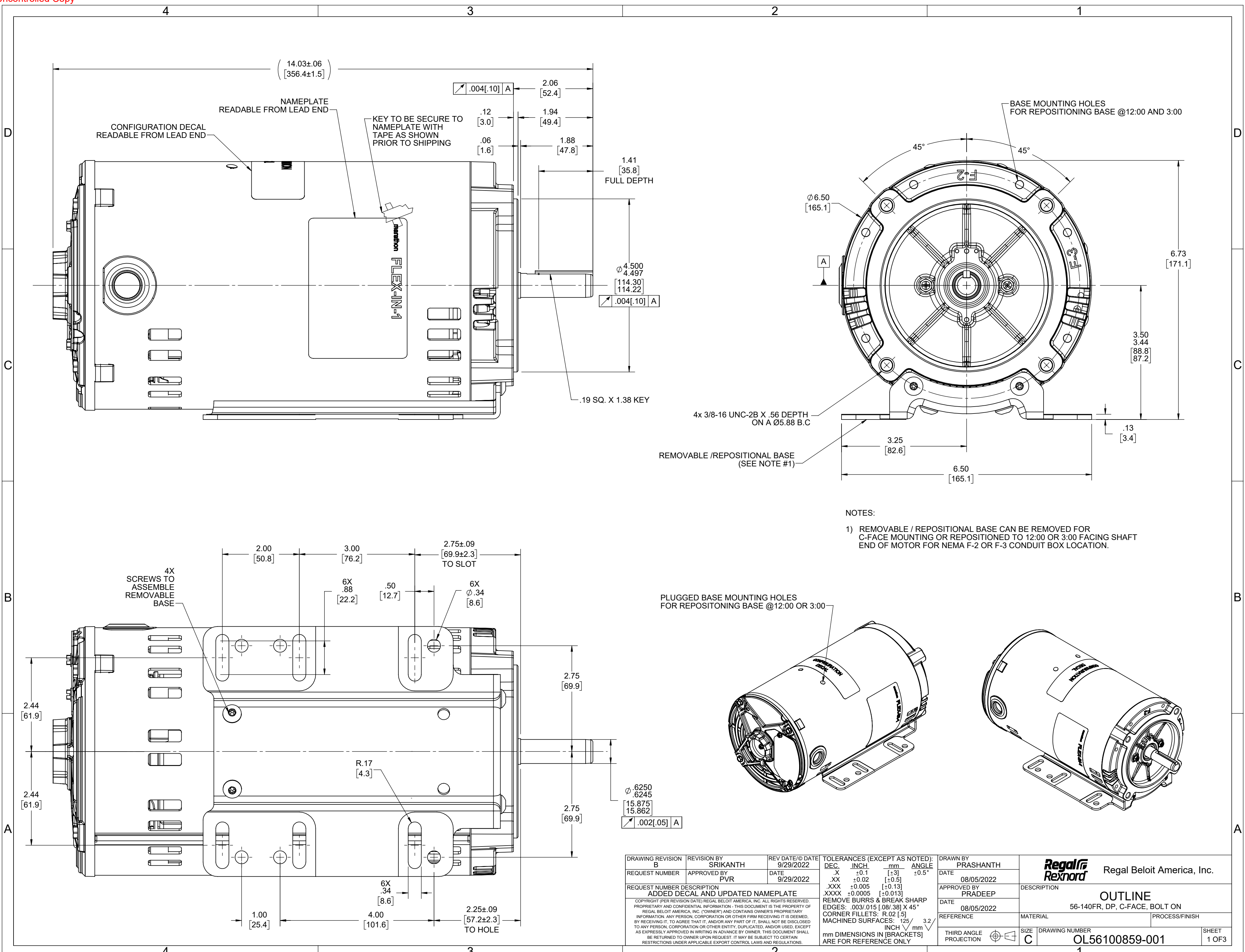
Nameplate Specifications

Output HP	2 Hp	Output KW	1.5 kW
Frequency	60 Hz	Voltage	208-230/460 V
Current	6.2-6.0/3.0 A	Speed	1725 rpm
Service Factor	1.15	Phase	3
Efficiency	86.5 %	Power Factor	74.5
Duty	Continuous	Insulation Class	F
Design Code	A	KVA Code	N
Frame	56HC	Enclosure	Drip Proof
Thermal Protection	No Protection	Ambient Temperature	40 °C
Drive End Bearing Size	6203	Opp Drive End Bearing Size	6203
UL	Recognized	CSA	Y
CE	Y	IP Code	22
Number of Speeds	1		

Technical Specifications

Electrical Type	Squirrel Cage Inverter Rated	Starting Method	Line Or Inverter
Poles	4	Rotation	Reversible
Resistance Main	6.4 Ohms	Mounting	Bolt-on Base
Motor Orientation	Horizontal	Drive End Bearing	Ball
Opp Drive End Bearing	Ball	Frame Material	Rolled Steel
Shaft Type	NEMA 56	Shaft Diameter	0.625 in
Assembly/Box Mounting	F1 ONLY	Inverter Load	CONSTANT 2:1
Outline Drawing	OL56100859-001	Connection Drawing	CDTD127

This is an uncontrolled document once printed or downloaded and is subject to change without notice. Date Created:11/23/2022



NAMEPLATE READABLE FROM LEAD END

CONFIGURATION DECAL READABLE FROM LEAD END

KEY TO BE SECURE TO NAMEPLATE WITH TAPE AS SHOWN PRIOR TO SHIPPING

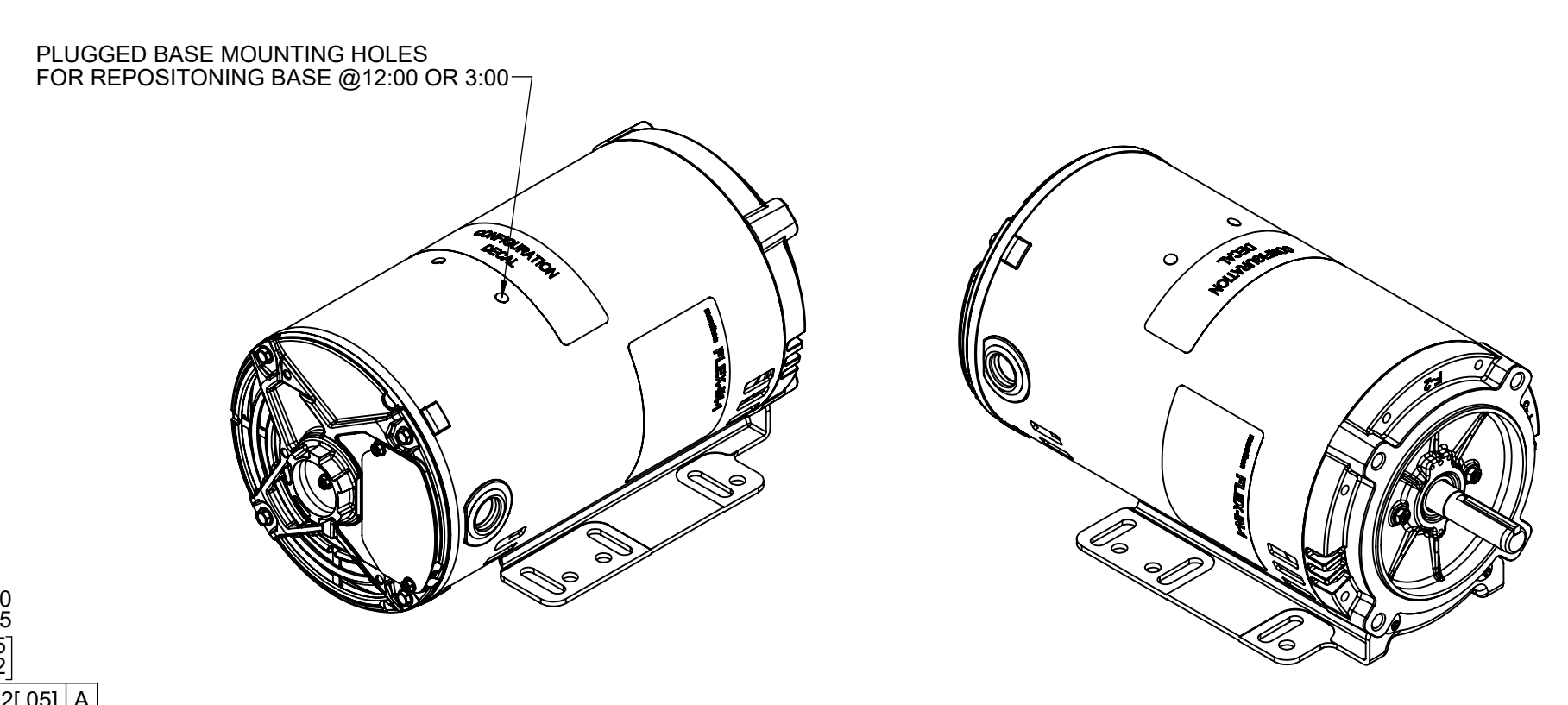
BASE MOUNTING HOLES FOR REPOSITIONING BASE @12:00 AND 3:00

4x 3/8-16 UNC-2B X .56 DEPTH ON A Ø5.88 B.C

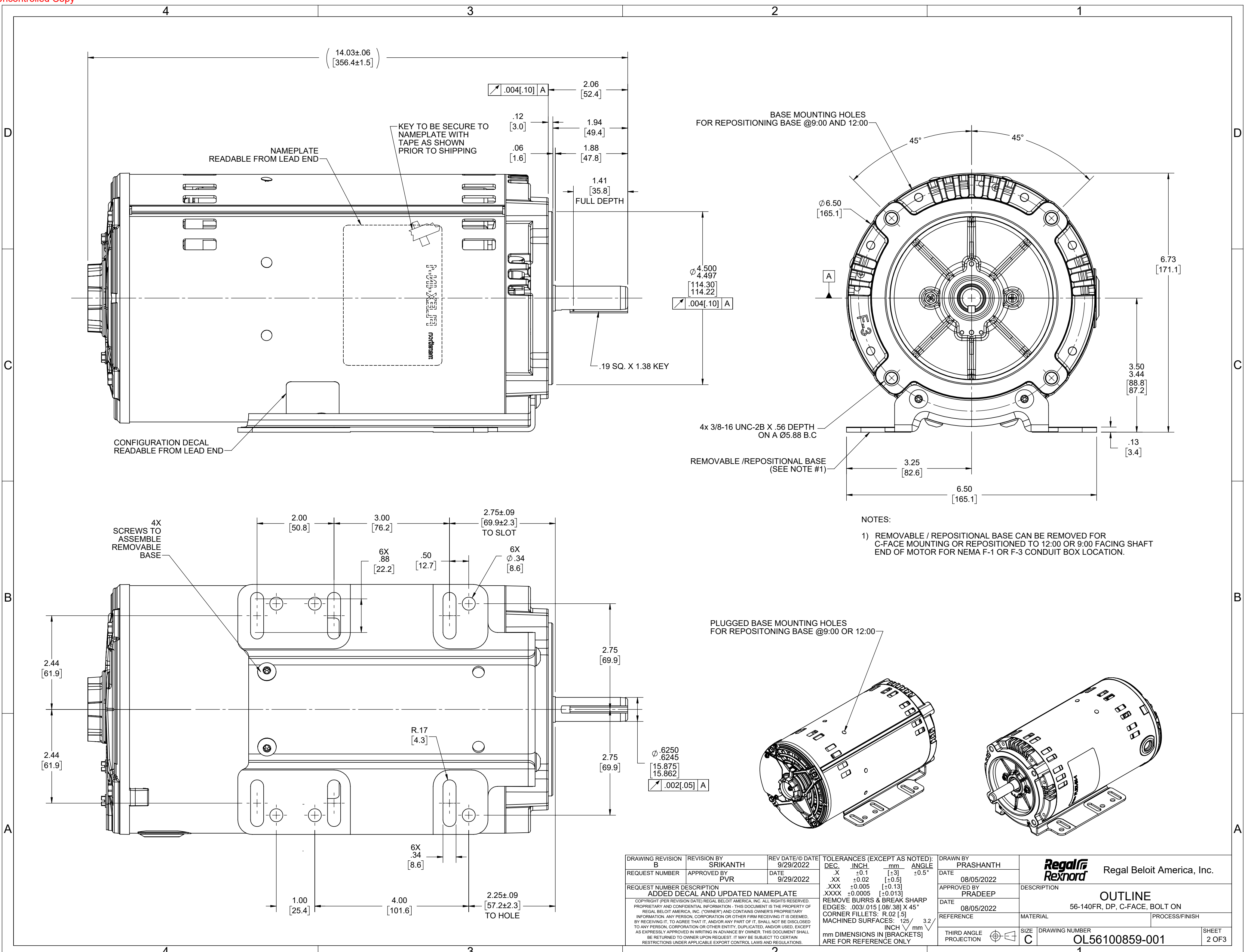
REMOVABLE /REPOSITIONAL BASE (SEE NOTE #1)

NOTES:

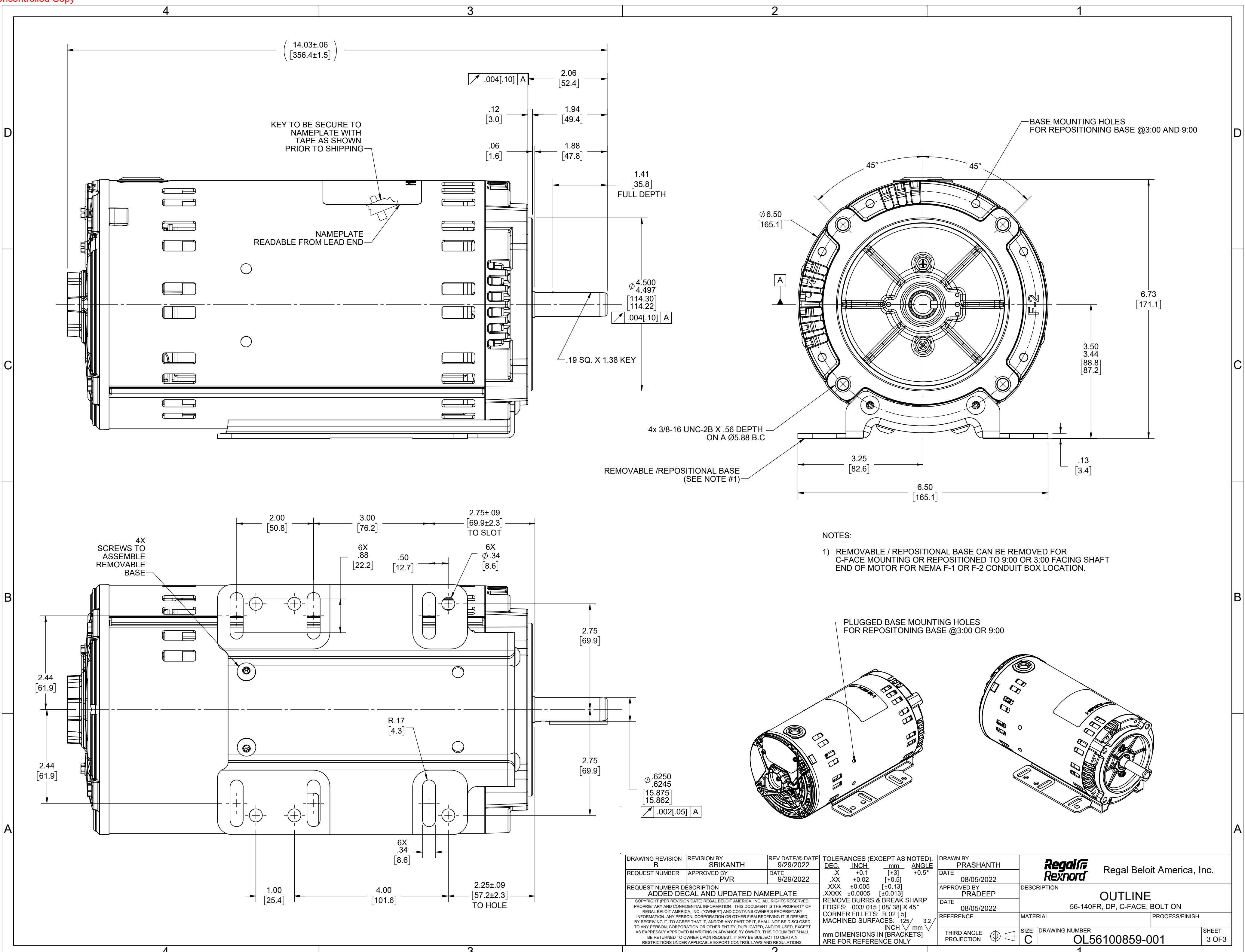
1) REMOVABLE / REPOSITIONAL BASE CAN BE REMOVED FOR C-FACE MOUNTING OR REPOSITIONED TO 12:00 OR 3:00 FACING SHAFT END OF MOTOR FOR NEMA F-2 OR F-3 CONDUIT BOX LOCATION.



DRAWING REVISION B	REVISION BY SRIKANTH	REV DATE/© DATE 9/29/2022	TOLERANCES (EXCEPT AS NOTED):		DRAWN BY PRASHANTH	Regal Beloit America, Inc.
REQUEST NUMBER	APPROVED BY PVR	DATE 9/29/2022	DEC.	INCH	DATE 08/05/2022	
REQUEST NUMBER DESCRIPTION ADDED DECAL AND UPDATED NAMEPLATE			.X	±0.1	[±3]	DESCRIPTION OUTLINE
COPYRIGHT (PER REVISION DATE) REGAL BELOIT AMERICA, INC. ALL RIGHTS RESERVED. PROPRIETARY AND CONFIDENTIAL INFORMATION - THIS DOCUMENT IS THE PROPERTY OF REGAL BELOIT AMERICA, INC. ("OWNER") AND CONTAINS OWNER'S PROPRIETARY INFORMATION. ANY PERSON, CORPORATION OR OTHER FIRM RECEIVING IT IS DEEMED, BY RECEIVING IT, TO AGREE THAT IT, AND/OR ANY PART OF IT, SHALL NOT BE DISCLOSED TO ANY PERSON, CORPORATION OR OTHER ENTITY, DUPLICATED, AND/OR USED, EXCEPT AS EXPRESSLY APPROVED IN WRITING IN ADVANCE BY OWNER. THIS DOCUMENT SHALL BE RETURNED TO OWNER UPON REQUEST. IT MAY BE SUBJECT TO CERTAIN RESTRICTIONS UNDER APPLICABLE EXPORT CONTROL LAWS AND REGULATIONS.			.XX	±0.02	[±0.5]	MATERIAL 56-140FR, DP, C-FACE, BOLT ON
			.XXX	±0.005	[±0.13]	APPROVED BY PRADEEP
			.XXXX	±0.0005	[±0.013]	SIZE C
			REMOVE BURRS & BREAK SHARP EDGES: .003/.015 [.08/.38] X 45° CORNER FILLETS: R.02 [.5] MACHINED SURFACES: ±.125 /mm 3.2 INCH √ mm		DATE 08/05/2022	DRAWING NUMBER OL56100859-001
			mm DIMENSIONS IN [BRACKETS] ARE FOR REFERENCE ONLY		REFERENCE	SHEET 1 OF 3
			THIRD ANGLE PROJECTION		SIZE	



DRAWING REVISION B	REVISION BY SRIKANTH	REV DATE/DATE 9/29/2022	TOLERANCES (EXCEPT AS NOTED): DEC. INCH mm ANGLE .X ±0.1 [±3] ±0.5° .XX ±0.02 [±0.5] .XXX ±0.005 [±0.13] .XXXX ±0.0005 [±0.013]	DRAWN BY PRASHANTH	Regal Beloit America, Inc.
REQUEST NUMBER	APPROVED BY PVR	DATE 9/29/2022	REMOVE BURRS & BREAK SHARP EDGES: .003/.015 [.08/.38] X 45° CORNER FILLETS: R.02 [5] MACHINED SURFACES: $\sqrt{.125}$ [3.2] INCH / mm mm DIMENSIONS IN [BRACKETS] ARE FOR REFERENCE ONLY	DATE 08/05/2022	
REQUEST NUMBER DESCRIPTION ADDED DECAL AND UPDATED NAMEPLATE				APPROVED BY PRADEEP	MATERIAL
<small>COPYRIGHT (PER REVISION DATE) REGAL BELOIT AMERICA, INC. ALL RIGHTS RESERVED. PROPRIETARY AND CONFIDENTIAL INFORMATION - THIS DOCUMENT IS THE PROPERTY OF REGAL BELOIT AMERICA, INC. (OWNER) AND CONTAINS OWNER'S PROPRIETARY INFORMATION. ANY PERSON, CORPORATION OR OTHER FIRM RECEIVING IT IS DEEMED, BY RECEIVING IT, TO AGREE THAT IT, AND/OR ANY PART OF IT, SHALL NOT BE DISCLOSED TO ANY PERSON, CORPORATION OR OTHER ENTITY, DUPLICATED, AND/OR USED, EXCEPT AS EXPRESSLY APPROVED IN WRITING IN ADVANCE BY OWNER. THIS DOCUMENT SHALL BE RETURNED TO OWNER UPON REQUEST. IT MAY BE SUBJECT TO CERTAIN RESTRICTIONS UNDER APPLICABLE EXPORT CONTROL LAWS AND REGULATIONS.</small>				DATE 08/05/2022	PROCESS/FINISH
				REFERENCE	
				THIRD ANGLE PROJECTION	SIZE C
					DRAWING NUMBER OL56100859-001
					SHEET 2 OF 3



NOTES:
 1) REMOVABLE / REPOSITIONAL BASE CAN BE REMOVED FOR C-FACE MOUNTING OR REPOSITIONED TO 9:00 OR 3:00 FACING SHAFT END OF MOTOR FOR NEMA F-1 OR F-2 CONDUIT BOX LOCATION.

DRAWING REVISION B	REVISION BY SRIKANTH	REV DATE/© DATE 9/29/2022	TOLERANCES (EXCEPT AS NOTED):		DRAWN BY PRASHANTH	Regal Beloit America, Inc.
REQUEST NUMBER	APPROVED BY PVR	DATE 9/29/2022	DEC. .X ±0.1 [±3]	INCH .XX ±0.02 [±0.5]	DATE 08/05/2022	
REQUEST NUMBER DESCRIPTION ADDED DECAL AND UPDATED NAMEPLATE			.XXX ±0.005 [±0.13]	mm .XXX ±0.005 [±0.13]	APPROVED BY PRADEEP	DESCRIPTION OUTLINE
COPYRIGHT (PER REVISION DATE) REGAL BELOIT AMERICA, INC. ALL RIGHTS RESERVED. PROPRIETARY AND CONFIDENTIAL INFORMATION - THIS DOCUMENT IS THE PROPERTY OF REGAL BELOIT AMERICA, INC. ("OWNER") AND CONTAINS OWNER'S PROPRIETARY INFORMATION. ANY PERSON, CORPORATION OR OTHER FIRM RECEIVING IT IS DEEMED, BY RECEIVING IT, TO AGREE THAT IT, AND/OR ANY PART OF IT, SHALL NOT BE DISCLOSED TO ANY PERSON, CORPORATION OR OTHER ENTITY, DUPLICATED, AND/OR USED, EXCEPT AS EXPRESSLY APPROVED IN WRITING IN ADVANCE BY OWNER. THIS DOCUMENT SHALL BE RETURNED TO OWNER UPON REQUEST. IT MAY BE SUBJECT TO CERTAIN RESTRICTIONS UNDER APPLICABLE EXPORT CONTROL LAWS AND REGULATIONS.			REMOVE BURRS & BREAK SHARP EDGES: .003/.015 [Ø8/.38] X 45°		DATE 08/05/2022	MATERIAL 56-140FR, DP, C-FACE, BOLT ON
			MACHINED SURFACES: .125 /mm 3.2 /mm		REFERENCE	PROCESS/FINISH
			mm DIMENSIONS IN [BRACKETS] ARE FOR REFERENCE ONLY		THIRD ANGLE PROJECTION	DRAWING NUMBER OL56100859-001
					SIZE C	SHEET 3 OF 3

4

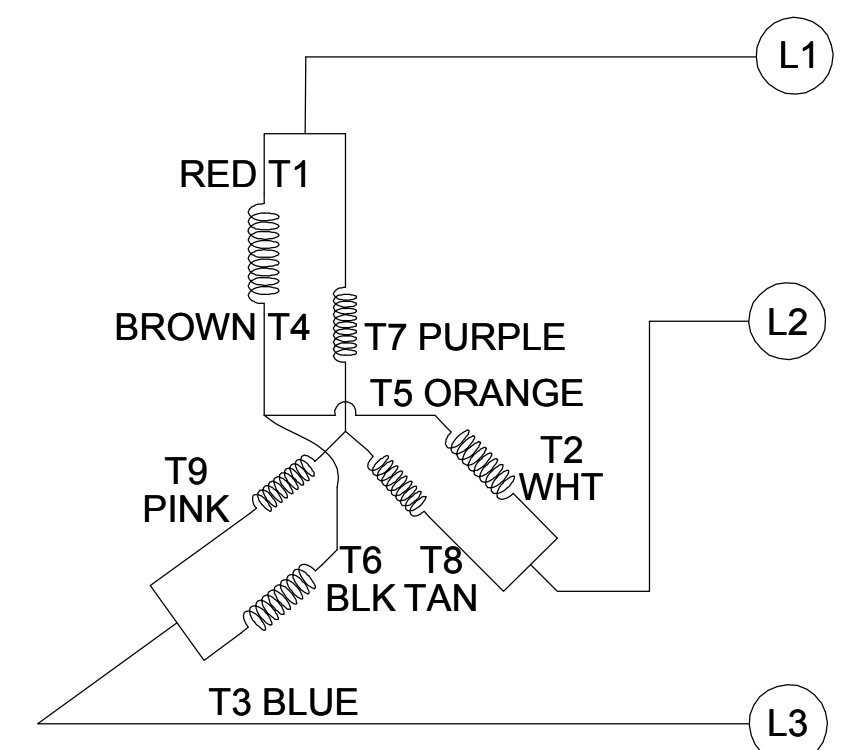
3

2

1

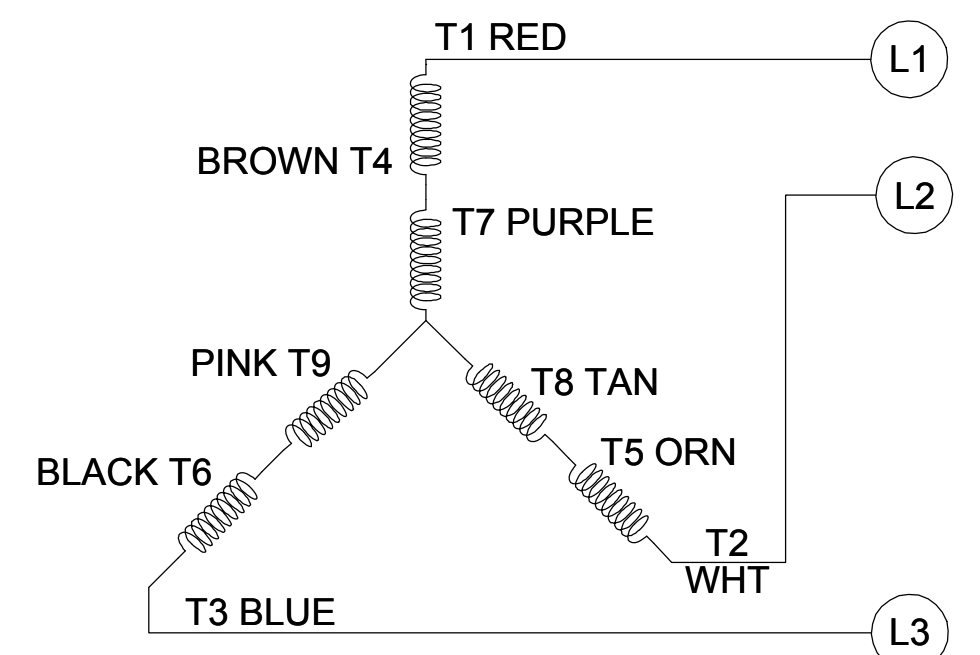
001

CCW LOW VOLTAGE



002

CCW HIGH VOLTAGE

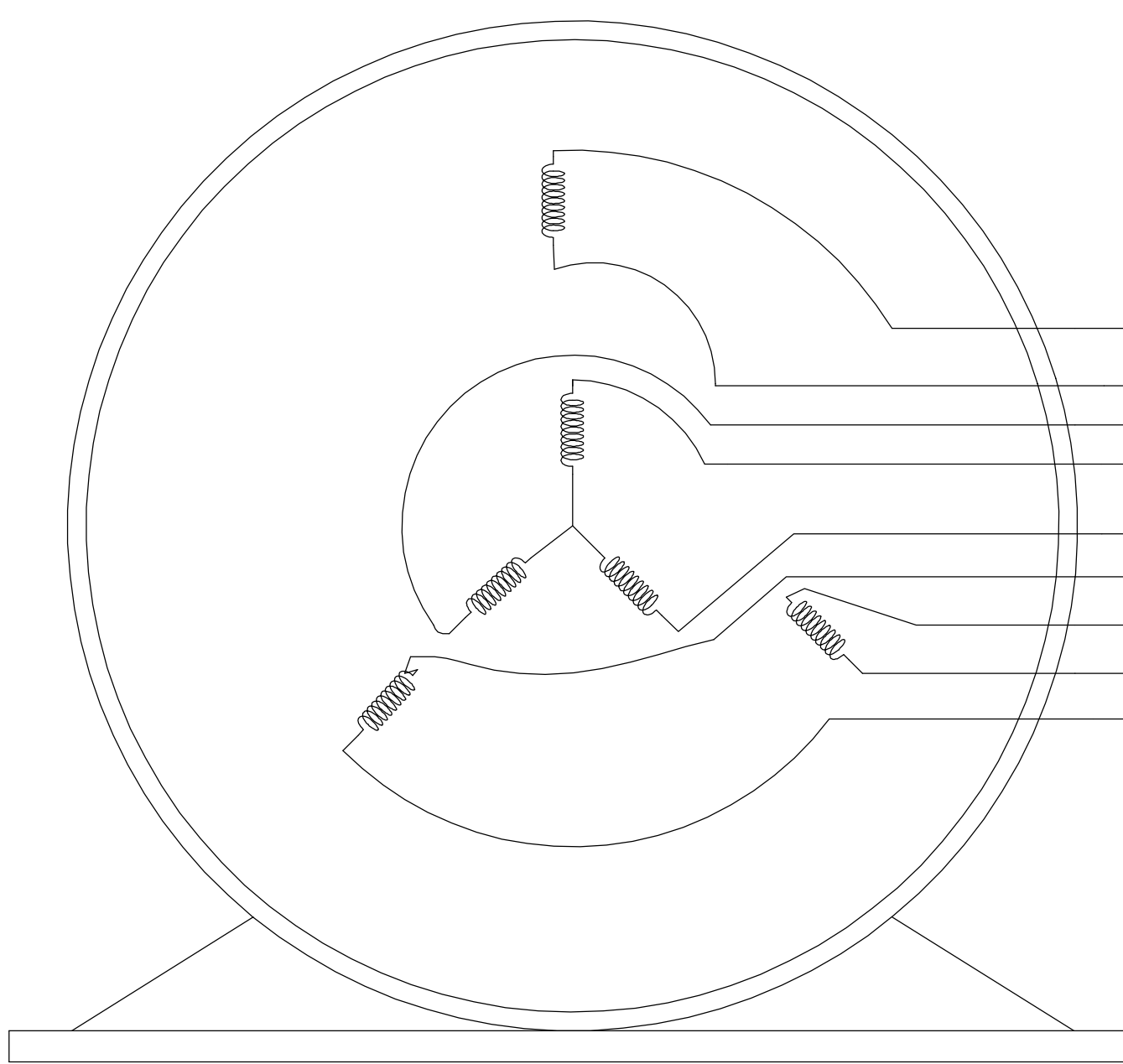


B

B

A

A



- T1 RED
- T4 BROWN
- T9 PINK
- T7 PURPLE
- T8 TAN
- T6 BLACK
- T5 ORANGE
- T2 WHITE
- T3 BLUE

VIEW OF TERMINAL END

NOTE:

1. TO REVERSE ROTATION, INTERCHANGE ANY TWO LINE CONNECTIONS TO L1, L2, OR L3.
2. CONNECTION DIAGRAM-NAMEPLATE DD10123-001 - CCWLE DD10199-001 - CWLE

DRAWING REVISION D	REVISION BY SHESHI	DATE 01/11/2019
ECO ECO-0159881	APPROVED BY CD	DATE 01/11/2019
ECO DESCRIPTION ADDED DD10199-001		
<small>COPYRIGHT REGAL BELOIT AMERICA, INC. ALL RIGHTS RESERVED. PROPRIETARY AND CONFIDENTIAL INFORMATION - THIS DOCUMENT IS THE PROPERTY OF REGAL BELOIT AMERICA, INC. ("OWNER") AND CONTAINS OWNER'S PROPRIETARY INFORMATION. ANY PERSON, CORPORATION OR OTHER FIRM RECEIVING IT IS DEEMED, BY RECEIVING IT, TO AGREE THAT IT, AND/OR ANY PART OF IT, SHALL NOT BE DISCLOSED TO ANY PERSON, CORPORATION OR OTHER ENTITY, DUPLICATED, AND/OR USED, EXCEPT AS EXPRESSLY APPROVED IN WRITING IN ADVANCE BY OWNER. THIS DOCUMENT SHALL BE RETURNED TO OWNER UPON REQUEST. IT MAY BE SUBJECT TO CERTAIN RESTRICTIONS UNDER APPLICABLE EXPORT CONTROL LAWS AND REGULATIONS.</small>		

TOLERANCES UNLESS OTHERWISE SPECIFIED:			
DEC.	INCH	mm	ANGLE
.X	±0.1	[±2.5]	±0.5°
.XX	±0.01	[±0.25]	
.XXX	±0.005	[±0.127]	
.XXXX	±0.0005	[±0.0127]	
REMOVE BURRS & BREAK SHARP EDGES: .003/.015 [.076/.381] CORNER FILLETS: .02 [.51] MACHINED SURFACES: 125 INCH 3.2 mm SHOWN IN [BRACKETS]			

DRAWN BY G. RODRIGUEZ	DATE 12-01-2017
APPROVED BY J. A. MORENO	DATE 12-01-2017
REFERENCE CDTD103	THIRD ANGLE PROJECTION

REGAL ™ Regal Beloit America, Inc.	
DESCRIPTION CONN DIAGRAM-EXTERNAL	
MATERIAL	PROCESS/FINISH
SIZE B	DRAWING NUMBER CDTD127
SHEET 1 OF 1	

4

3

2

1