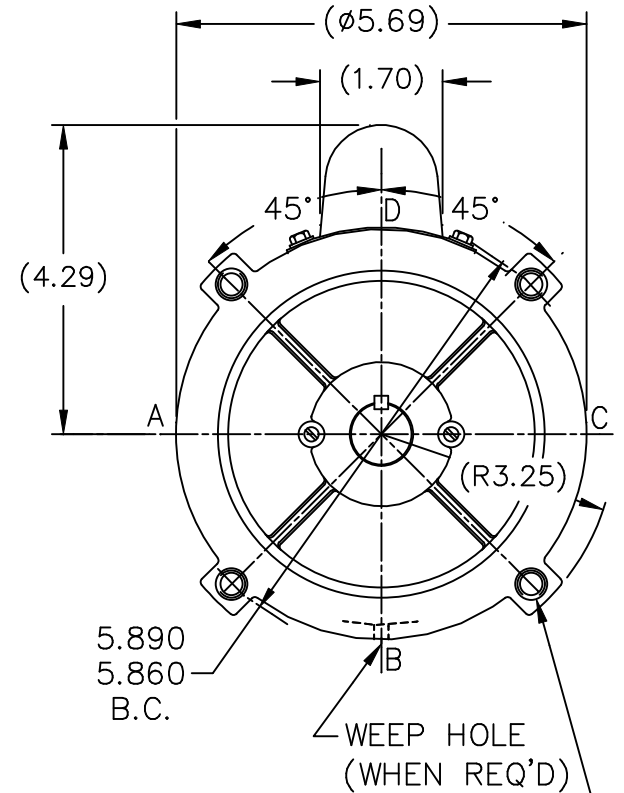


'W' = CLEARANCE ALLOWED FOR ALL VARIANCES
IN MANUFACTURING & ASSEMBLY



DASH	FR	C	AG	DASH	FR	C	AG	DASH	FR	C	AG
625	48	10.19	8.12	700	48	10.94	8.88	800	48	11.94	9.88
650	48	10.44	8.37	725	48	11.19	9.13				
675	48	10.69	8.63	775	48	11.69	9.63				

5	UPDATED DRAWING			TJW	04/20/2007	TOLERANCES UNLESS SPECIFIED			DRAWN RM 10-09-1992				
4	ADDED NOTE TO WEEP HOLE (WHEN REQ'D)			BJK	08-20-2002	MJS	DEC. INCHES		CHK MOL 10-09-1992				
	MU43025/43027						.X ±.1	APPD JAY 10-12-1992					
3	ADDED NEW FRONT BRACKET			CN 20124	RJM	04-04-1995	.XX ±.03	TITLE OUTLINE	SCALE 3=8				
2	ADD NOTE: OIL PLUG WHEN REQ'D			4009035	DD	04-12-1993	.XXX ±.005	REF					
1	NEW DRAWING			3958926	RM	10-14-1992	.XXXX ±.0005	MAT'L.	FMF				
NO.	REVISION			BY & DATE	CHK	ANG	±7'30"	FINISH	PREV				
THIS DRAWING IN DESIGN AND DETAIL IS OUR PROPERTY AND MUST NOT BE USED EXCEPT IN CONNECTION WITH OUR WORK ALL RIGHTS OF DESIGN AND INVENTION ARE RESERVED THIS IS AN ELECTRONICALLY GENERATED DOCUMENT - DO NOT SCALE THIS PRINT						RFP	CAD FILE ss75606			SIZE A	DRAWING NO. SS75606	PAGE OF 5	REV. 5
						DIST WP							