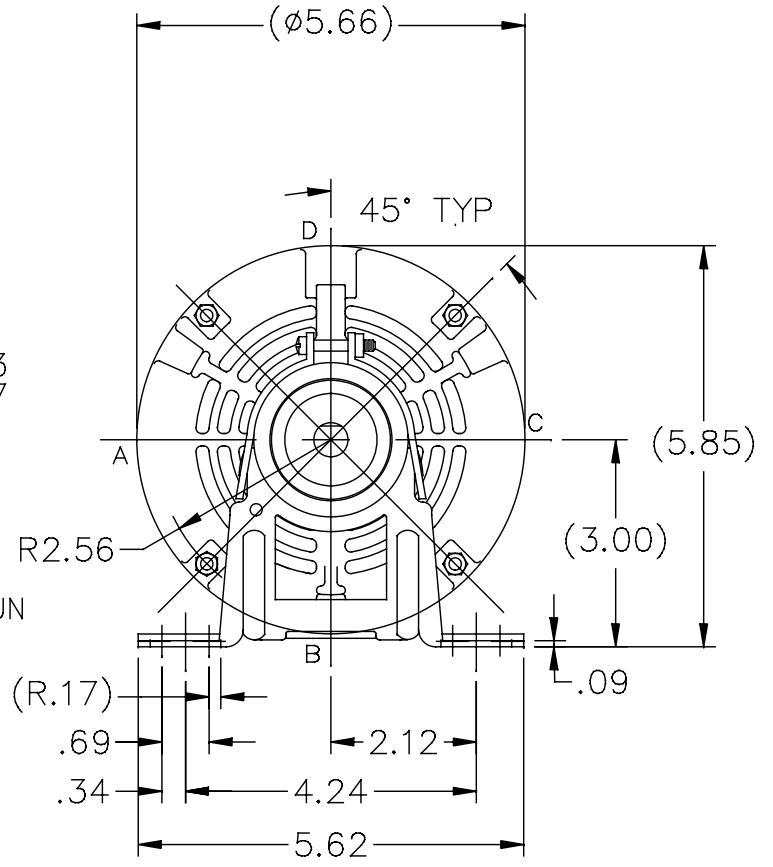
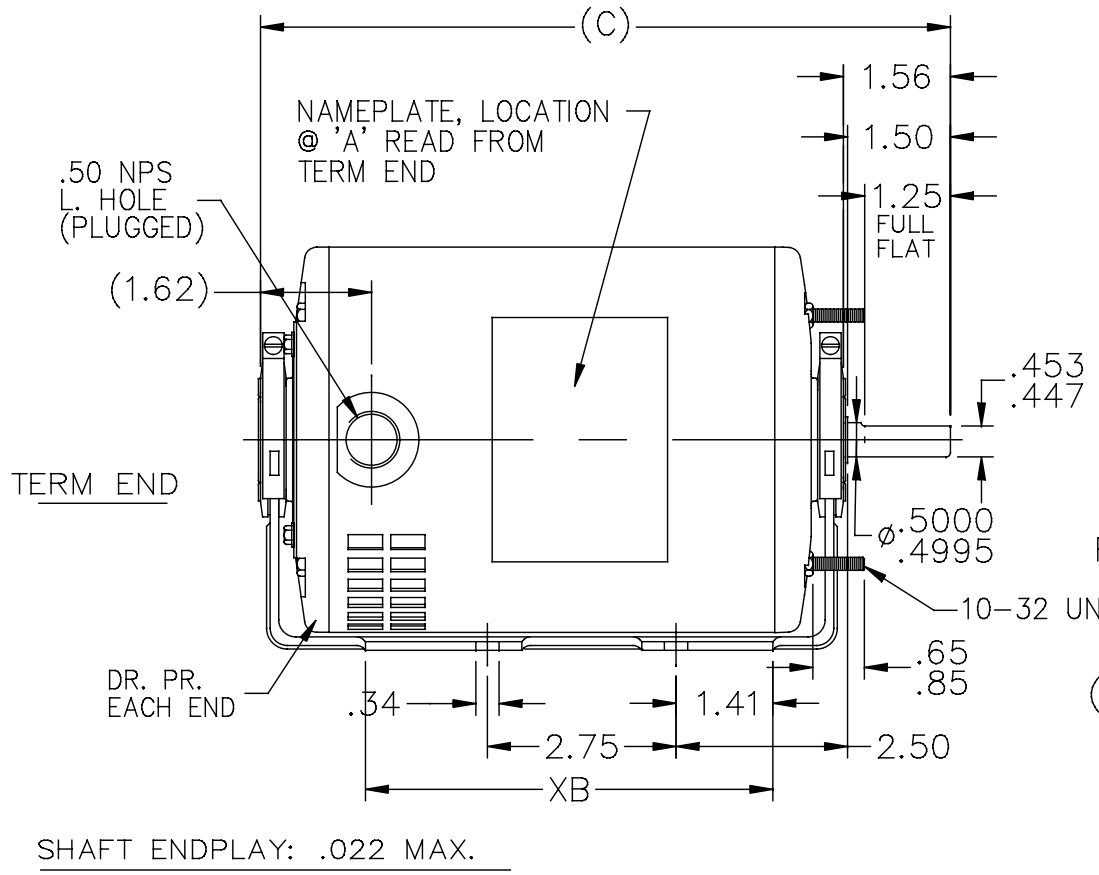


SS403898



DASH	C	XB
550	9.06	5.69
575	9.31	5.94

		TOLERANCES UNLESS SPECIFIED		<b>REGAL™</b> Regal Beloit America, Inc.		DRAWN PVR 07/25/14		
		DEC.	INCHES			CHK PVK 07/25/14		
		.X	±.1	TITLE OUTLINE		APPD		
		.XX	±.03			SCALE 3=8		
		.XXX	±.005			REF		
A	REMOVED OIL PLUG NOTE ECO-0080579	PST 06/29/15	AP .XXXX ±.0005	MAT'L.			FMF	
NO.	REVISION	BY & DATE	CHK ANG ±7'30"	FINISH			PREV	
THIS DRAWING IN DESIGN AND DETAIL IS OUR PROPERTY AND MUST NOT BE USED EXCEPT IN CONNECTION WITH OUR WORK ALL RIGHTS OF DESIGN AND INVENTION ARE RESERVED THIS IS AN ELECTRONICALLY GENERATED DOCUMENT - DO NOT SCALE THIS PRINT				RFP	CAD FILE SS403898	SIZE A	DRAWING NO. PAGE 1 OF 1	REV. A
				DIST WP			SS403898	